

TECTUS

TE 626/640 3D A8 BW/1

Mounting brackets for heavy-duty doors with claddings up to 20 mm (0.787") on both sides

Receiver Commercial frame

Product Features

- Load capacity of 160 kg (352 lbs.) in combination with TE 626 3D A8
- Load capacity of 120 kg (264 lbs.) in combination with TE 640 3D A8

Finishes

stainless steel (O40), satin chrome look (F1) (124), satin nickel look (F2) (125), stainless steel look (SSL) (126), matte deep black (107), traffic white (070), other finishes available upon request

Combinations

Hinge	TE 640 3D A8
	TE 626 3D A8
	TE 640 3D A8 Energy Kit
	TE 626 3D A8 Energy Kit

Installation Tools

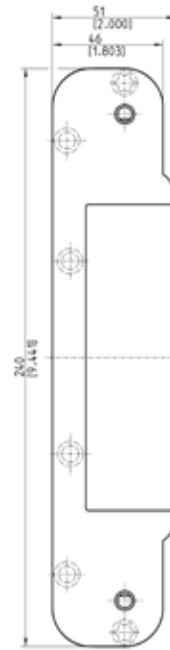
Template 5 251165 5	3/4" router bit / 1" collar ring
---------------------	----------------------------------

Note

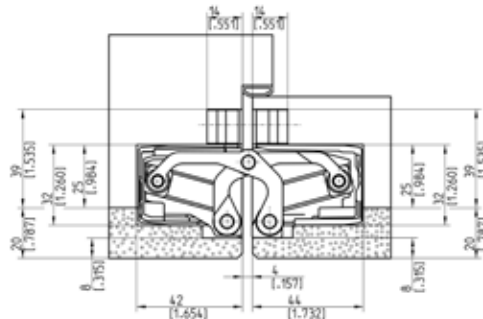
The load capacity mentioned above refers to the use of 2 hinges per door leaf with a height/width ratio of 2:1.

The cladding material where the hinge will be installed, must be removed in order for the bracket to be installed.

For optimum opening, the lock side of the door leaf may need to be chamfered or beveled. This bracket can be used for doors with standard cladding thickness of 3/4" on both sides. The mounting brackets are sold individually.



e.g. TE 640 3D A8 BW/1



e.g. TE 640 3D A8 with TE 640 3D A8 BW/1

