

B ——— W

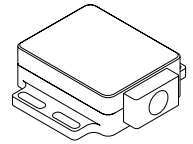
Magnetic Touch Latch

Accurate MTL23-US19



PROJECT :
OPENING ID :
SPECIFIER :
ISSUE DATE :

SET INCLUDES :
MTL23 Magnetic Touch Latch
Strike plate included in matching finish
All fasteners included in matching finish



NOTES :

CSI DIVISION : 08

Magnetic Touch Latch

dimensions in inches

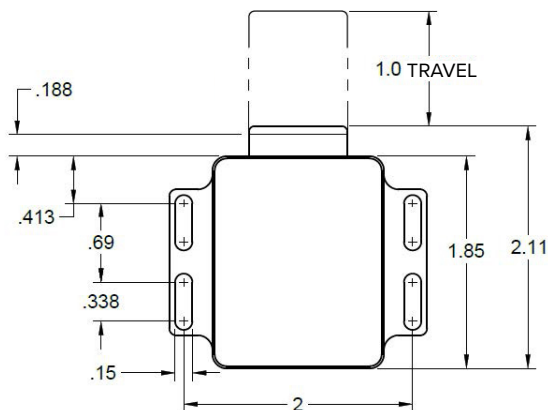
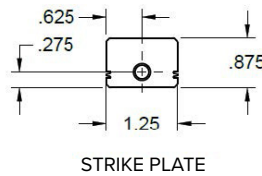
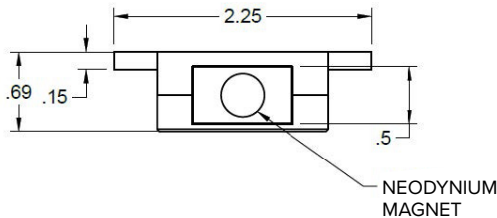
Component ID : MTL23-US19

ACCURATE MTL23

The innovative magnetic touch latch is designed to be used on a full-sized door with no visible hardware or strike plate for a clean appearance.

FEATURES :

- Spring force : 10 lbs
- Magnetic pull force : 6 lbs
- 1" bolt extension
- 2 mm (.08 in) travel required to release
- Black anodized aluminum finish
- Individually machined and tested in the USA



NOTES :

1. Install strike plate with #6 flat head screw, use 4x #6 pan head screws to secure latch.
2. A stop block or door stop must be used. Locate .188" forward of latch, adjust latch location using provided slots.