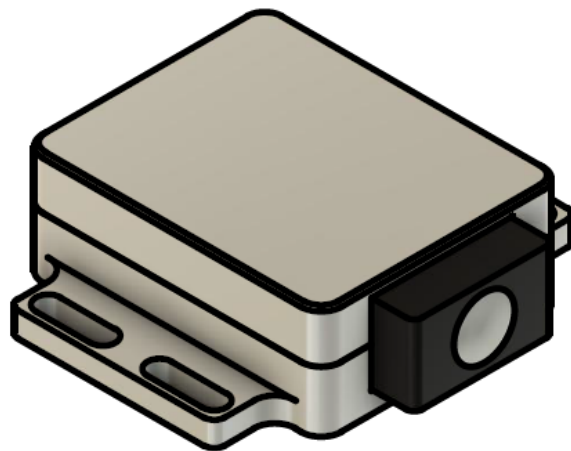




MTL23 Magnetic Touch Latch



Magnetic Touch Latch

Part No. MTL23

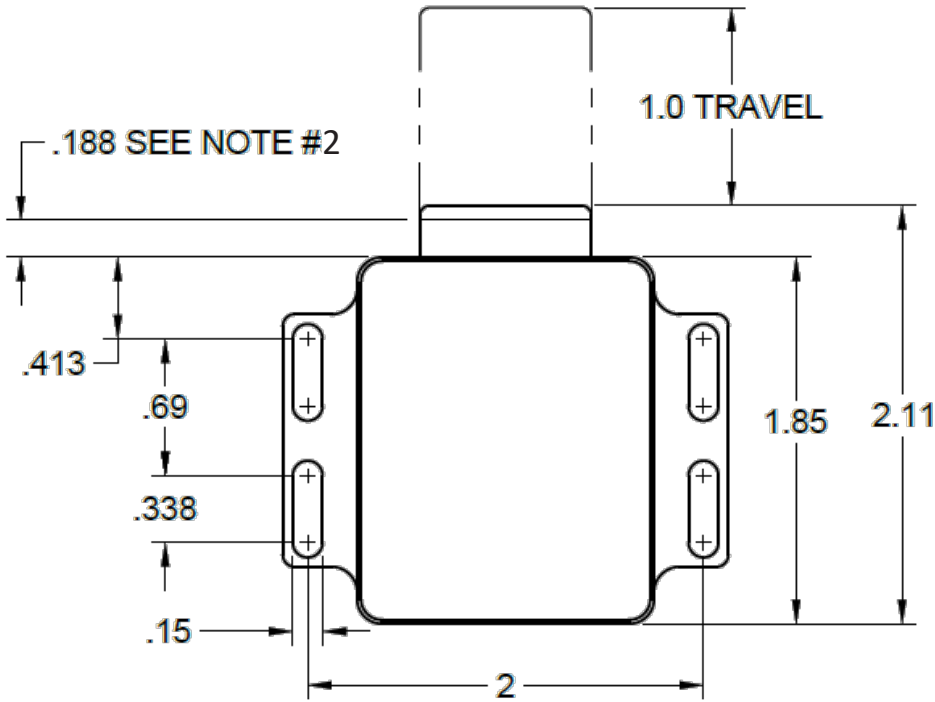
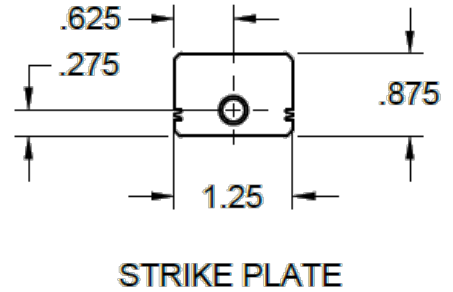
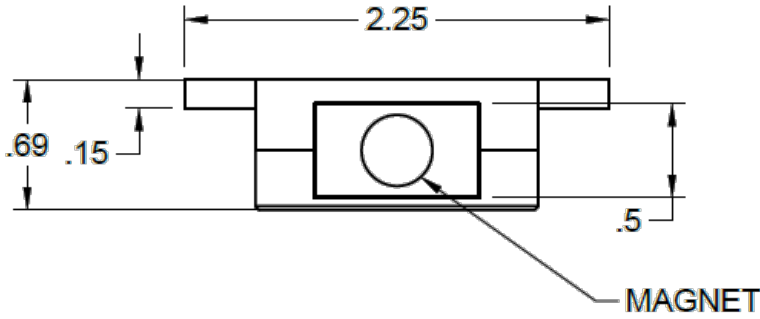
- Spring force: 10 lbs
- Magnetic pull force: 6 lbs
- 1" bolt extension
- 2 mm (.08 in) travel required to release
- Black anodized aluminum finish
- Strike plate included
- All fasteners included

B ————— **W**

available in North America through Bridgeport Worldwide
T: +1-800-362-1484 — info@BridgeportWorldwide.com



MTL23 Magnetic Touch Latch



NOTES:

1. INSTALL STRIKE PLATE WITH #6 FLAT HEAD SCREW, USE 4X #6 PAN HEAD SCREWS TO SECURE LATCH

2. A STOP BLOCK OR DOOR STOP MUST BE USED. LOCATE .188" FORWARD OF LATCH, ADJUST LATCH LOCATION USING PROVIDED SLOTS.



How to specify

QTY	Series	Finish	Note
100	MTL23	US19	Magnetic touch latch, matte black finish

Code	Finish Description
US19	Matte black anodized Alu