

SIMONSWERK

TECTUS®

TE 525 3D

made of solid stainless steel for unrebated heavy-duty doors

hinge	up to 100 kg
--------------	--------------

Technical Details

Load capacity	100,0 kg
Length (door/frame)	155,0/155,0 mm
Width (door/frame)	26,0/26,0 mm
Cutter diameter	24,0 mm

Descriptive Text

SIMONSWERK TECTUS hinge TE 525 3D made from solid stainless steel. Completely concealed for unrebated doors with timber, steel or aluminium frames. UL-certified, load capacity 100 kg, opening angle up to 180°, total length 155 mm, right hand and left hand applicable, maintenance-free slide bearing technology, three-dimensionally adjustable: Side +/- 3.0 mm and height +/- 3.0 mm, compression +/- 1.0 mm. Finish...

Note

Finger protection due to a small gap between door and frame

Functional areas

soundproof, burglar resistance und Fire resistance, Smoke resistance

Quality Marks



Combination

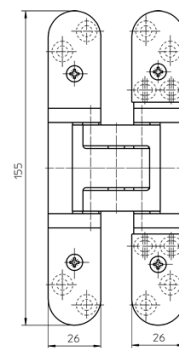
Accessories	cable set	Cable set TE 525 3D MK
Receiver	casing frame	TE 525 3D FZ/1
	steel frame	TE 525 3D SZ

Installation aids

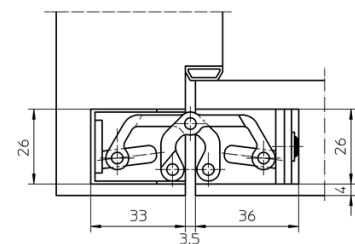
Drilling jig TECTUS	block frame and blind frame
universal milling frame	
Template No. 5 250547 6	frame / door

Items (DIN direction: DIN right and left hand applicable)

finish(es)	stainless steel satin brushed
Packing unit	Pack of 2
Item number	5 400556 0 04002



front view



block frame

SIMONSWERK

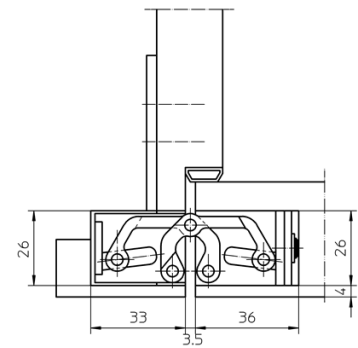
TECTUS®

TE 525 3D

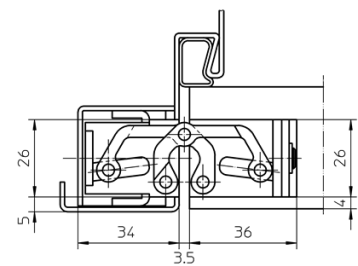
made of solid stainless steel for unrebated heavy-duty doors

hinge

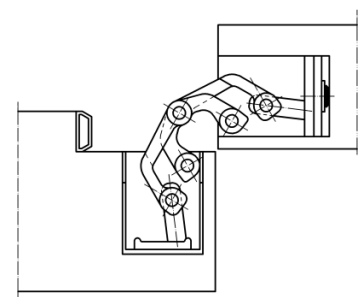
up to 100 kg



casing frame



steel frame



Blockcharge 90°

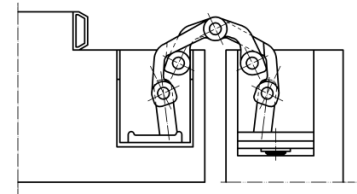
SIMONSWERK
TECTUS®

TE 525 3D

made of solid stainless steel for unrebated heavy-duty doors

hinge

up to 100 kg



Blockzarge 180°