



Knob

*Knob options include
Knob, Handle, and
ADA Handle*



Handle



ADA Handle



Offset Cam Lock



Flat Cam Lock

Product Features

- Dial combination operation
- Flat or offset cam locking mechanisms
- Operates with a 4-digit User Code
- All metal housing
- FCC, CE, and IC certified
- Standard body style
- Non-handed
- ADA compliant
- Brushed nickel or matte black finish
- Integrated bottom pull handle

Functionality

- Shared or assigned use
- Manage with Flex Keys

Installation

- Surface mount
- Designed for both new or retrofit installations

Power

- No batteries required

Support

- 2-year warranty

Finish Options

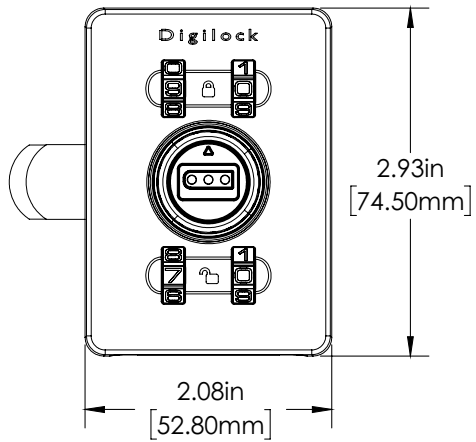


Brushed Nickel

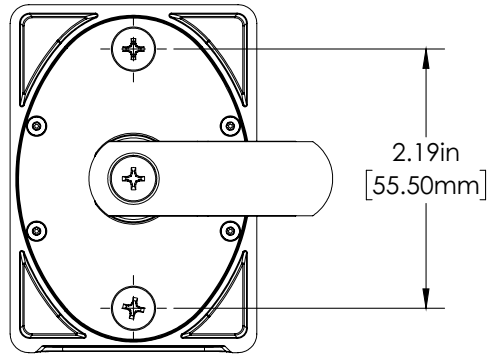


Matte Black

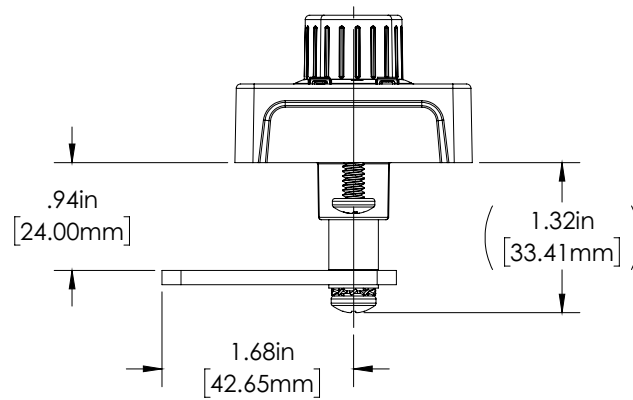
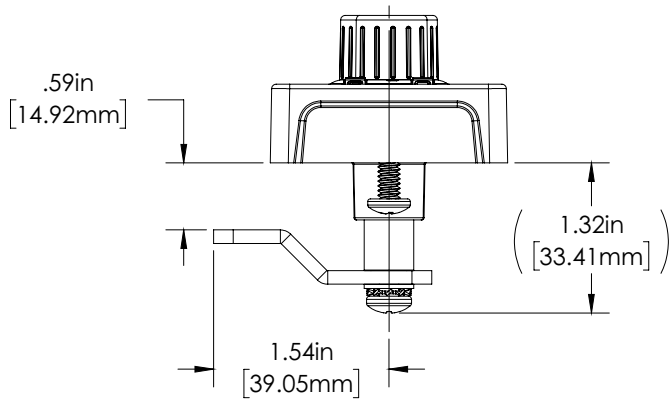
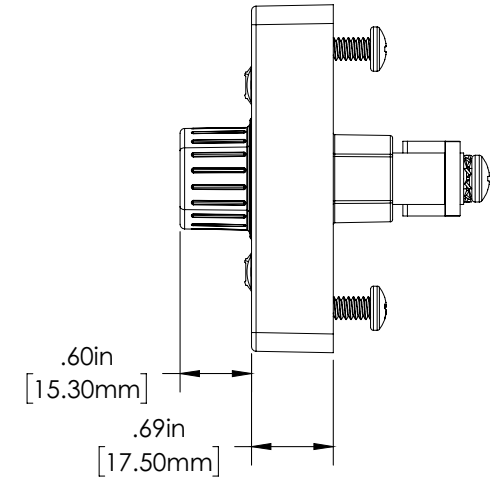
FRONT VIEW



BACK VIEW



SIDE VIEW



BARREL OPTIONS

Kit #		Surface Door Thickness
E	22 mm Barrel (cam)	0-20mm

Digilock®

CONTACT INFORMATION

DIGILOCK AMERICAS

Sales

Email: sales@digilock.com

Phone: +1 800 989 0201

Support

Email: support@digilock.com

Toll Free: +1 866 712 7071

DIGILOCK EUROPE BV

Sales

Email: sales@digilock.eu

Phone: +31 0 20 303 3060

Support

Email: support@digilock.eu

Toll Free: +1 866 696 0979

DIGILOCK ASIA

Sales

Email: sales@digilock.asia

Phone: +852 2776 0800

Support

Email: support@digilock.asia

Toll Free: +1 866 699 9180