

## 설치 가이드

다이얼 콤보 | 매립형 장착 | 볼트 | 래치 | 플랫 캠 | 오프셋 캠

버전 1

날짜: 051826

PG-D6CL-1X-XX-2-KOR



표준 본체

### 기계식 후면 유닛



12MM 볼트



8MM 볼트



12MM 래치



8MM 래치



플랫 캠



오프셋 캠

**매립형 장착 - 8mm 볼트/래치 - 12mm 볼트/래치**

문 두께가 [15mm - 40.5mm] 사이일 때 사용

필요한 부품 및 도구 ..... 1  
 설치..... 2

**매립형 장착 - 플랫 캡**

문 두께가 [15mm - 34mm] 사이일 때 사용

필요한 부품 및 도구 ..... 3  
 설치..... 4

**매립형 장착 - 오프셋 캡**

문 두께가 [15mm - 24mm] 사이일 때 사용

필요한 부품 및 도구 ..... 5  
 설치..... 6

매립형 몰티스 템플릿 ..... 7

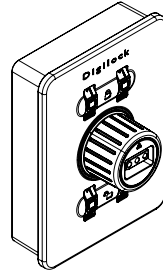
보증 ..... 8

연락처 정보 ..... 9

문 두께가 15mm - 40.5mm 사이일 때 사용

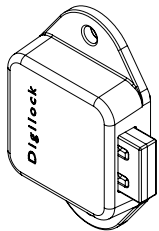
## 필수 부품

### 전면 유닛

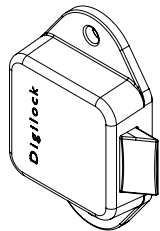


표준 본체

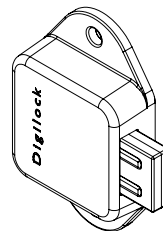
### 후면 유닛



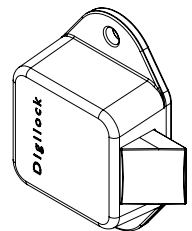
8mm 볼트



8mm 래치



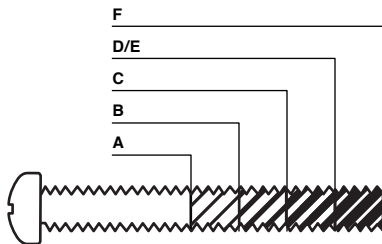
12mm 볼트



12mm 래치

### 하드웨어

2 - #10-24 팬헤드 십자 나사



나사 크기	길이	문 두께	
		최소	최대
A	1/2" [12,70mm]	15,0mm	19,5mm
B	3/4" [19,05mm]	23,0mm	26,5mm
C	7/8" [22,22mm]	26,0mm	29,0mm
D	1 1/8" [28,57mm]	29,0mm	34,0mm
E	1 1/8" [28,57mm] (익스텐더 포함)	33,5mm	36,0mm
F	1 3/8" [34,92mm]	36,0mm	40,5mm

### 필요한 도구

\* 미포함

1 - 십자 드라이버 (#2)\*



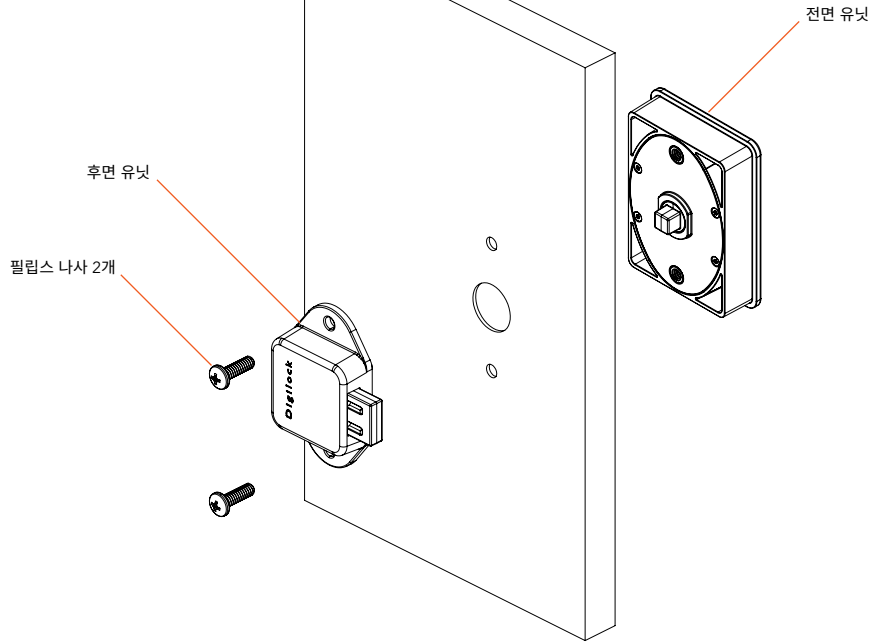
**참고:** 전동 드릴을 사용할 경우 과도한 조임을 방지하기 위해 토크 5 이하만 사용하는 것이 권장됩니다.

설치

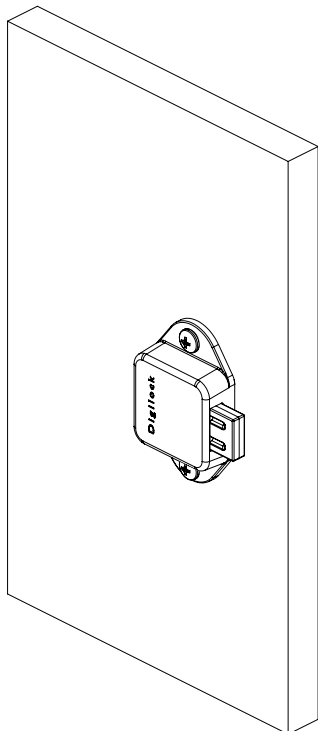
예시로, 12mm 볼트 후면 유닛이 표시되어 있습니다.

조립도

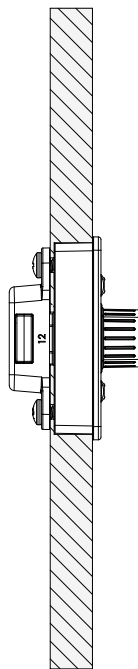
분해도



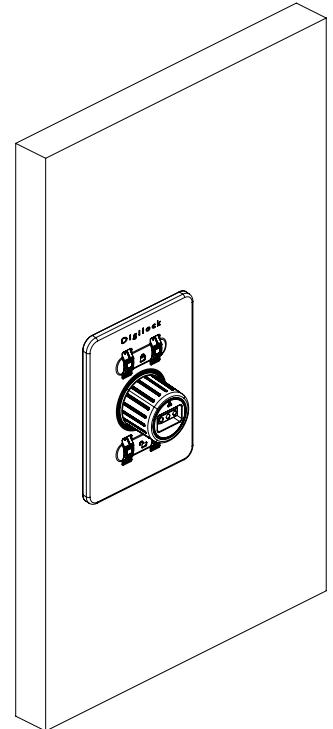
후면 보기



측면 보기



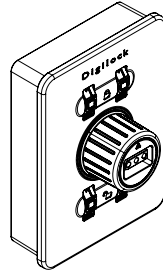
전면도



문 두께가 [15mm - 34mm] 사이일 때 사용

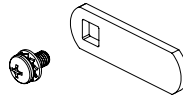
## 필수 부품

### 전면 유닛



표준 본체

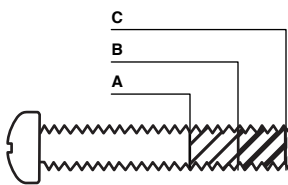
### 후면 유닛



플랫 캠

### 하드웨어

2 - #10-24 팬헤드 십자 나사

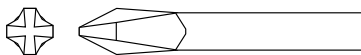


나사 크기	길이	문 두께	
		최소	최대
A	1/2" [12,70mm]	15mm	23mm
B	3/4" [19,05mm]	23mm	29mm
C	1" [25,40mm]	29mm	34mm

## 필요한 도구

\* 미포함

1 - 십자 드라이버 (#2)\*

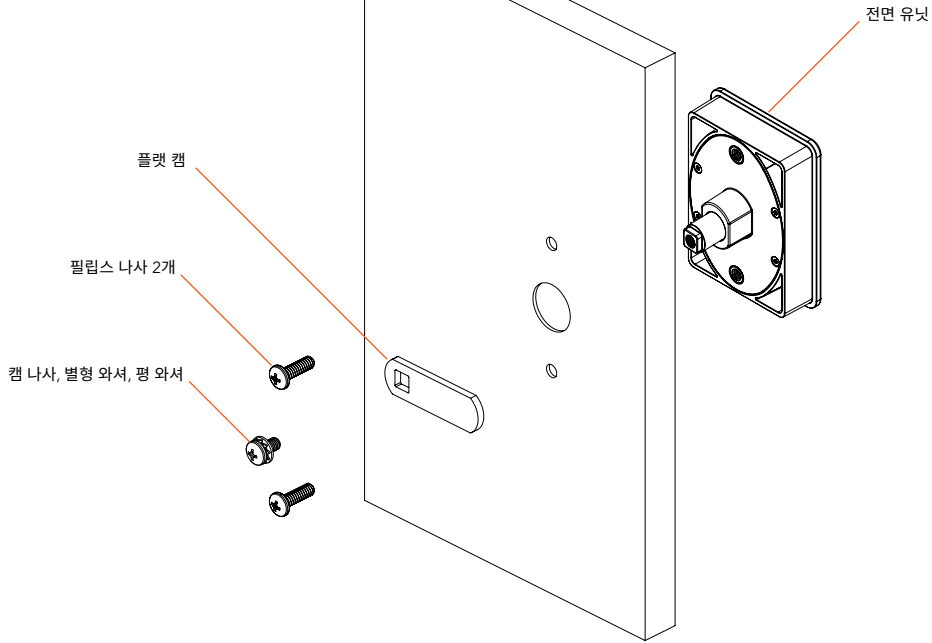


**참고:** 전동 드릴을 사용할 경우 과도한 조임을 방지하기 위해 토크 **5 이하**만 사용하는 것이 권장됩니다.

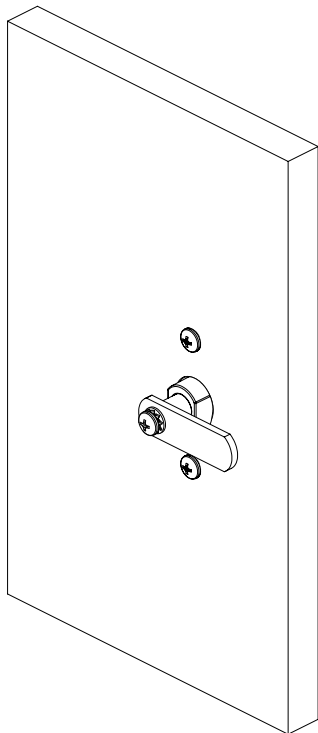
설치

조립도

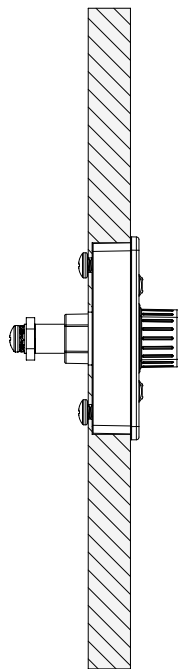
분해도



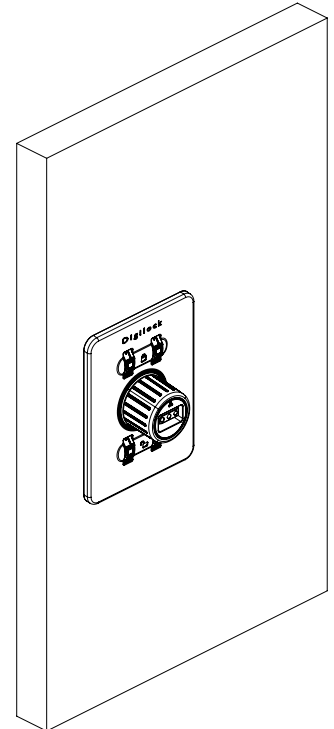
후면 보기



측면 보기



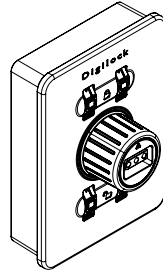
전면도



문 두께가 [15mm - 24mm] 사이일 때 사용

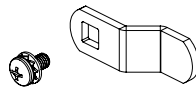
## 필수 부품

### 전면 유닛



표준 본체

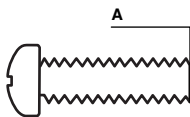
### 후면 유닛



오프셋 캠

### 하드웨어

2 - #10-24 팬헤드 십자 나사

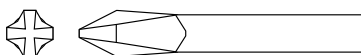


나사 크기	길이	문 두께	
		최소	최대
A	1/2" [12,70 mm]	15mm	24mm

## 필요한 도구

\* 미포함

1 - 십자 드라이버 (#2)\*

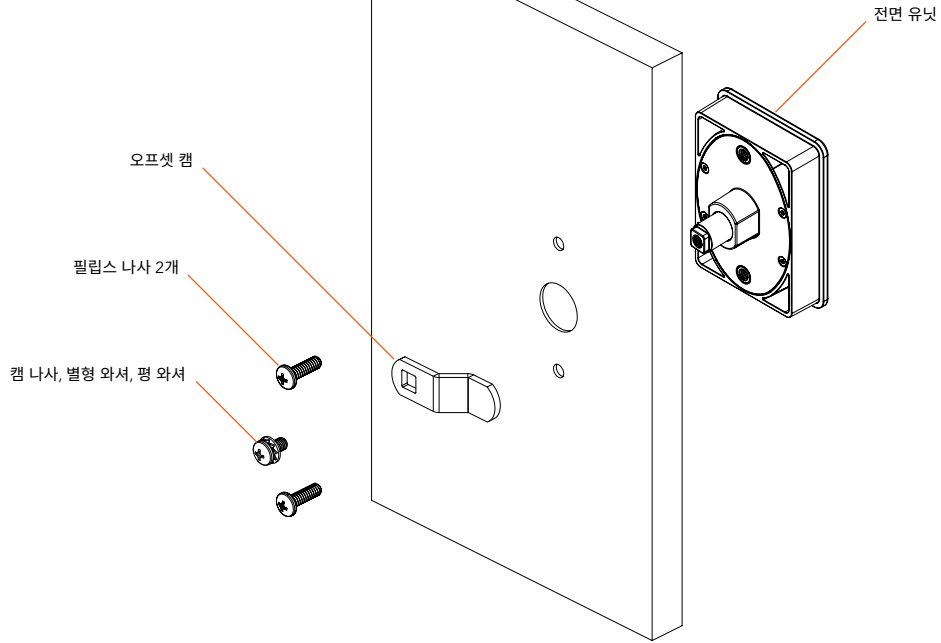


**참고:** 전동 드릴을 사용할 경우 과도한 조임을 방지하기 위해 토크 **5 이하**만 사용하는 것이 권장됩니다.

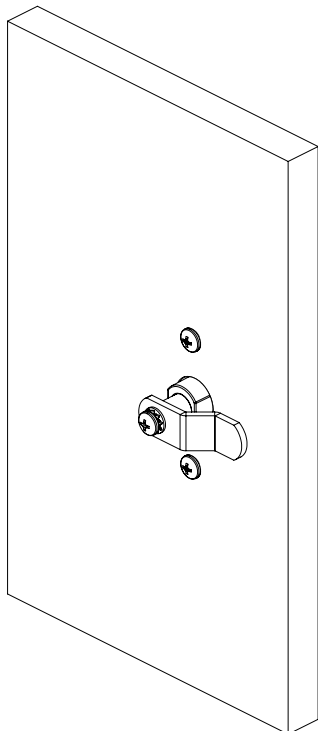
설치

조립도

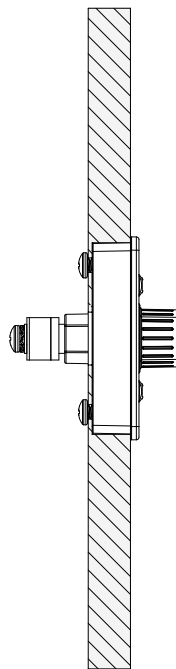
분해도



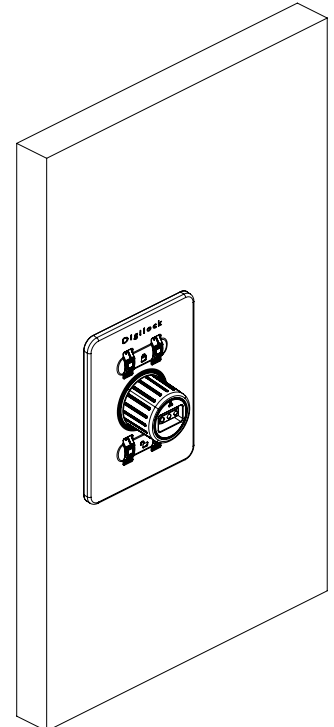
후면 보기



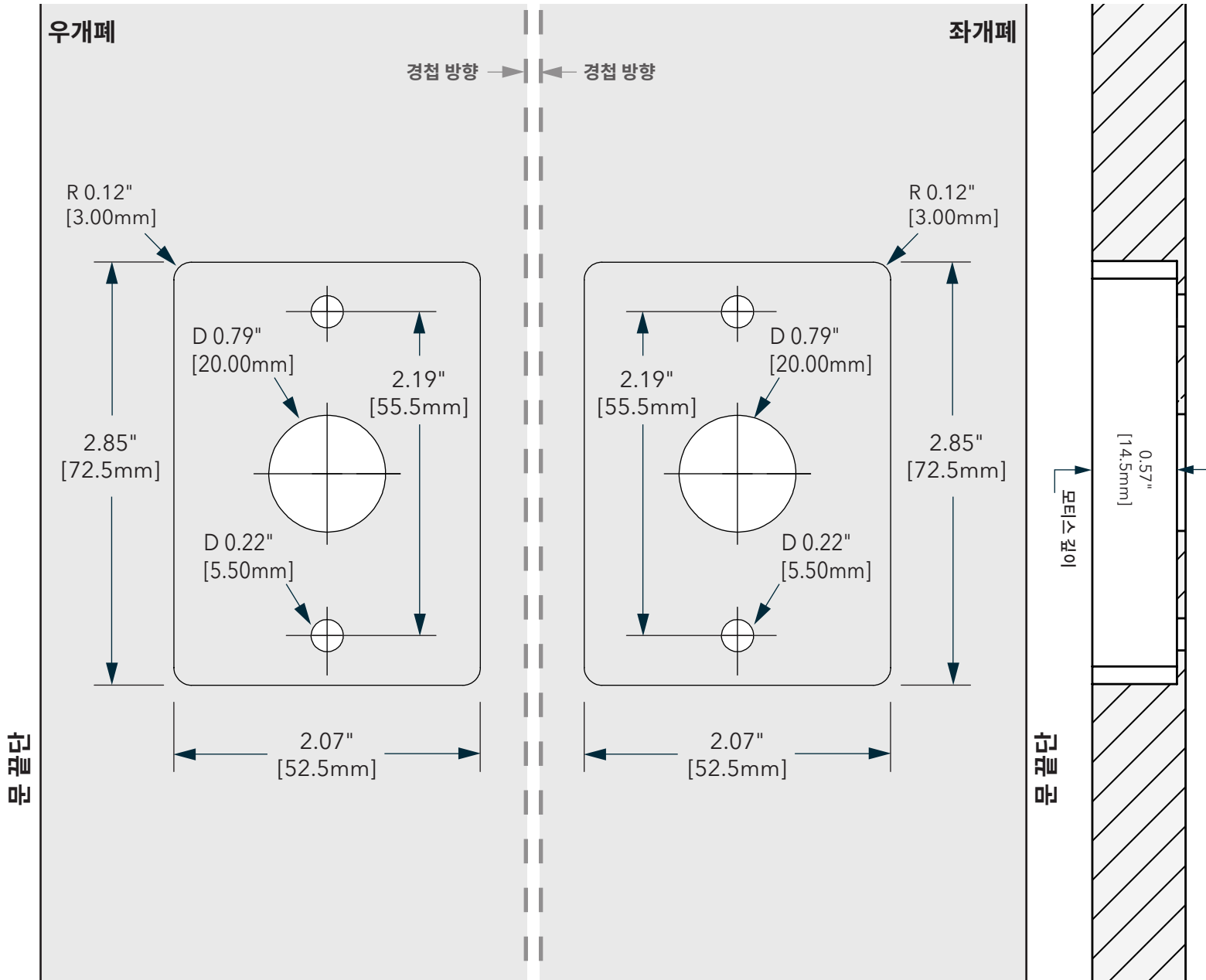
측면 보기



전면도



참고: 템플릿을 100% 크기로 인쇄하십시오



LIMITED WARRANTY. Company warrants to the original purchaser of Product manufactured by Company to be free of defects in material and workmanship, provided: (1) Company has been notified of such defects within two years of purchase date and been given the opportunity of inspection by return of any alleged defective Product to Company, or its authorized distributor, free and clear of liens, encumbrances, transportation prepaid, accompanied by the statement of defects and proof of purchase; and (2) Product has not been subject to modification, abuse, misuse, mishandling, misapplication, neglect (including but not limited to improper maintenance), accident, improper installation, alteration and/or modification (including but not limited to use of unauthorized parts or attachments), disassembly, or adjustment or repair performed by anyone other than an authorized service personnel during such period; and (3) such defect has not been caused by corrosion or ordinary wear and tear. This warranty does not cover batteries, normal wear and tear of parts and/or damage resulting from any of the following: negligent use or misuse of product, use of improper voltage or current, and/or use contrary to operating instructions. The exclusive remedy shall not be deemed to have failed of its essential purpose so long as Company is willing and able to repair or replace non-conforming Product in the prescribed manner.

Unless the product is listed as IP55 rated or otherwise expressed by Company on the sales order acknowledgment, Product is not designed or intended for exterior use or where exposed to moisture. Any use where Product is exposed to moisture is not covered by any warranties and voids any warranties and any resulting damage caused by direct exterior exposure or moisture is at the Buyer's own risk.

The liability of Company for any breach of the foregoing warranty shall not extend to dismantling, installing or reinstalling, but shall be limited to repairing or replacing said items, as Company's option, within a reasonable time after receipt of written notice from Buyer, within the period of time stipulated herein, of any such non-conforming Product, provided that (i) such notice is given immediately upon the detection of such non-conformance and (ii) such notice is received within the time period stipulated herein. BUYER AND COMPANY EXPRESSLY AGREE THAT THE BUYER'S SOLE AND EXCLUSIVE REMEDY AGAINST COMPANY SHALL BE FOR THE REPAIR OR REPLACEMENT (AT COMPANY'S OPTION) OF NON-CONFORMING PRODUCT AS PROVIDED HEREIN.

COMPANY SPECIFICALLY DISCLAIMS ANY OTHER WARRANTIES, EXPRESS, IMPLIED, OR STATUTORY, INCLUDING WITHOUT LIMITATION THE IMPLIED WARRANTY OF FITNESS FOR A PARTICULAR PURPOSE AND THE IMPLIED WARRANTY OF MERCHANTABILITY, AND COMPANY ALSO SPECIFICALLY DISCLAIMS ANY LIABILITY FOR CONSEQUENTIAL OR INCIDENTAL DAMAGES. IN NO EVENT SHALL COMPANY BE LIABLE FOR INCIDENTAL OR CONSEQUENTIAL DAMAGES ARISING OUT OF OR IN CONNECTION WITH THIS AGREEMENT (INCLUDING BUT NOT LIMITED TO BREACH OF ANY OBLIGATION IMPOSED ON COMPANY HEREUNDER OR IN CONNECTION HEREWITH) OR THE USE, STORAGE, DISPOSAL OR HANDLING OF PRODUCT. Consequential damages for purposes hereof shall include, without limitation, loss of use, income or profit, shutdown, slowdown or stoppage of any production line or facility, or losses sustained as the result of injury (including death) to any person, or loss of or damage to property (including without limitation property handled or processed by the use of Product). Buyer shall indemnify Company against all liability, cost or expense which may be sustained by Company on account of any such loss, damage or injury.

Company will not evaluate warranted Product without Buyer obtaining a Return Merchandise Authorization (RMA) number from Company. Such returns must be prominently marked with the RMA number and shipped prepaid.

Company makes no other warranty, and the warranty is limited to the duration of the expressed warranty period as set forth above

NOTE: Should Product be considered a consumer product as may be covered by the Magnusson Moss Federal Warranty Act, please be advised that: (1) some states do not allow limitations on incidental consequential damages or how long an implied warranty lasts so that the above limitations may not fully apply; (2) this warranty gives specific legal rights, and a buyer may also have other rights which may vary from state to state.

LIMITATION OF LIABILITY. Company's maximum liability for any damages resulting from or caused by Product, whether in contract, tort, or otherwise, is limited to the purchase price of Product. In no event shall Company be liable for any consequential damages of any nature arising from the sale or use of Product, whether in contract, tort or otherwise, by either use or purchase of Product, the user or purchaser agrees to this limit on Company's liability. Company is not responsible for any modification, addition or alteration to Product by others.

Company reserves the right to make changes in designs and specifications or to make additions or improvements on its products without notice and without incurring any obligation to incorporate them on products previously manufactured.

# Digilock®

## 연락처 정보

---

지원을 받으려면 QR 코드를 스캔하거나 다음을 방문하세요:  
[digilock.com/ko/contact/support](https://digilock.com/ko/contact/support)

