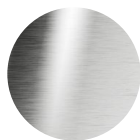


Finish Options



Brushed
Nickel



Matte
Black

Product Features

- IP55 rated, FCC, CE, and IC certified
- Slim 0.33" (8.5mm) profile
- All metal housing
- Visual and audible indicators
- Advanced auto unlock
- ADA compliant
- Non-handed
- With or without pull handle

Functionality

- Dual functionality - shared or assigned use
- Manage with the Basic or Advanced system
- Operate by User Code or User Key

Installation

- Designed for both new or retrofit installations
- Adaptable to multiple door thicknesses
- 1/2" (12.7mm) motorized deadbolt locking mechanism
- Snap-lock cable connector (patented)

Power

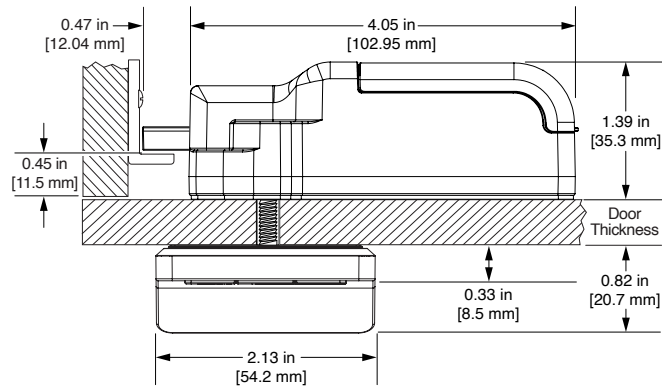
- Powered by 4 premium AA batteries
- For expected battery life, refer to Battery Life Estimate Chart

Support

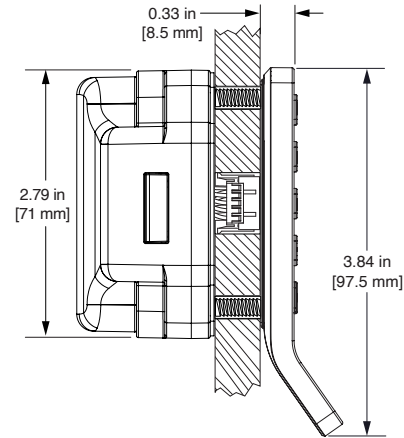
- On-site product updates
- Lifetime support
- 2-year warranty

Standard Body with Pull | Deadbolt with Cable Connection

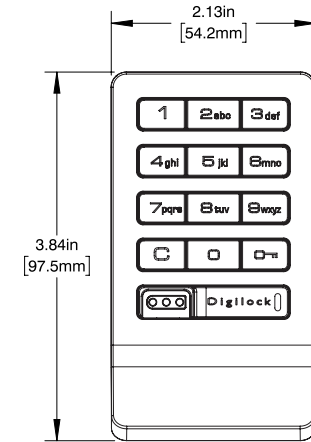
TOP VIEW



SIDE VIEW

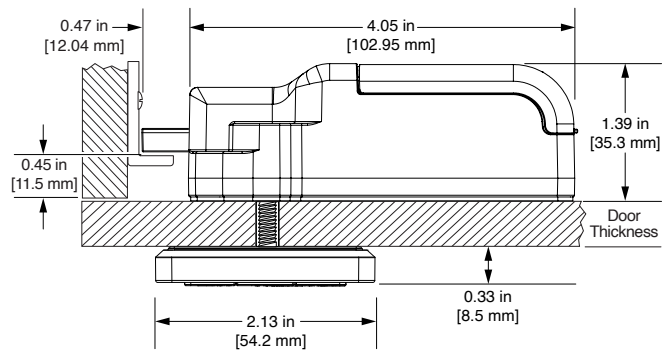


FRONT VIEW

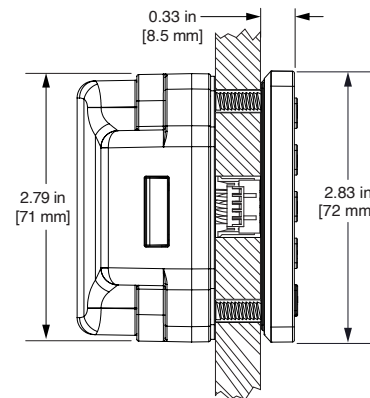


Standard Body without Pull | Deadbolt with Cable Connection

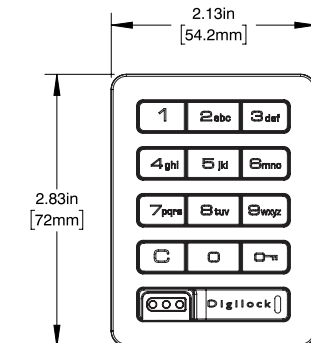
TOP VIEW



SIDE VIEW



FRONT VIEW



Digilock®

CONTACT INFORMATION

DIGILOCK AMERICAS

Sales

Email: sales@digilock.com

Phone: +1 800 989 0201

Support

Email: support@digilock.com

Toll Free: +1 866 712 7071

DIGILOCK EUROPE BV

Sales

Email: sales@digilock.eu

Phone: +31 0 20 303 3060

Support

Email: support@digilock.eu

Toll Free: +1 866 696 0979

DIGILOCK ASIA

Sales

Email: sales@digilock.asia

Phone: +852 2776 0800

Support

Email: support@digilock.asia

Toll Free: +1 866 699 9180