



PRODUCT FEATURES

- All metal housing
- IP55 rated, FCC, CE, and IC certified
- Brushed nickel or black finish
- Slim 0.33" (8.5mm) profile
- Visual and audible indicators
- Advanced auto unlock
- ADA compliant
- Non-handed

FUNCTIONALITY

- Dual functionality - shared or assigned use
- Manage with the Basic or Advanced system

INSTALLATION

- Designed for both new or retrofit installations
- Adaptable to multiple door thicknesses
- 1/2" (12.7mm) motorized deadbolt locking mechanism
- Snap-lock cable connector (patented) or pin connector

POWER

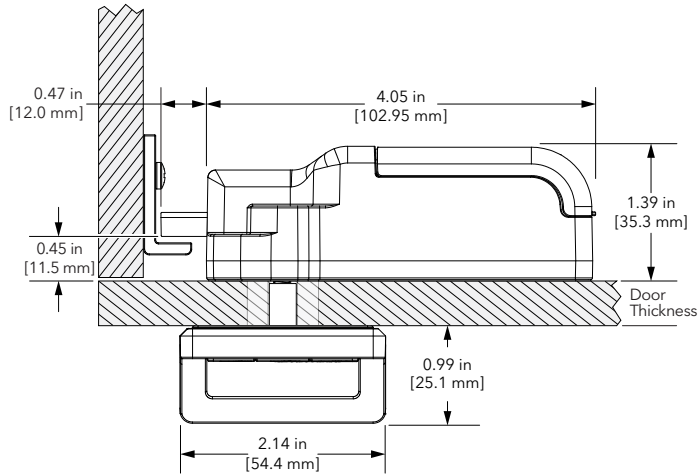
- Powered by 4 premium AA batteries
- For expected battery life, refer to Battery Life Estimate Chart

SUPPORT

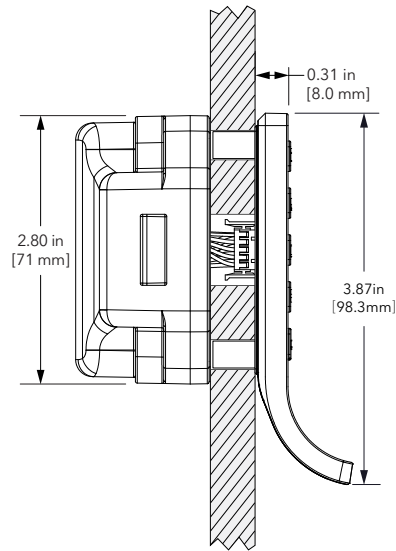
- Onsite product updates
- Lifetime support
- 2-year warranty



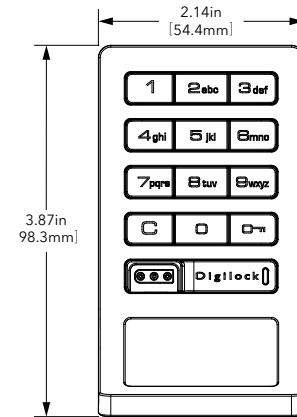
Top View-Cable



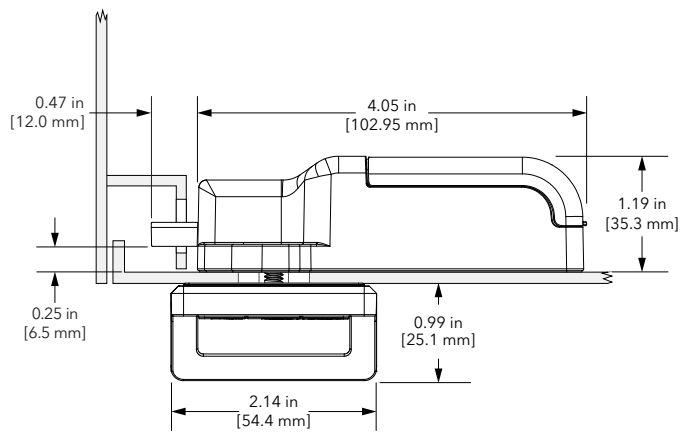
Side View-Cable



Front View



Top View-Pin Connector



Side View-Pin Connector

