



RFID COMPATIBILITY

13.56 MHz RFID Standards (ISO 14443A - ISO 14443B - ISO 15693) including HID™ iCLASS™, MIFARE (Classic 1K-4K, Ultralight, DESFire EV1/EV2, Plus S), FeliCa, LEGIC Advant, HID™ SEOS™

PRODUCT FEATURES

- Wired for power and data transfer
- FCC, CE, IC, and BIFMA certified
- Black finish
- Metal frame
- Robust locking mechanism
- External LED indicator for lock use status
- Interior LED to illuminate storage area
- Internal USB-A port for charging devices
- ADA compliant
- Bi-directional handing
- Self-adjusting hook latch

FUNCTIONALITY

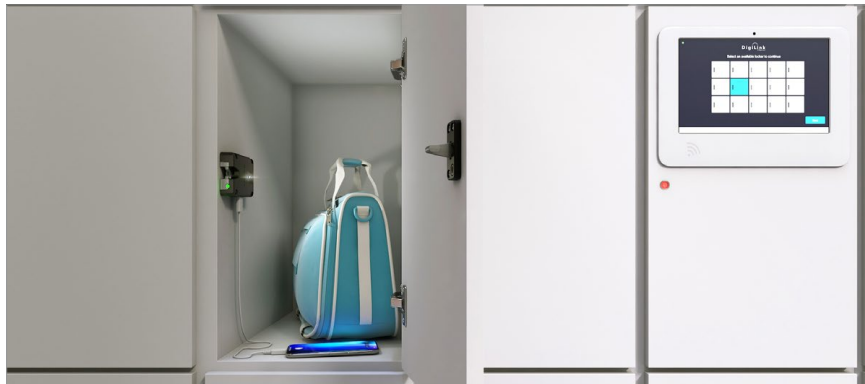
- Multi-functional - Shared Use, Assigned Use, Parcel Pickup, and Reservations
- Manage with the DigiLink cloud-based network application
- RFID, PIN code, and optional Mobile ID operation via Pivot Kiosk App

INSTALLATION

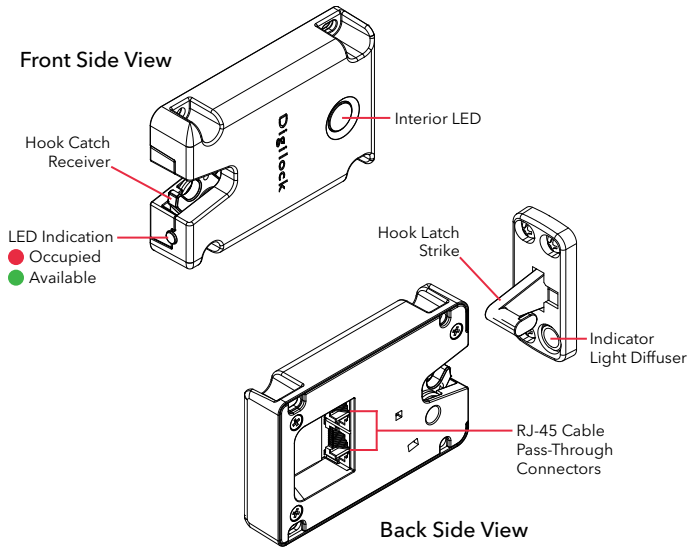
- Designed for new installations, installing seamlessly in the interior of the storage unit
- Suitable for all door materials, including metal
- Power and data wired on the same cable with an RJ45 connector

SUPPORT

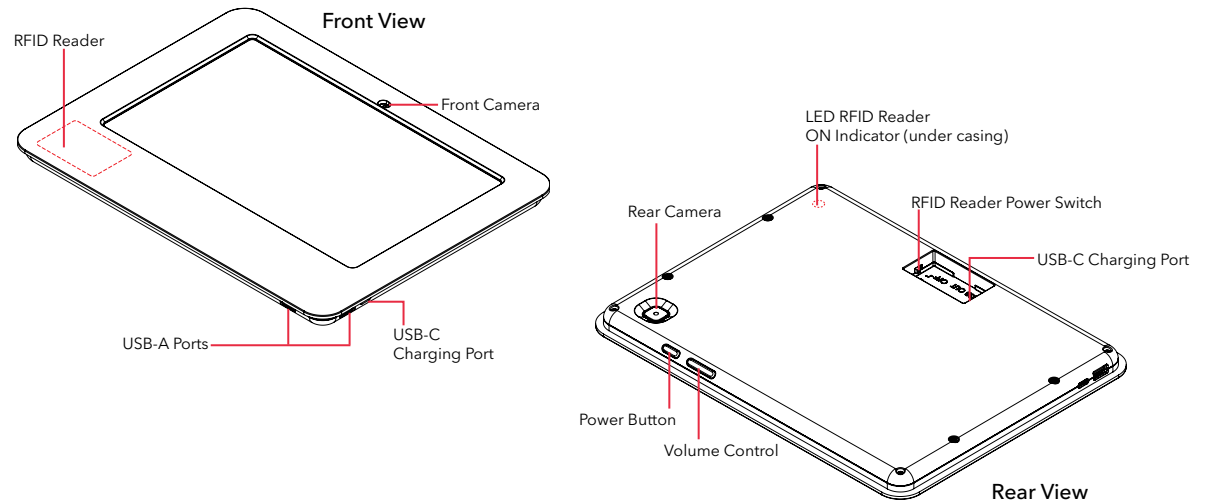
- Onsite product updates
- Lifetime support
- 2-year warranty



Lock Overview



Pivot Kiosk Tablet



Overall Dimensions

