

## WITH KEY INSERT (15-19MM)

**RFID COMPATIBILITY**

13.56 MHz RFID Standards (ISO 14443A - ISO 14443B - ISO 15693) including HID™ iCLASS™, MIFARE (Classic 1K-4K, Ultralight, DESFire EV1/EV2, Plus S), FeliCa, LEGIC Advant, and HID™ SEOS™

**PRODUCT FEATURES**

- Wireless connectivity through BLE (Bluetooth Low Energy)
- Capacitive wake for touchless operation
- Visual and audible indicators
- Key insert available in black or white
- Multi-directional locking mechanism
- Advanced auto unlock option
- ADA compliant

**FUNCTIONALITY**

- Dual functionality - shared or assigned use
- Manage with the DigiLink® cloud based network application
- Operate by RFID credential or Mobile ID

**INSTALLATION**

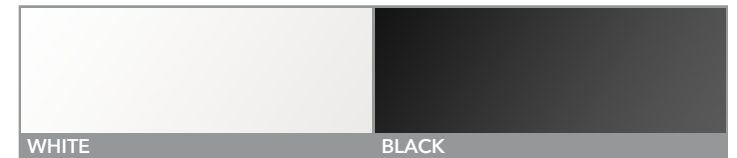
- Inside mount
- Adjustable key insert position
- Designed for both new or retrofit installations
- Accommodates up to .75" (19mm) door
- 1/2" (12.7mm) motorized deadbolt

**POWER**

- Powered by 4 lithium 123A batteries
- For expected battery life, refer to Battery Life Estimate Chart

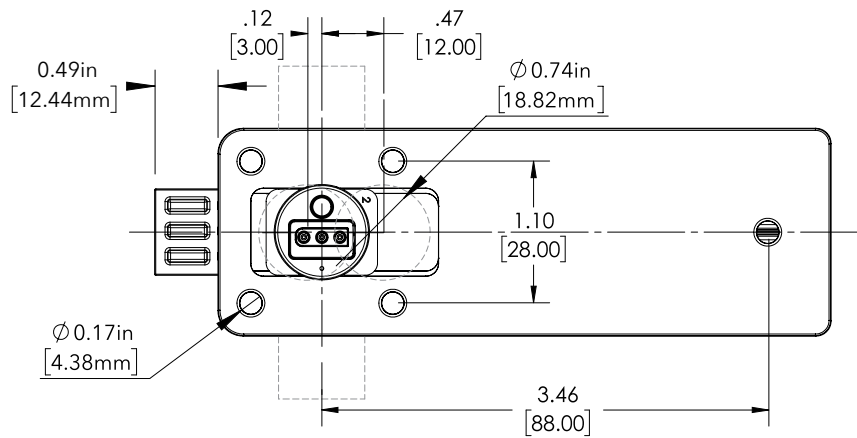
**SUPPORT**

- On-site product updates
- Lifetime support
- 2-year warranty

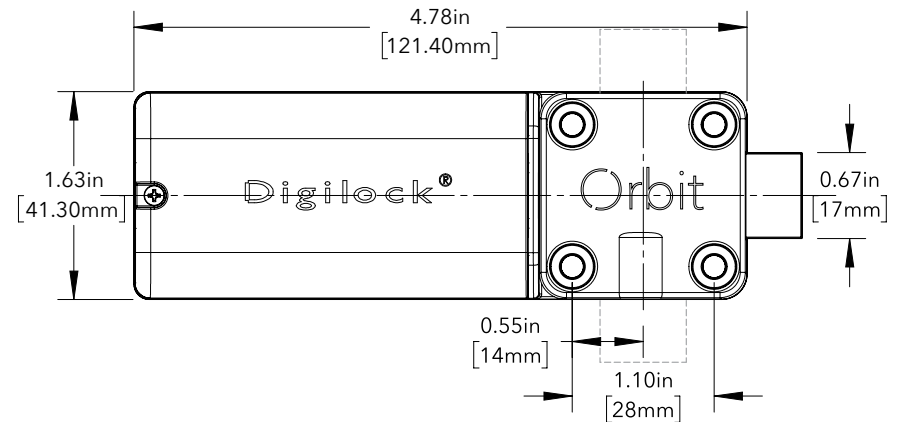


WITH KEY INSERT (15-19MM)

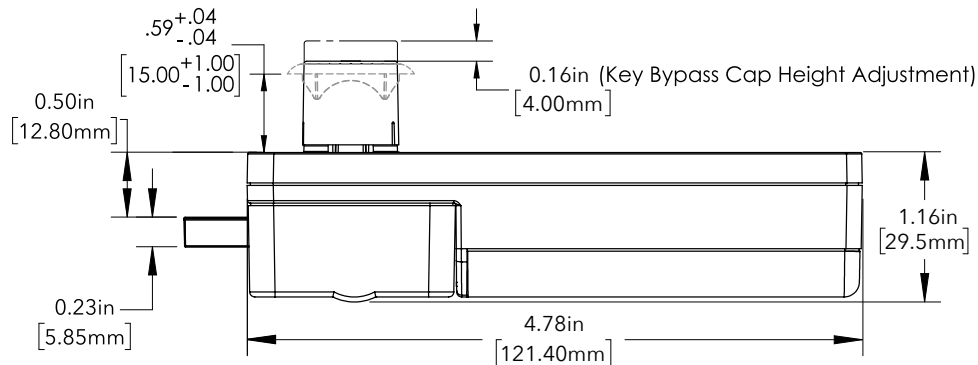
FRONT VIEW



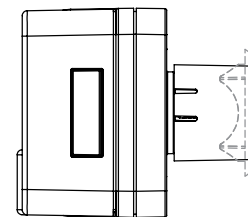
BACK VIEW



TOP VIEW



SIDE VIEW



BYPASS TRIM

