



QUICK SPECS

Scan code for full specifications.

TORQUE RANGE

118- 37,100 ft.-lbs. / 160 - 50293 Nm

WEIGHT

2.69 - 77.45 lbs. / 1.22 - 35.13 kg

HEIGHT

4.25 - 12.42 in. / 108- 315 mm

DRIVE

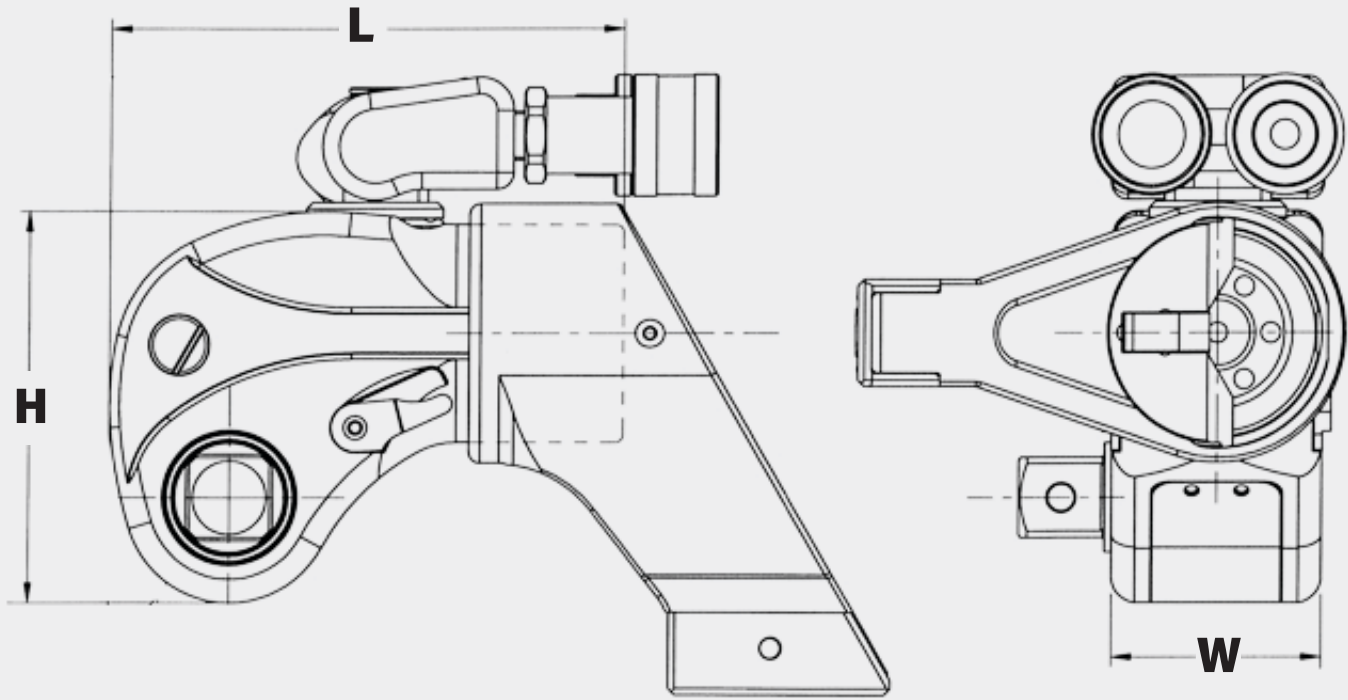
.75 - 2.50 in. / 19 - 64 mm

MXT
Square Drive Tool

The MXT is the world's best-selling industrial bolting system with over one hundred thousand in use around the world. Since 1990, the signature blue housing has represented quality, durability, and reliability on job sites in every major industry. From the tallest roller coasters to the world's largest bridges, the MXT has the power to get the job done.

- LOCK-UP RELEASE
- NO-SLIP RATCHET
- SPECIAL ALLOY OPTION

FULL SPECIFICATIONS



LEGEND: H = HEIGHT W = WIDTH L = LENGTH

MODEL NUMBER	H	W	L	DRIVE	WEIGHT	TORQUE	
IMPERIAL	in.				lbs.	ft-lbs (Min)	ft-lbs (Max)
MXT - .7	4.25	1.62	3.96	0.75	2.69	118	822
MXT - 1	4.90	1.97	4.88	0.75	3.95	200	1,340
MXT - 3	6.12	2.63	6.34	1.00	8.29	480	3,230
MXT - 5	7.22	3.16	7.61	1.50	14.20	835	5,590
MXT - 10	8.80	3.95	9.51	1.50	24.80	1,755	11,520
MXT - 15	9.67	4.38	10.55	2.50	36.00	2,268	15,399
MXT - 20	10.24	4.73	11.41	2.50	43.40	2,960	19,760
MXT - 35	12.42	5.82	14.03	2.50	77.45	5,400	37,100

METRIC	mm			in.	kg	Nm (Min)	Nm (Max)
MXT - .7	108	41	101	19	1.22	160	1,114
MXT - 1	124	50	124	19	1.80	271	1,817
MXT - 3	155	67	161	25	3.76	651	4,379
MXT - 5	183	80	193	38	6.44	1,132	7,578
MXT - 10	224	100	242	38	11.24	2,379	1,5617
MXT - 15	246	111	268	64	16.33	3,075	20,874
MXT - 20	260	120	290	64	19.69	4,013	26,787
MXT - 35	315	148	356	64	35.13	7,320	50,293

HYTORC owns all content, copyrights, trademarks and patents in this document. © 2024 HYTORC. Any unauthorized use or distribution of any material from this document is strictly prohibited.



Headquarters:
333 Route 17 N., Mahwah, NJ 07430
+1-201-512-9500

Contact:
1-800-FOR-HYTORC
info@hytorc.com

Online:
hytorc.com