



QUICK SPECS

Scan code for full specifications.

TORQUE RANGE

115 - 138,510 ft.-lbs. / 156 - 187683 Nm

WEIGHT

3.10 - 585 lbs. / 1.41 - 265.91 kg

HEIGHT

4.19 - 19.4 in. / 106- 493 mm

RADIUS

.99 - 5.31 in. / 25 - 135 mm

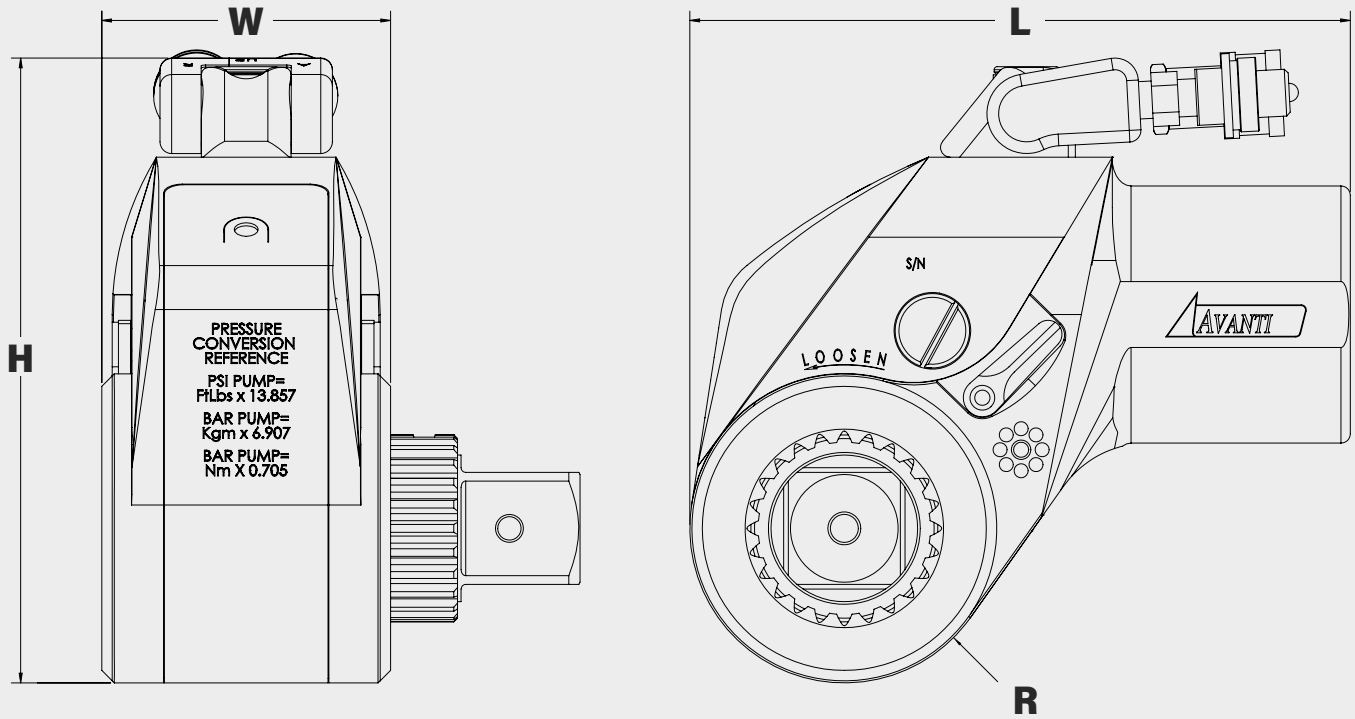
AVANTI®
Hydraulic Torque Wrench

The **AVANTI Hydraulic Torque Wrench** is the largest line HYTORC tool. It offers the widest range of torque output, with a maximum of more than 130,000 ft.-lbs. (187683 Nm). Used for over two decades by industry professionals, the AVANTI has years of proven and reliable performance versus the competition.

The **AVANTI** features a patented industry-first reaction drive and offers an optional dial driver for torque and angle operations. The **AVANTI** works with conventional bolting equipment as well as with the HYTORC Nut and HYTORC Washer, making bolting applications safer, faster, and more accurate.

- REACTION DRIVE
- TORQUE & ANGLE DIAL
- MULTI-USE SYSTEM
- LOCK UP RELEASE LEVER

FULL SPECIFICATIONS



LEGEND: H = HEIGHT W = WIDTH L = LENGTH R = RADIUS

MODEL NUMBER	H	W	L	R	SQUARE DRIVE	WEIGHT	TORQUE	
IMPERIAL	in.					lbs.	ft-lbs (Min)	ft-lbs (Max)
AVANTI - .7	4.19	1.79	4.14	0.99	3/4	3.10	115	767
AVANTI - 8	7.90	3.86	8.24	1.94	1-1/2	20.75	1,150	7,760
AVANTI - 20	10.22	5.07	10.94	2.60	2-1/2	47.70	2,760	17,890
AVANTI - 35	12.22	6.23	13.45	3.19	2-1/2	82.75	4,905	31,830
AVANTI - 50	13.90	7.04	15.54	3.95	2-1/2	127.70	7,202	46,126
AVANTI - 80	16.84	7.49	19.52	4.69	3-1/2	280.50	11,965	85,695
AVANTI - 130	19.40	8.50	22.73	5.31	3-1/2	585.00	19,395	138,510

METRIC	mm				in.	kg	Nm (Min)	Nm (Max)
AVANTI - .7	106	45	105	25	3/4	1.41	156	1039
AVANTI - 8	201	98	209	49	1-1/2	9.43	1558	10515
AVANTI - 20	260	129	278	66	2-1/2	21.68	3740	24241
AVANTI - 35	310	158	342	81	2-1/2	37.61	6646	43130
AVANTI - 50	353	179	395	100	2-1/2	58.05	9759	62501
AVANTI - 80	428	190	496	119	3-1/2	127.50	16213	116118
AVANTI - 130	493	216	577	135	3-1/2	265.91	26280	187683

HYTORC owns all content, copyrights, trademarks and patents in this document. © 2023 HYTORC. Any unauthorized use or distribution of any material from this document is strictly prohibited.



Headquarters:
333 Route 17 N., Mahwah, NJ 07430
+1-201-512-9500

Contact:
1-800-FOR-HYTORC
info@hytorc.com

Online:
hytorc.com