



### QUICK SPECS

Scan code for full specifications.

#### TORQUE RANGE

25 - 5,000 ft.-lbs. / 34 - 6779 Nm

#### WEIGHT (WITH BATTERY)

9.5 - 22.4 lbs. / 4.3 - 10.2 kg

#### SQUARE DRIVE

1/2 - 1-1/2 in.

#### LENGTH

9.9 - 15.4 in. / 251 mm - 391 mm

## LITHIUM SERIES® II

### Electric Torque Tool

The **LITHIUM SERIES II** (LST) is the most advanced electric torque tool available, designed from the ground up with expanded functionality, greater durability, and more intuitive usability. This powerful 36V battery-powered tool, with capacity up to 5,000 ft.-lbs. (6779 Nm), is the ultimate solution for strength and portability in industrial bolting jobs worldwide. This tool is compatible with conventional sockets, the HYTORC Washer, the HYTORC Nut, and works with the HYTORC Connect App.

- AWARD-WINNING
- 4 USER LEVELS
- DURABLE
- EASY TO USE

## TESTIMONIAL

"I HAVE BEEN AROUND PLENTY OF BOLTING TOOLS, SEEN MANY TOOLS USED. BUT THIS IS REALLY COOL! IT'S LIGHTER THAN I EXPECTED, IT'S REALLY FOOL PROOF, AND SO SIMPLE THAT ANYONE CAN GET THE JOB DONE. THE GUYS ARE GOING TO BE ABLE TO WORK LONGER AND SAFER, WHILE STILL GETTING THE JOB DONE RIGHT. I LOVE IT!"

**Kyle Chambers**  
Texas Quality Assurance



### 3-IN-1 FUNCTIONALITY

Can be used with the HYTORC Washer, HYTORC Nut, and standard reaction arm.



### TORCSENSE™ TECHNOLOGY

Using **TorcSense™ Technology**, this battery-operated torque gun directly measures torque, helping to improve bolting performance.



### RUNDOWN & TORQUE

With both Rundown and Torque modes, the **LITHIUM SERIES II Electric Torque Tool** can quickly get nuts snug before delivering high torque to tighten bolts to your specifications.





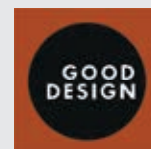
# THE MOST AWARD- WINNING ELECTRIC TORQUE MULTIPLIER

## PRO TOOL INNOVATION AWARD 2019



This award honors the LITHIUM SERIES II Tool as the very best and brightest industrial power tool available.

## GOOD DESIGN AWARD 2019

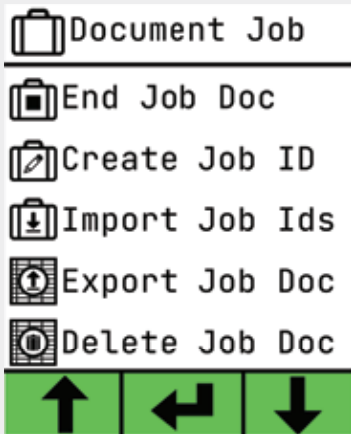


This award honors the LITHIUM SERIES II Tool as the leader in design with innovation that has pushed the envelope in the world marketplace.

## SPOTLIGHT ON NEW TECHNOLOGY 2019



This award recognizes the LITHIUM SERIES II Tool as a new and innovative technology that will make a major impact in the oil and gas industry.



### DATA CAPTURE & DOCUMENTATION

Once a job is completed the LST can send documentation to a PC using a USB cable or via Bluetooth\* (with a compatible app).

\*Select models.

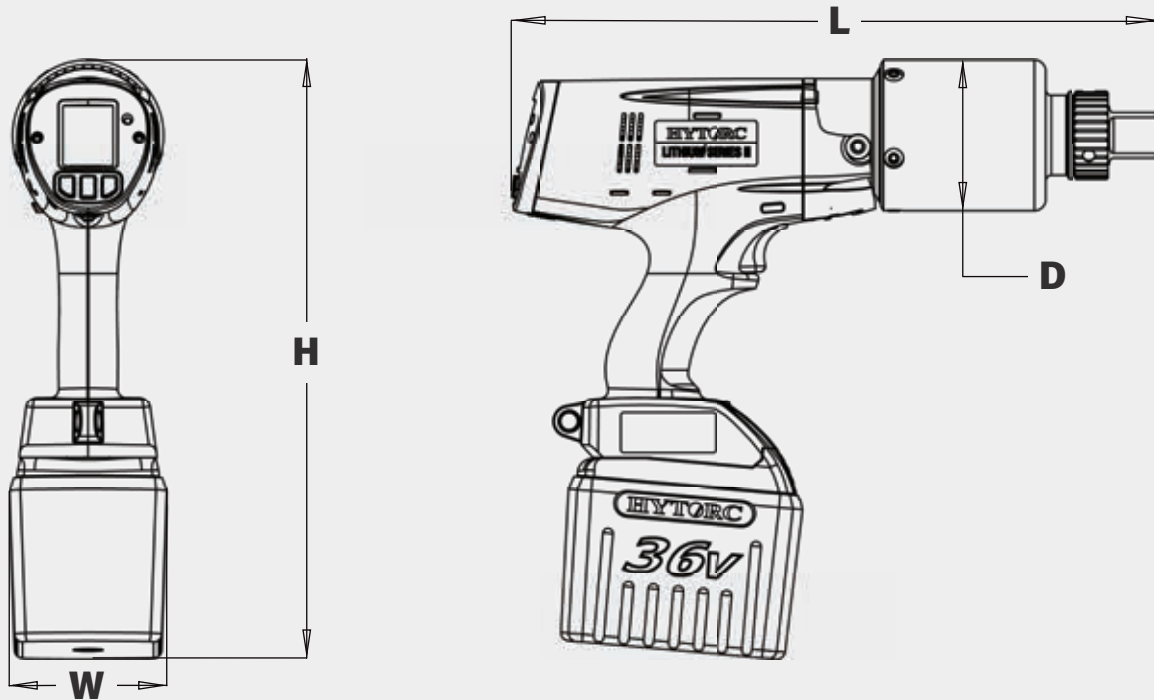


### COMPATIBLE SOFTWARE

Our award-winning **HYTORC Connect App** provides wireless data exchange between Bluetooth® enabled HYTORC Electric Torque Tools and Windows® PC or mobile devices.

For better quality control, the app maintains precise job data documentation by receiving detailed bolting results from the tool. The operator or supervisor can monitor job progress by viewing bolting results during and after the job.

# FULL SPECIFICATIONS



LEGEND: H = HEIGHT W = WIDTH L = LENGTH D = DIAMETER

| CONFIGURATIONS | H    | W   | L    | D   | SQUARE DRIVE | WEIGHT* | SNUG         |              | TORQUE       |              |
|----------------|------|-----|------|-----|--------------|---------|--------------|--------------|--------------|--------------|
| IMPERIAL       | in.  |     |      |     |              | lbs.    | ft-lbs (Min) | ft-lbs (Max) | ft-lbs (Min) | ft-lbs (Max) |
| LST-0250       | 12.9 | 3.5 | 9.9  | 2.5 | 1/2          | 9.5     | 12           | 24           | 25           | 250          |
| LST-0700       | 12.9 | 3.5 | 11.4 | 2.6 | 3/4          | 11.7    | 35           | 149          | 150          | 700          |
| LST-1200       | 12.9 | 3.5 | 11.7 | 2.6 | 3/4          | 12.0    | 60           | 199          | 200          | 1,200        |
| LST-2000       | 13.2 | 3.5 | 13.9 | 3.2 | 1            | 16.6    | 100          | 324          | 325          | 2,000        |
| LST-3000       | 13.3 | 3.5 | 14.4 | 3.4 | 1            | 17.7    | 150          | 499          | 500          | 3,000        |
| LST-5000       | 13.6 | 4.0 | 15.4 | 4.0 | 1-1/2        | 22.4    | 200          | 799          | 800          | 5,000        |

| METRIC   | mm  |     |     |     | in.   | kg   |     |      | Nm (Min) | Nm (Max) |
|----------|-----|-----|-----|-----|-------|------|-----|------|----------|----------|
| LST-0250 | 328 | 89  | 251 | 64  | 1/2   | 4.3  | 16  | 33   | 34       | 339      |
| LST-0700 | 328 | 89  | 290 | 66  | 3/4   | 5.3  | 47  | 202  | 203      | 949      |
| LST-1200 | 328 | 89  | 297 | 66  | 3/4   | 5.5  | 81  | 270  | 271      | 1627     |
| LST-2000 | 335 | 89  | 353 | 81  | 1     | 7.5  | 136 | 439  | 441      | 2712     |
| LST-3000 | 338 | 89  | 366 | 86  | 1     | 8.0  | 203 | 677  | 678      | 4067     |
| LST-5000 | 346 | 102 | 391 | 102 | 1-1/2 | 10.2 | 271 | 1083 | 1085     | 6779     |

\*with battery.

## COMPLETE KIT CONTENTS

- LITHIUM SERIES II Tool
- Storage Case
- Battery Charging System
- Calibration Certificate
- Reaction Arm
- 36V Battery Pack (2)
- Side Handle
- Operations Manual

HYTORC owns all content, copyrights, trademarks and patents in this document. © 2023 HYTORC. Any unauthorized use or distribution of any material from this document is strictly prohibited.



**Headquarters:**  
333 Route 17 N., Mahwah, NJ 07430  
+1-201-512-9500

**Contact:**  
1-800-FOR-HYTORC  
info@hytorc.com

**Online:**  
hytorc.com