



QUICK SPECS

Scan code for full specifications.

TORQUE RANGE

15 - 700 ft.-lbs. / 20 - 949 Nm

WEIGHT (WITH BATTERY)

6.70 - 8.22 lbs. / 3.04 - 3.74 kg

SQUARE DRIVE

1/2 - 3/4 in.

RPM

65 - 4.1

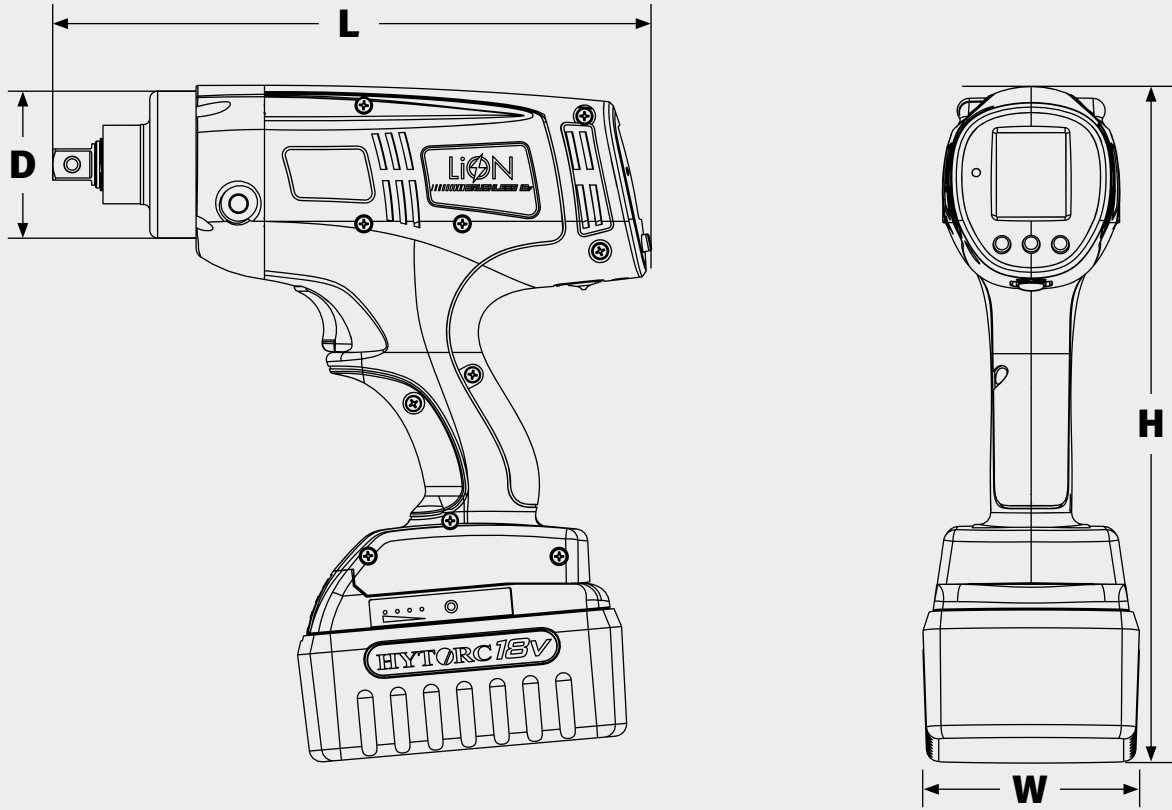
LION GUN®

Electric Torque Tool

The **LION GUN Electric Torque Tool** offers unmatched portability and convenience, making safe and accurate bolting simpler than ever. This 18V battery-powered tool, with capacity up to 700 ft.-lbs. (949 Nm), delivers industrial-grade power without the weight. Built-in data recording provides a permanent record of the work performed. This tool is compatible with conventional sockets, the HYTORC Washer, and the HYTORC Nut.

- DATA CAPTURE
- DOCUMENTATION
- IMPROVED SAFETY
- FLEET MANAGEMENT

FULL SPECIFICATIONS



LEGEND: H = HEIGHT W = WIDTH L = LENGTH D = DIAMETER

MODEL NUMBER	H	W	L	D	SQUARE DRIVE	WEIGHT*	TORQUE		RPM
							ft-lbs (Min)	ft-lbs (Max)	
IMPERIAL									
					in.	lbs.			
LIONGUN-060	10.83	3.47	9.44	2.35	1/2	6.70	15	60	65
LIONGUN-25	10.83	3.47	10.16	2.35	1/2	7.30	25	250	11.6
LIONGUN-7	10.83	3.47	11.13	2.45	3/4	8.22	70	700	4.1
LIONGUN-060-BSM	10.83	3.47	9.44	2.35	1/2	6.70	15	60	65
LIONGUN-25-BSM	10.83	3.47	10.16	2.35	1/2	7.30	25	250	11.6
LIONGUN-7-BSM	10.83	3.47	11.13	2.45	3/4	8.22	70	700	4.1
METRIC									
					in.	kg	Nm (Min)	Nm (Max)	RPM
LIONGUN-060	275	88	240	60	1/2	3.04	20	81	65
LIONGUN-25	275	88	258	60	1/2	3.32	34	339	11.6
LIONGUN-7	275	88	283	62	3/4	3.74	95	949	4.1
LIONGUN-060-BSM	275	88	240	60	1/2	3.04	20	81	65
LIONGUN-25-BSM	275	88	258	60	1/2	3.32	34	339	11.6
LIONGUN-7-BSM	275	88	283	62	3/4	3.74	95	949	4.1

*with battery.

COMPLETE KIT CONTENTS

- LION GUN Electric Torque Tool
- Storage Case
- Battery Charging System
- Calibration Certificate
- Reaction Arm
- 18V Battery
- Operations Manual

HYTORC owns all content, copyrights, trademarks and patents in this document. © 2023 HYTORC. Any unauthorized use or distribution of any material from this document is strictly prohibited.

HYTORC

Headquarters:
333 Route 17 N., Mahwah, NJ 07430
+1-201-512-9500

Contact:
1-800-FOR-HYTORC
info@hytorc.com

Online:
hytorc.com