



### QUICK SPECS

Scan code for full specifications.

#### TORQUE RANGE

50 - 7,900 ft.-lbs. / 81 - 10705 Nm

#### WEIGHT

8.25 - 38.4 lbs. / 3.75 - 17.45 kg

#### HEIGHT

7.87 - 8.41 in. / 200 - 214 mm

#### LENGTH

7.11 - 13.48 in. / 181 - 342 mm

#### RPM

65.0 - 1.5

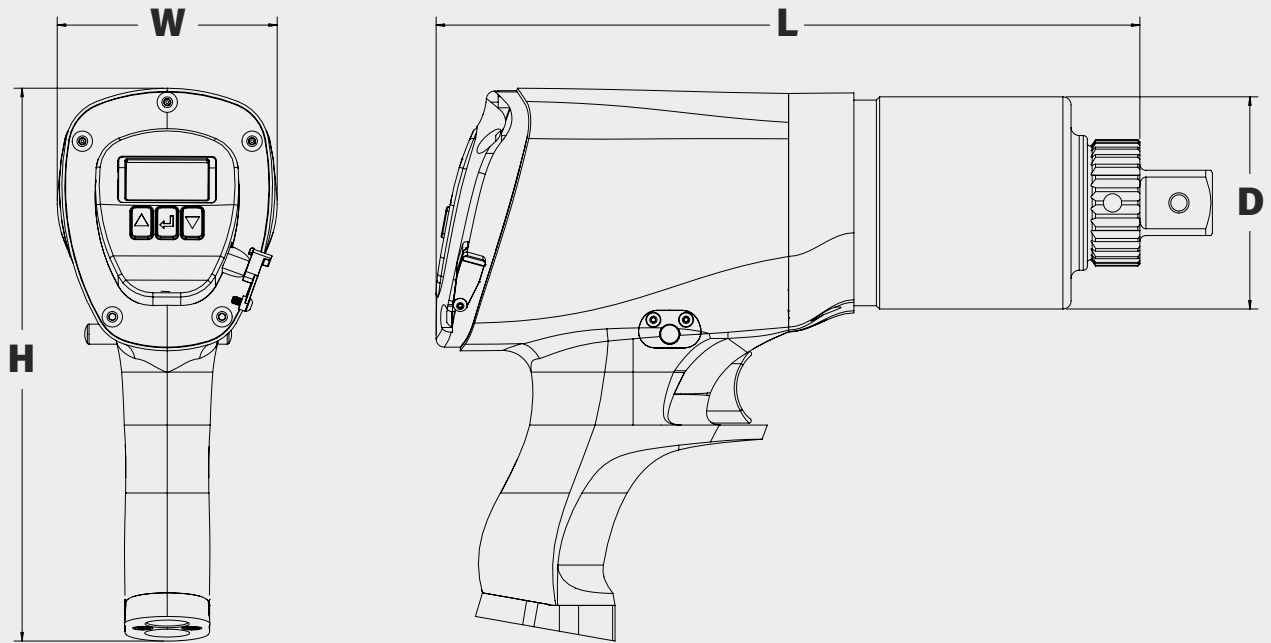
## jGun® DIGITAL Single Speed

### Pneumatic Torque Tool

The jGun DIGITAL Single Speed from HYTORC is the world's first torque-adjustable pneumatic multiplier with a digital readout and FRL-free operation. Unlike other systems that require a separate filter, regulator and lubricator system between the air line and the tool, the patented design of the jGun DIGITAL Single Speed eliminates the need for this add-on, offering the highest level of portability and convenience.

- DIGITAL READOUT
- BUILT-IN TORQUE ADJUSTMENT
- INDUSTRIAL-GRADE MOTOR

# FULL SPECIFICATIONS



LEGEND: H = HEIGHT W = WIDTH L = LENGTH D = OUTER DIAMETER OF GEARBOX

MODEL NUMBER	H	W	L	D	SQUARE DRIVE	WEIGHT	TORQUE		RPM
IMPERIAL	in.					lbs.	ft-lbs (Min)	ft-lbs (Max)	
JGUN-D.25	7.87	3.15	7.11	2.50	3/4	8.25	50	250	29.0
JGUN-D.5	7.87	3.15	8.11	2.58	3/4	8.85	135	500	24.0
JGUN-D1	7.87	3.15	8.90	2.58	3/4	9.8	300	1,175	6.5
JGUN-D2	8.41	3.37	10.79	3.25	1	16.5	540	2,090	5.5
JGUN-D3	8.41	3.37	11.46	3.25	1	17.7	856	3,180	5.0
JGUN-D5	8.41	3.37	12.42	4.15	1-1/2	28.3	1,150	5,050	2.5
JGUN-D6.5	8.41	3.37	12.88	3.99	1-1/2	21.95	2,300	6,500	2.4
JGUN-D8	8.41	3.37	13.48	4.56	1-1/2	38.4	2,300	7,900	1.5

METRIC	mm				in.	kg	Nm (Min)	Nm (Max)	RPM
JGUN-D.25	200	80	181	64	3/4	3.75	81	339	29.0
JGUN-D.5	200	80	206	66	3/4	4.02	251	678	24.0
JGUN-D1	200	80	226	66	3/4	4.45	475	1592	6.5
JGUN-D2	214	86	274	83	1	7.50	780	2832	5.5
JGUN-D3	214	86	291	83	1	8.05	1161	4309	5.0
JGUN-D5	214	86	315	105	1-1/2	12.86	1891	6843	2.5
JGUN-D6.5	214	86	327	101	1-1/2	9.95	3118	8813	2.4
JGUN-D8	214	86	342	116	1-1/2	17.45	3118	10705	1.5

HYTORC owns all content, copyrights, trademarks and patents in this document. © 2023 HYTORC. Any unauthorized use or distribution of any material from this document is strictly prohibited.



**Headquarters:**  
333 Route 17 N., Mahwah, NJ 07430  
+1-201-512-9500

**Contact:**  
1-800-FOR-HYTORC  
info@hytorc.com

**Online:**  
hytorc.com