



**QUICK SPECS**

Scan code for full specifications.

**POWER**

HY-115: 1.5 kW / 2.1 HP

HY-230: 1.5kW / 2.0HP - 7A

HY-400: 1.8kW / 2.4HP - 6A

**WEIGHT**

60 lbs / 27 kg

**STAGES**

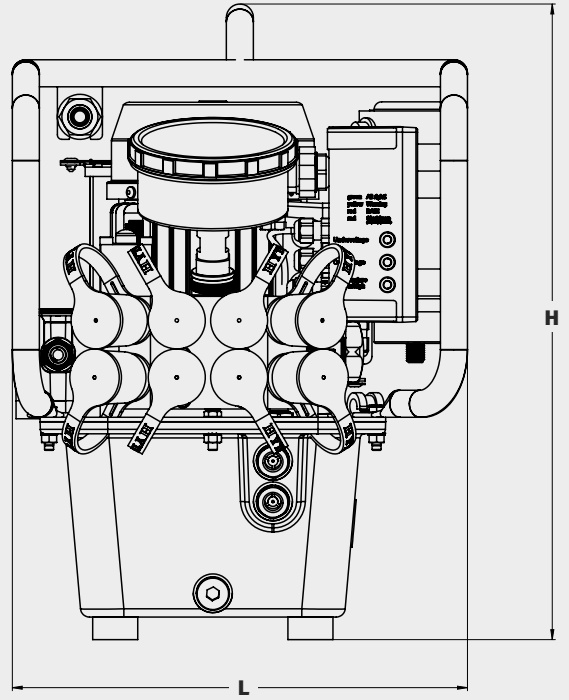
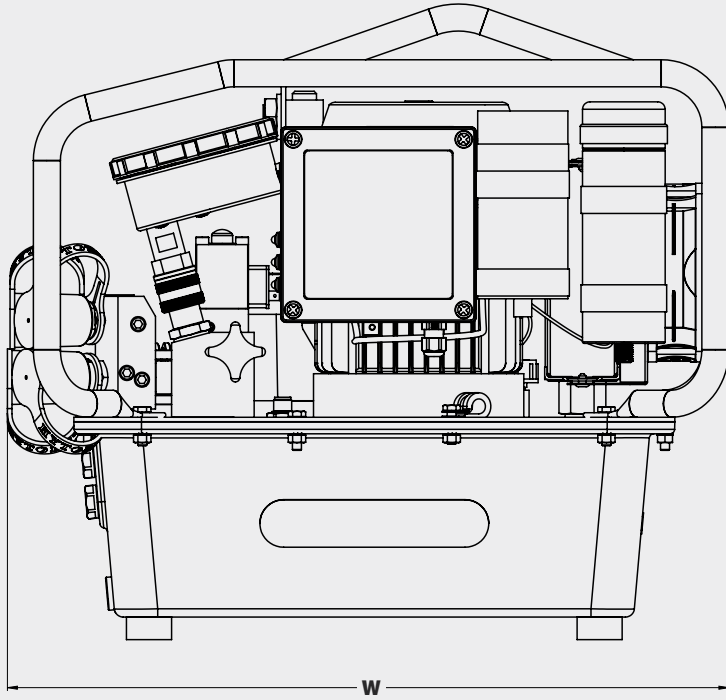
4

## HY-Series Pumps

The **HY-Series Electric Hydraulic Pumps** (HY-115, HY-230, HY-400) offer exceptional versatility, accommodating multiple voltage inputs (115V, 230V, and 400V respectively) to suit various power sources and operational environments. Engineered for high performance, they provide reliable hydraulic power for torque tools and equipment that demand robust force. Their user-friendly controls and straightforward operation and controls make them easy to manage and they operate quietly at ~80 dB. Built with durable materials and robust engineering, the HY-Series pumps ensure long-lasting reliability in demanding conditions, making them an ideal choice for many industrial applications.

- SIMPLE & MANUAL OPERATION
- VERSATILE
- ECONOMICAL

# FULL SPECIFICATIONS



LEGEND: L = LENGTH H = HEIGHT W = WIDTH

## SPECIFICATIONS AND FEATURES

<b>Gauge</b>	0-10 k PSI (+/-1% Accuracy)		
<b>Stages</b>	4		
<b>Hour Meter</b>	Optional		
<b>Remote Control Length(s) Available</b>	15ft (5m), 30ft (10m), 50ft (15m), 65ft (20m), 98ft (30m), 164ft (50m)		
<b>Oil Cooler</b>	Yes		
<b>Number of Tools (Ports)</b>	1 or 4		
	<b>HY-115</b>	<b>HY-230</b>	<b>HY-400</b>
<b>Power</b>	1.6kW/2.2Hp - 15A	1.5kW/2.0HP - 7A	1.8kW/2.4HP - 6A
<b>Grid Requirement</b>	1Ph 90-125V / 60Hz (75-115V available)	1Ph 200-230V - 50Hz/60z	3Ph 380-460V - 50Hz+60Hz
<b>Reservoir Capacity</b>	2.1 Gal (8L)	2.1 Gal (8L)	1.37 Gal (5.2L)
<b>Width</b>	18.9" (480 mm)	18.9" (480 mm)	18.9" (480 mm)
<b>Length</b>	11.9" (303 mm)	11.9" (303 mm)	11.9" (303 mm)
<b>Height</b>	16.7" (423 mm)	16.7" (423 mm)	16.7" (423 mm)
<b>Weight</b>	60 lbs (27 kg)	60 lbs (27 kg)	60 lbs (27 kg)

HYTORC owns all content, copyrights, trademarks and patents in this document. © 2026 HYTORC. Any unauthorized use or distribution of any material from this document is strictly prohibited.



**Headquarters:**  
333 Route 17 N., Mahwah, NJ 07430  
+1-201-512-9500

**Contact:**  
1-800-FOR-HYTORC  
info@hytorc.com

**Online:**  
hytorc.com