

**QUICK SPECS**

Scan code for full specifications.

**POWER**

115V (18 Amp) / 230V (9 Amp) / 400V (6 Amp)

**RESERVOIR CAPACITY**

2 gal. / 7.5 l

**WEIGHT**

79 lbs. / 35.8 kg

**VECTOR**  
Hydraulic Pump

The world's most advanced hydraulic power pack, the VECTOR Pump stands alone as the fastest fully automatic Hydraulic Power System. Gauge-free operation means you simply select the HYTORC tool you're using and the desired torque on the digital remote. As the first pump to offer an LCD pendant control and automated regulation, HYTORC Vector pumps are fully upgradeable and more intuitive than ever. Open Protocol is available for the Vector family of pumps.

Just push the button and let the pump to do all the work!

- LCD PENDANT
- 4-STAGE DESIGN
- MODULAR DESIGN
- DOCUMENTATION UPGRADE

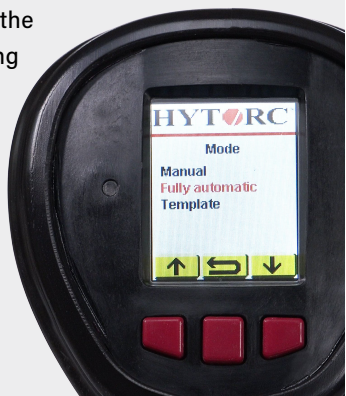
# GLOBAL-READY HYTORC VECTOR PUMPS ARE READY TO WORK ANYWHERE IN THE WORLD.

- 9 pre-loaded languages
- Ft-Lbs, Nm, or KPM
- PSI or BAR
- C, F & K temperature readouts
- 115V, 230V or 400V

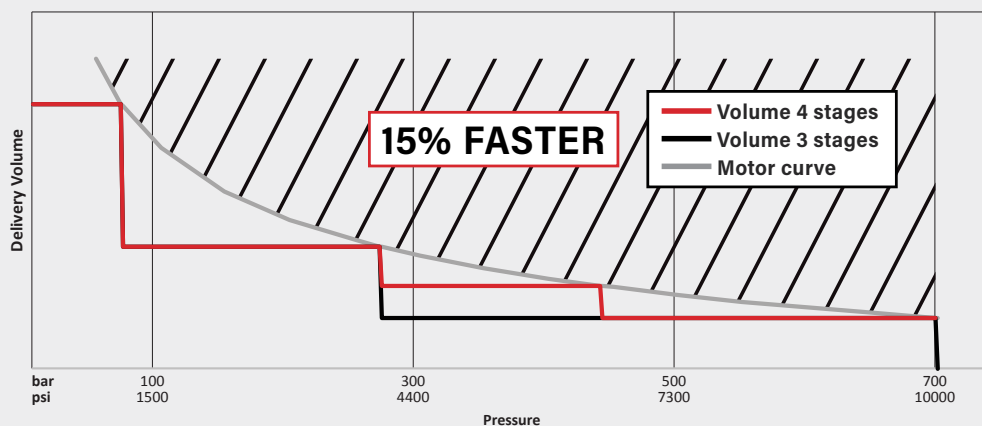


## MANUAL OR FULLY AUTOMATIC

The HYTORC VECTOR has manual and fully automatic modes. The seamless switch between them allows for use on a variety of jobs and applications. The available documentation feature allows complete job data capture for the entire bolting operation.



## 4-STAGE PUMP DESIGN



By adding a 4th pressure stage in the 4,000 to 7,000 psi range, the VECTOR Pump increases the flow of oil to the tool so the tool cycles faster; resulting in a 15% time savings over old 3-stage pumps.



### **BOLTING DOCUMENTATION**

Keep accurate records for better quality assurance. The VECTOR pump can be upgraded with a documentation feature that allows all bolting data to be recorded. Easily transfer the data to a computer via USB cable. A report is created and downloaded as a single package (.txt, .html, .csv, .json, .rpe).



### **VECTOR PUMP PROTECTIVE CASE**

The VECTOR Case helps protect your investment.

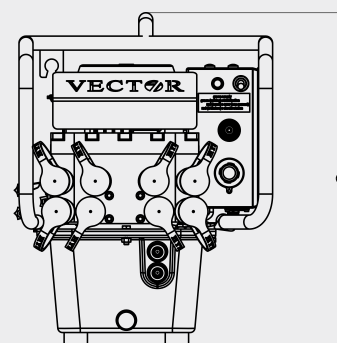
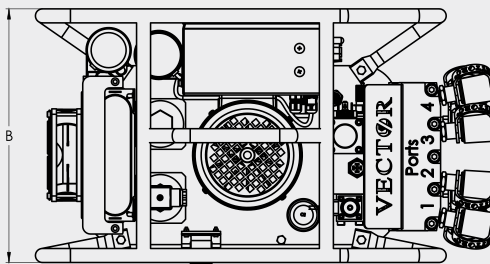
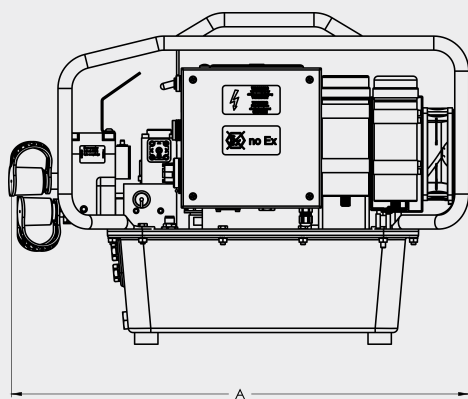


### **VECTOR PUMP SCANNER**

Enter job data quickly for fast setup.



# FULL SPECIFICATIONS



LEGEND: A = 22.0" (559 mm) B = 12.8" (326 mm) C = 16.8" (426 mm)

## PUMP SPECIFICATIONS AND FEATURES

	HY-V115 (60 Hz)	HY-V230 (50Hz)	HY-V400 (50Hz)
<b>Grid-Requirement</b>	1Ph 90-125 /60Hz	1Ph 200-230V / 50 + 60Hz	3Ph 380 - 460 / 50 + 60Hz
<b>Power</b>	1.6kW / 2.15HP - 18 AMP	1.5kW / 2.0HP - 9 AMP	1.8kW / 2.4HP - 6 AMP
<b>Data Recording</b>	Optional	Optional	Optional
<b>Gauge</b>	Digital	Digital	Digital
<b>Reservoir Capacity</b>	2 gals. / 7.5 l	2 gals. / 7.5 l	2 gals. / 7.5 l
<b>Stages</b>	4	4	4
<b>Weight (without oil fill)</b>	79 lbs. / 36 kg	79 lbs. / 36 kg	68.3 lbs / 31.2 kg
<b>15' Remote Control</b>	Yes	Yes	Yes
<b>Oil Cooler</b>	Yes	Yes	Yes
<b>Ports</b>	1 or 4	1 or 4	1 or 4
<b>Maximum Oil Flow Rate</b>			
1,000 PSI	610 cu.in./min.	549 cu.in./min.	549 cu.in./min.
70 bar	10.0 l/min.	9.0 l/min.	9.0 l/min.
<b>Middle Oil Flow Rate</b>			
3,900 PSI	171 cu.in./min.	147 cu.in./min.	147 cu.in./min.
270 bar	2.8 l/min.	2.4 l/min.	2.4 l/min.
<b>Middle + Oil Flow Rate</b>			
6,300 PSI	110 cu.in./min.	85 cu.in./min.	85 cu.in./min.
440 bar	1.8 l/min.	1.4 l/min.	1.8 l/min.
<b>High Oil Flow Rate</b>			
10,000 PSI	67 cu.in./min.	55 cu.in./min.	55 cu.in./min.
700 bar	1.1 l/min.	0.9 l/min.	0.9 l/min.

## COMPLETE KIT CONTENTS

- VECTOR Pump
- 15' Twin Line Hose

## DESIGNED TO GROW WITH YOUR BUSINESS - UPGRADE, DON'T REPLACE

Upgradeable Base Model	4 Port Fully Automatic	Documentation (Add Software)	Torque & Angle	Bluetooth*
1 Port Fully Automatic VECTOR-FA1	✓ VECTOR-FA4	✓ VECTOR-FA4-DOC	✓ VECTOR-FA1-TA	✓ VECTOR-FA1-DOC-BLU VECTOR-FA4-DOC-BLU
4 Port Fully Automatic VECTOR-FA4	N/A	✓ VECTOR-FA4-DOC	✓	✓ VECTOR-FA4-DOC-BLU

HYTORC owns all content, copyrights, trademarks and patents in this document. © 2023 HYTORC. Any unauthorized use or distribution of any material from this document is strictly prohibited.

**HYTORC**

**Headquarters:**  
333 Route 17 N., Mahwah, NJ 07430  
+1-201-512-9500

**Contact:**  
1-800-FOR-HYTORC  
info@hytorc.com

**Online:**  
hytorc.com