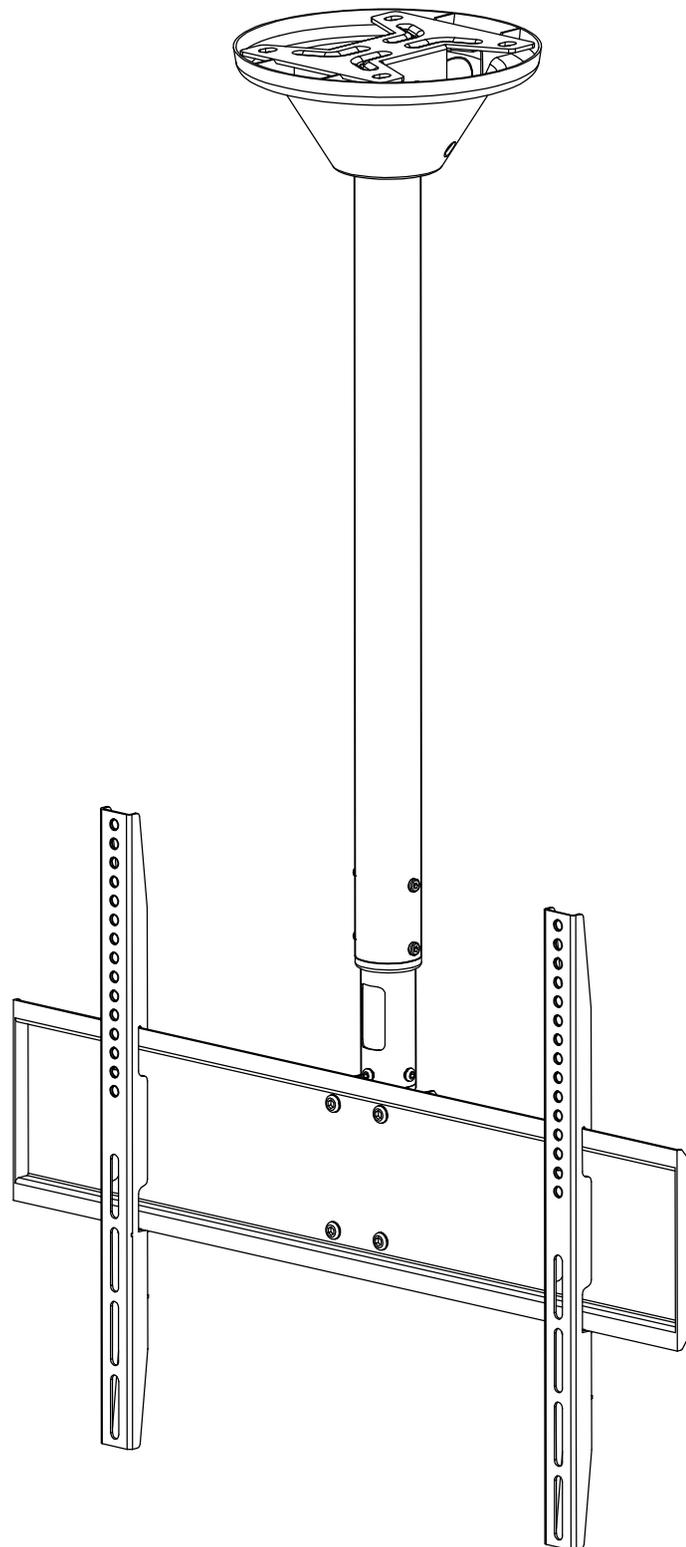


# HELIOS<sup>®</sup>

## Model AS-CM3260 Wall Mount

Ceiling Mount Television Bracket



# GETTING STARTED

## Introduction

Congratulations on the purchase of your new Helios™ AS-CM3260 Television Ceiling Mount. For maximum benefit, please read the entire manual before beginning installation.

**NOTE:** This wall mount has been designed to work with the Helios™ 2.1 or 3.1 Audio Mount™. This mount will also work directly with most 32 to 60 inch Plasma, LCD and LED televisions with a maximum weight of 132lbs (60kg).

## Safety Instructions

Please read this entire manual carefully before mounting this bracket to avoid bodily injury and/or any property loss. If you do not understand these directions, or have any doubts about the safety of the installation, please call a qualified contractor or contact the Helios™ customer service department @ 386-255-0234. Please check carefully to ensure there are no missing or defective parts. Our customer representatives can quickly assist you with installation questions and missing or defective parts. Replacement parts for products purchased through authorized dealers will be shipped to you directly. Do not attempt to use any parts not provided by the manufacturer. Using other screws could cause injury or property loss. Never use defective parts, as improper installation may cause damage or serious injury. Do not use this product for any purpose not explicitly specified by Helios™. Helios™ cannot be liable for damage or injury caused by incorrect mounting, incorrect assembly, or incorrect use.

- Read these instructions.
- Keep these instructions.
- Heed all warnings.
- Follow all instructions.
- **Be sure to choose a ceiling constructed using 2x4 studs or solid concrete, or other reinforcement strong enough to support the weight of the TV. The location should be safe from hazards such as water or crushable items. DO NOT ATTEMPT TO MOUNT THIS UNIT TO A HOLLOW CEILING!**

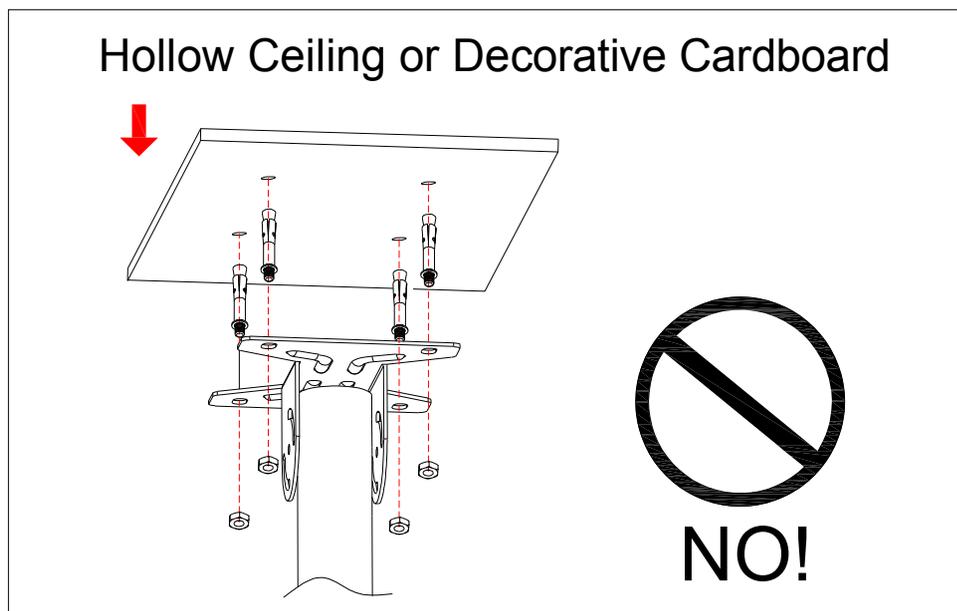


Figure 1 - Hollow Ceiling WARNING!

- **WARNING:** Use only the supplied screws intended for the current application to avoid personal injury or property damage.

# GETTING STARTED



## Opening the Package

The AS-CM3260 Television Ceiling Mount and accompanying hardware have been carefully packed in a carton designed to protect it from transportation damage. After opening the carton, check that the components are in good condition and that all listed contents are included.

## Package Contents

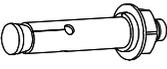
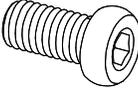
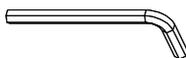
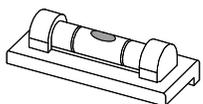
- Mounting Post
- Front Plate
- Bracket
- Plastic Cover
- Mounting/Assembly Hardware
- This User Manual

## Mounting Instructions

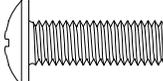
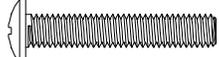
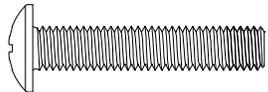
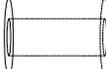
Please read all enclosed instructions and verify hardware contents carefully before mounting.

# GETTING STARTED

## ● Wall mounting hardware:

					
<b>01</b> --Concrete Anchor 4pcs	<b>02</b> --M8 washer 8pcs	<b>03</b> --M8x16 bolt 8pcs	<b>04</b> --M6x60 bolt 2pcs	<b>05</b> --M6 Nut 2pcs	
					
<b>06</b> --M8 Nut 4pcs	<b>07</b> --4mm Allen Key 1pc	<b>08</b> --5mm Allen Key 1pc	<b>09</b> --Wrench 1pc	<b>10</b> --Bubble level 1pc	<b>11</b> --M4x16 bolt 2pcs

## ● TV mounting hardware

				
a--M4x12 bolt 4pcs	b--M6x12 bolt 4pcs	c--M8x25 bolt 4pcs	d--M4x30 bolt 4pcs	e--M6x35 bolt 4pcs
				
f--M8x45 bolt 4pcs	g--M6x17mm spacer 4pcs	h--M8x22mm spacer 4pcs	i--M8x10mm spacer 4pcs	
				
j--2.5mm spacer 8pcs	k--M4 washer 4pcs	l--M6 washer 4pcs		

# INSTALLATION

## STEP 1

Read and understand all of the enclosed instructions and verify that all parts are present and appear in good working order before you begin.

## STEP 2

Choose a location on the ceiling for your new Helios™ TV Mount. Ensure there is adequate support in the ceiling to attach the ceiling plate with the supplied screws.

### Wood Stud Mounting

Locate the studs and mark the center and edge locations. Position the Ceiling Plate over the marked wooden stud areas and mark for drilling. Using the correct size drill bit, pre-drill a 2.5" deep hole in each marked location. Attach the Ceiling Plate to the ceiling joists using 2.5" wood lag bolts and washers (not included in installation kit). The Ceiling Plate is shown in Figure 2.

**NOTE:** This installation requires the use of additional support boards.

### Concrete Ceiling Mounting

Choose a solid ceiling area that will support the weight of the television. Position the Ceiling Plate and mark for drilling. Using the correct size drill bit, pre-drill a 2.5" hole in each marked location. Remove the nuts from the concrete bolts and insert a concrete anchor into each hole. Using the supplied wrench, attach the Ceiling Plate to the ceiling using the nuts you removed from the concrete bolts (Figure 2).

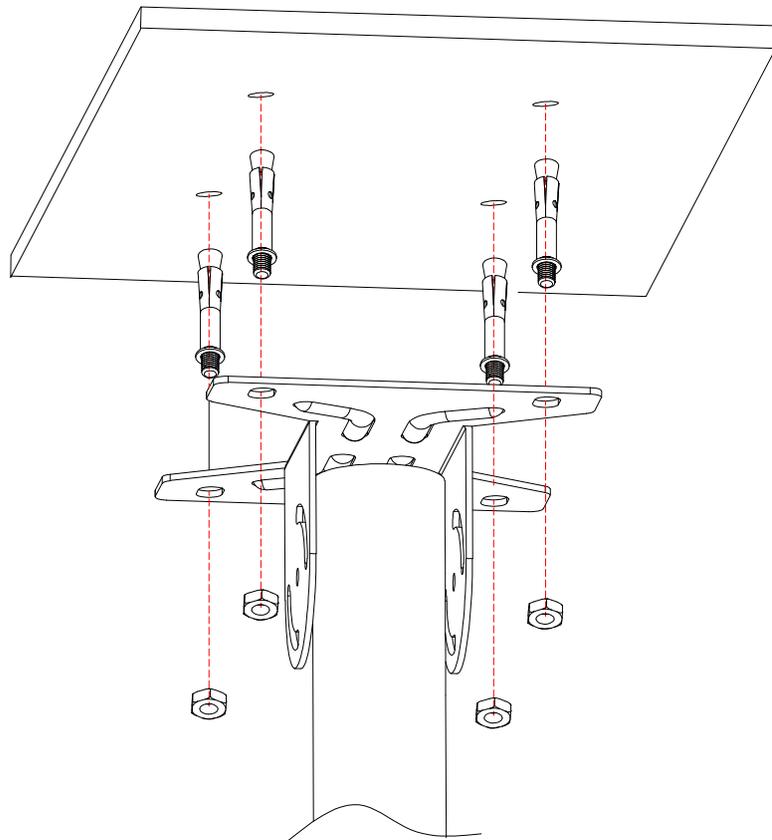


Figure 2 - Concrete Mounting

# INSTALLATION

## STEP 3

Slide the plastic cover over the pole until flush to the ceiling and align the screw holes. Use the included M6 x 60 bolts (Figure 3 - A) to secure the cover to the ceiling. For an angled ceiling, remove a side section of plastic at the opening around the pole before sliding over the pole. See Figure 3.

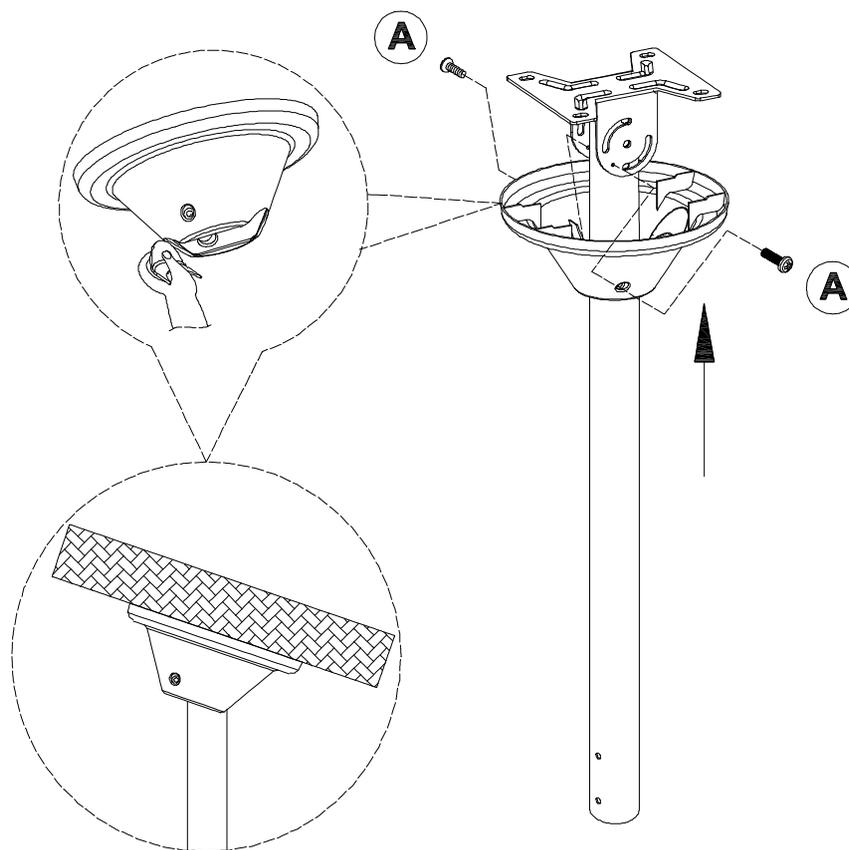


Figure 3 - Secure Plastic Cover Over Ceiling Plate

# INSTALLATION

## STEP 4

Adjust the pole height by removing the screws that connect the two sections together and sliding the pole. Align the screw holes and secure at the desired height using the included screws (Figure 4 - A).

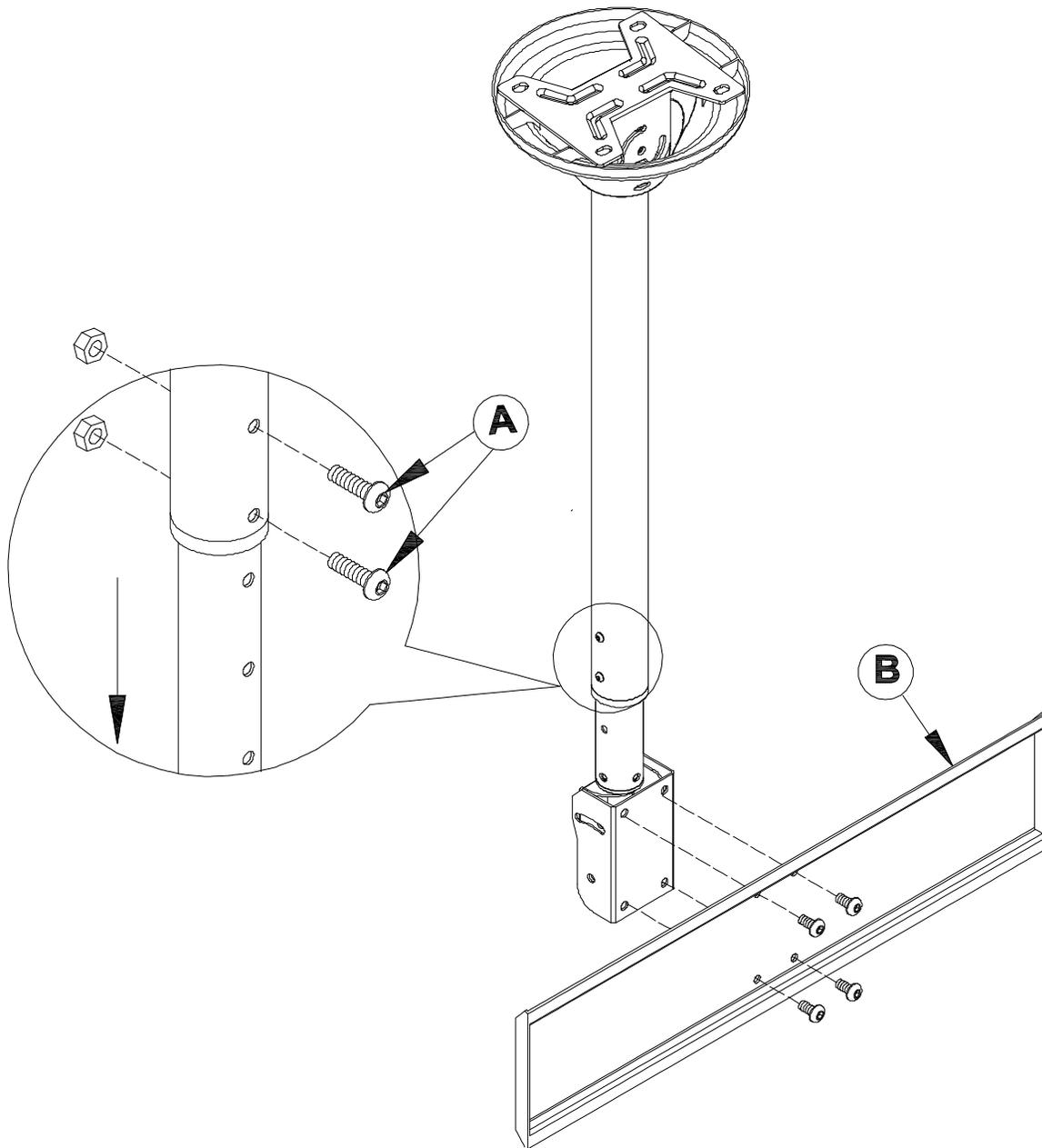


Figure 4 - Adjust Height/Install Front Plate

## STEP 5

Attach the front plate to the pivoting bracket (Figure 4 - B) using four M8 x 16 bolts.

# INSTALLATION

## STEP 6

In the hardware bag provided, locate the 4 pan head bolts that fit the thread pattern for your television or Audio Mount™. With the two vertical brackets centered on the back of the TV or Audio Mount™, gently thread the screws into the holes by hand, making sure to keep the brackets symmetrical. **DO NOT USE AN ELECTRIC OR BATTERY DRILL** until you are certain you have the right size thread. **DO NOT OVER TIGHTEN** the screws (Figure 5). When installing an AHelios Audio Mount™ 2.1 or 3.1, mount the television to the Audio Mount™ as instructed in the Audio Mount™ Owner's Manual and then mount the brackets to the back of the mount.

NOTE: Use the proper bolts and washers that correspond to the mounting holes on the back of the TV. Take care to tighten by hand first or damage to the mounting holes can occur. Some TVs without a flat back may require the use of a spacer when attaching the brackets. If applicable, make sure the two TV brackets are even and that they're using the same mounting holes on the bracket. Uneven assembly will cause the TV screen to slant.

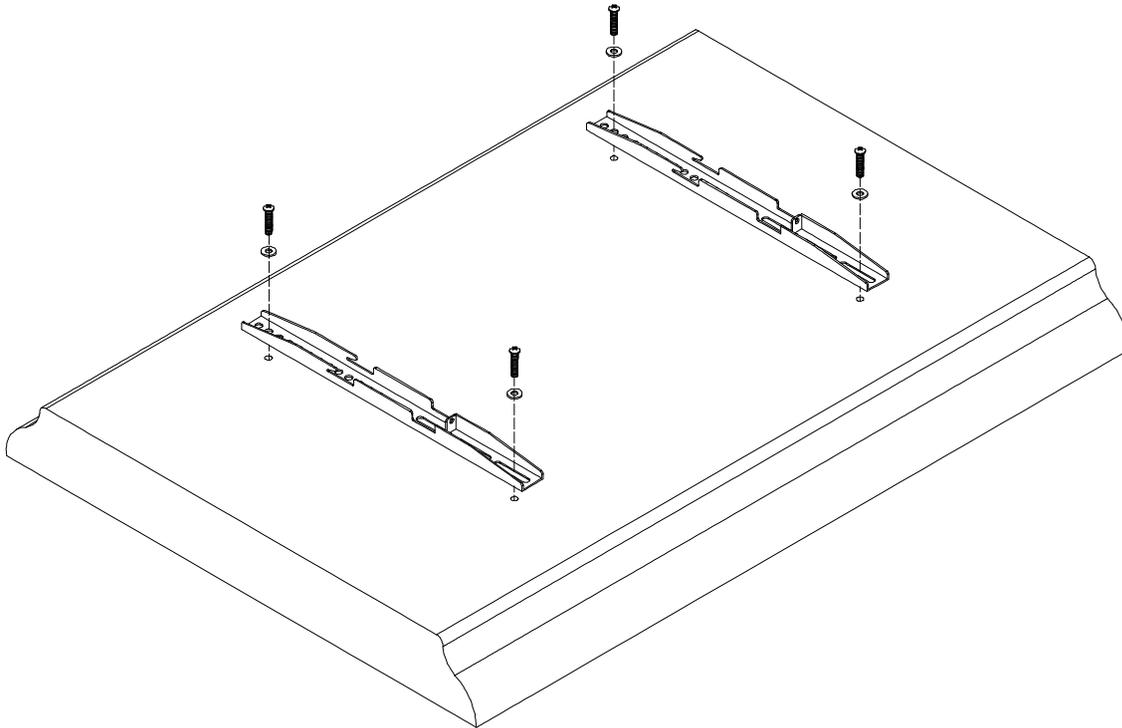


Figure 5 - Attach Brackets to television

NOTE: You will need at least 2 people to finish this mounting procedure. To avoid possible injury, do not attempt to mount the TV alone.

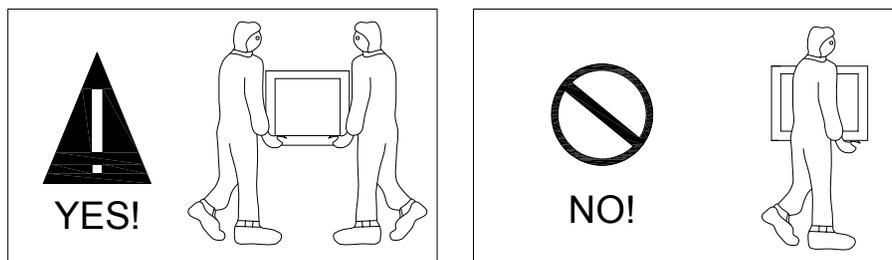


Figure 6 - two Person Install WARNING!

# INSTALLATION

## STEP 7

Hang the pre-assembled TV unit on the front plate, as shown in Figure 7. Tighten the screws (A) to secure the TV unit to the front plate. This wall mount is designed to conceal cables inside the pole. Run cables through the ceiling and out through the hole at the bottom of the pole for a clean look.

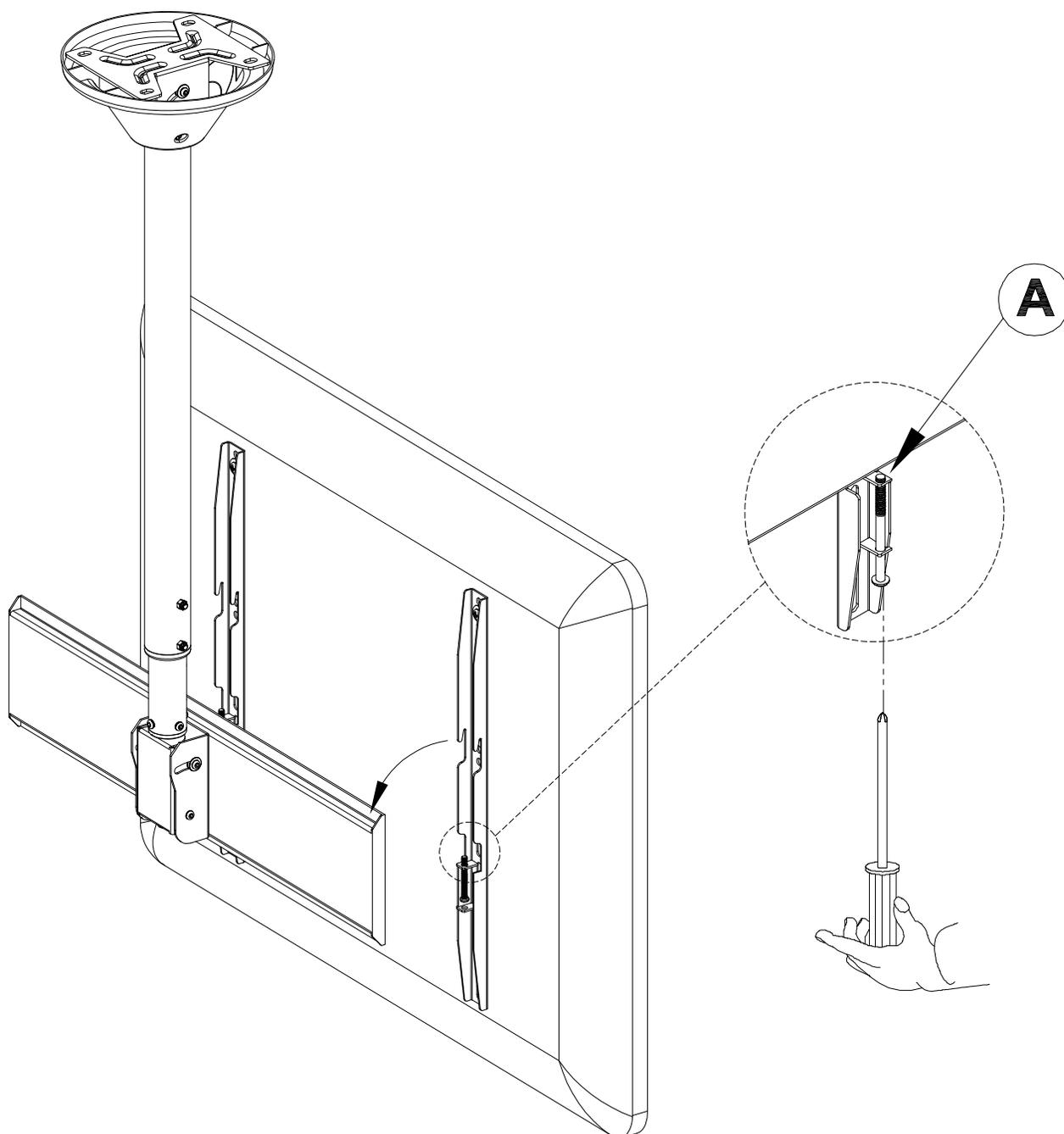


Figure 7 - Attach tV Assembly to Front Plate

# INSTALLATION

## STEP 8

**NOTE:** Angle/Height adjustment should be done by at least two people.

- (A) While another person is holding the television assembly, loosen the two screws on either side of the mounting plate and tilt the television up to 5 degrees back or 15 degrees forward. Tighten the screws when the desired angle is achieved.
- (B) To adjust the height, remove the screws to separate the two sections of pole and slide the pole up/down until you reach an acceptable height that corresponds with screw holes. Replace the screws and tighten to secure. A second person (or two) must hold the television during adjustment to avoid damaging the television or mount. Use caution when raising or lowering to avoid damaging the wires inside the pole. WHILE THE SCREWS ARE LOOSE, THE BOTTOM POLE COULD SLIDE OUT.

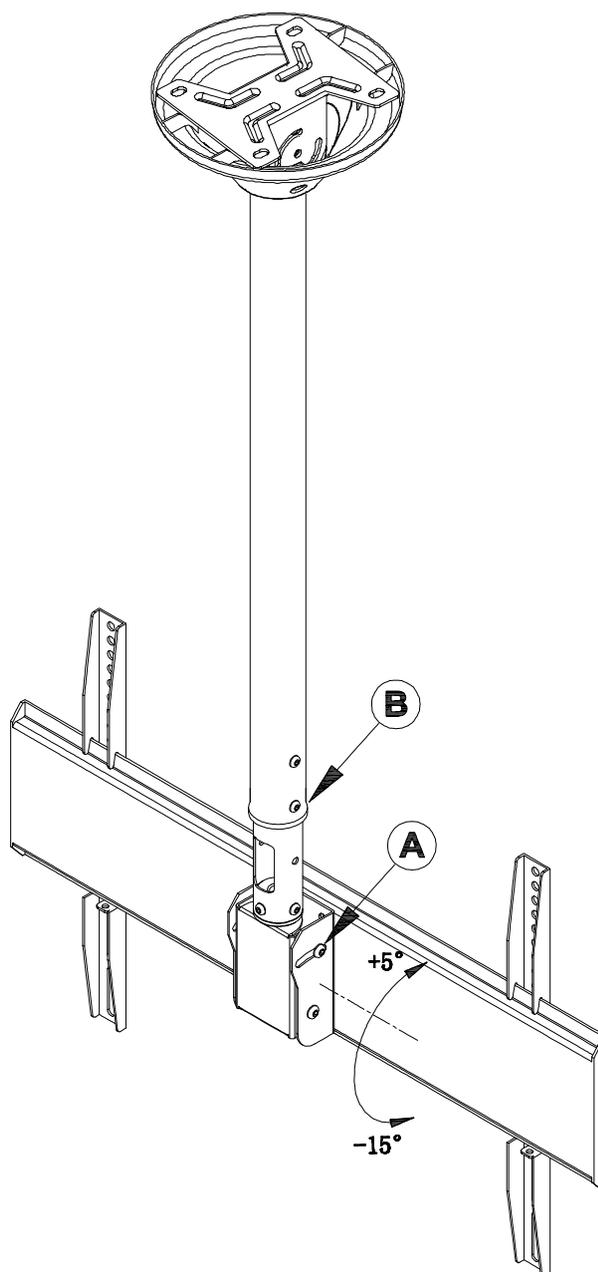


Figure 8 - Adjust Angle/Height

# LIMITED WARRANTY

## Helios® – Limited Warranty – Valid in the United States and Canada

This 60 month limited warranty is provided by Metra Electronics Corporation for the Metra product identified by the purchaser's registration as indicated below, and there are no other warranties, expressed or implied, except as required by law, including warranties of merchantability and fitness for a specific purpose, that are provided for herein, however all such implied warranties, if any, are limited to the duration of this specific limited product warranty. Some states do not allow limitations on how long an implied warranty lasts, so the above limitations may not apply to you.

Metra Electronics Corporation shall not be liable, under any circumstances, for incidental, indirect, special, and consequential or multiple damages as a result of the sale or use of this product. Some states/countries do not allow the exclusion or limitation of incidental or consequential damages, so the above limitation or exclusion may not apply to you. It is recommended that the purchaser execute the product registration and warranty registration via the web within ten days of purchase.

### Limited Product Warranty:

This is a 60 month limited warranty, subject to the conditions, limitations and exclusions identified herein. Metra Electronics Corporation warrants to the original purchaser of the registered or identified product for a period of five years from the date of purchase, that the product shall be free of defects in design, material and workmanship, and subject to the limitations set forth below; Metra Electronics Corporation will repair or replace, at its option, any defective unit. This warranty is applicable only to the original purchaser and is not assignable or transferable. Metra hereby warrants to the original retail purchaser of this product that should this product or any part thereof, under normal use and conditions, prove to be defective in material or workmanship within five years from date of original purchase, such defect(s) will be repaired or replaced with reconditioned product (Metra's option) without charge for parts and repair labor. Purchaser must return the product to Metra, return receipt requested or by other means that confirms delivery and Metra shall make the said repairs or replacement within 60 days of receipt. In some instances the product may have been discontinued and cannot be replaced, or repaired. In that instance Metra shall in its discretion attempt to replace the product with a substantially similar product in model or design or pay the purchaser a sum for the then fair market value of the price, considering the amount of time since sale, and the use of the product. This Limited Warranty is the original retail purchaser's sole remedy for any and all such defect(s).

### Conditions and Limitations:

- (1) Proof of purchase is required (i.e. the sales receipt or other proof of payment, such as the bar code and serial number from the shipping box), and
- (2) Products must be registered with Metra Electronics by using either the enclosed registration card, or using Metra's online services for registration purposes. Products that have not been registered will not be covered by Metra's extended limited five year warranty, but instead will only be warranted for the terms required by the State of purchase, if any.
- (3) Damage caused by accidents, abuse, misuse or modification of the product will render this warranty null and void.
- (4) To obtain repairs or replacement under the terms of this warranty, please contact Metra at 386-255-0234 or visit [www.metra-online.com](http://www.metra-online.com). You will need to provide proof of purchase (dated receipt showing store where purchased) and product serial number in order to receive warranty service. The purchaser is required to send the product back to Metra Electronics Corp or to a designated repair center and the purchaser is responsible for all charges for shipping and handling.

### This Limited Warranty does NOT cover:

Products which have been subject to abuse, accident, alteration, modification, tampering, negligence, misuse, improper installation, lack of reasonable care, unauthorized repair or service, or if the model or serial number has been altered, tampered with, defaced or removed.

Initial installation or the removal and re-installation of product.

- (1) Cosmetic damage, damage that occurs in shipment, act of God or natural disaster.
- (2) Missing accessories or components.
- (3) Products used for any and all commercial purposes.

THE EXTENT OF METRA'S LIABILITY UNDER THIS WARRANTY IS LIMITED TO THE REPAIR OR REPLACEMENT AS PROVIDED ABOVE AND, IN NO EVENT SHALL METRA LIABILITY EXCEED THE PURCHASE PRICE PAID BY THE ORIGINAL RETAIL PURCHASER FOR THE PRODUCT.

Any questions of Notifications regarding this warranty should be addressed to:  
Warranty Department, Metra Electronics Corporation  
460 Walker Street, Holly Hill, Florida 32117.

THIS WARRANTY IS IN LIEU OF ALL OTHER EXPRESS WARRANTIES OR LIABILITIES. ANY IMPLIED WARRANTIES, INCLUDING ANY IMPLIED WARRANTY OF MERCHANTABILITY, SHALL BE LIMITED TO THE DURATION OF THIS WRITTEN WARRANTY. IN NO EVENT SHALL METRA BE LIABLE FOR ANY CONSEQUENTIAL OR INCIDENTAL DAMAGES FOR BREACH OF THIS OR ANY OTHER WARRANTY EXPRESS OR IMPLIED WHATSOEVER.

No person or representative is authorized to assume for Metra any liability other than expressed herein in connection with the sale of this product. Some jurisdictions do not allow limitations on how long an implied warranty lasts or the exclusion or limitation of incidental or consequential damages so the above limitations or exclusions may not apply to you. This warranty gives you specific legal rights and you may also have other rights, which vary from jurisdiction to jurisdiction.



© 2024 Ethereal

460 Walker Street, Holly Hill, FL 32117-2653

Specifications are subject to change without notice.

All trademarks are the property of their respective owners.

386-255-0234 . [www.EtherealPro.com](http://www.EtherealPro.com)

MADE IN CHINA