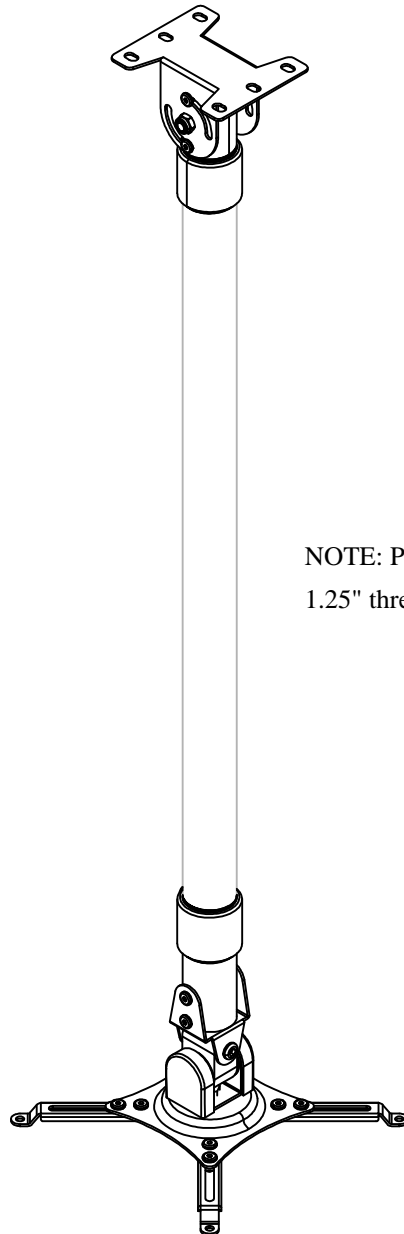


HELIOS™

Assembly Instructions

PMNPT



NOTE: Pole not included.
1.25" threaded NPT pipe required

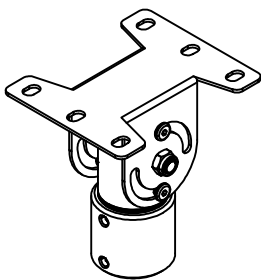
-
- Please read these instructions carefully before using.
 - Load capacity: 10kg (22Lbs).

PMNPT Safety

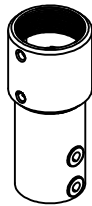
Thank you for selecting the Helios PMNPT for your installation.

Before starting your installation please read and understand all of the directions, if you are unsure or have any doubts about the installation please contact an installation professional or Helios customer support. Please check carefully to verify that there are no missing and/or damaged parts. Never use damaged parts to do your installation as that may cause property damage or injury. Our customer service have quickly assist you with installation questions or parts request. Do not use the PMNPT for any purpose other than that specified by Helios. Helios is not liable for damage or injury caused by incorrect assembly, mounting or use.

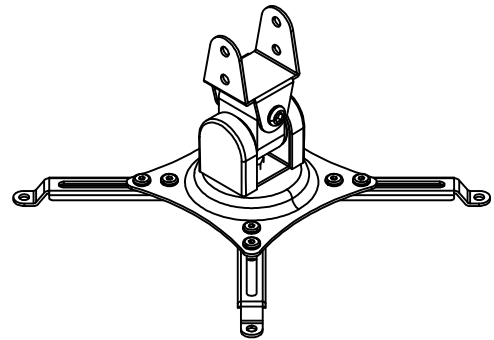
● **Supplied Parts and Hardware: Some parts not shown at same scale**



A--Wall plate unit
1pc



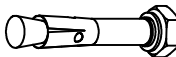



B--Connecting sleeve unit
1pc



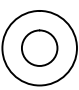


C--projector bracket unit
1pcs

● **Supplied Parts and Hardware: Some parts not shown at same scale**

			
a-- M6×8 bolt 4pcs	b-- M6×15 bolt 4pcs	c-- Concrete 4pcs	d-- 4mm Allen Key 1pc

● **Supplied Projector Hardware:**

		
e-- M4X12 bolt 4pcs	f-- M5X12 bolt 4pcs	g-- M4/M5 washer 4pcs

NOTE: A 1.25" threaded NPT pipe of your desired length is required for installation.

Mounting Directions:

Step 1: Mounting the ceiling plate

Drywall Ceiling: When mounting to a dry wall ceiling it is very important that you **DO NOT** mount directly to the drywall only. You will need to provide blocking (at least 3/4") between the ceiling joists to add strength and carry the weight. It is also strongly suggested that you lag thru the center point holes into a joist.

Concrete Ceiling: Choose a smooth and solid area (avoid hollow areas and/or mortar joints) and mark the bolt mounting spots. Pre-drill the four corner holes with an 8mm concrete drill bit, insert the concrete bolts into the hole and tap into place with a hammer. Remove the retaining nuts and mate the ceiling plate with the bolts replace the nuts and tighten (securely).

▲ Attention: To be ensure safety, be sure to specify the location of the ceiling installation by professionals to help, so that the ceiling has sufficient strength can long support the total weight of the TV and the bracket (Figure A), incorrect installation places may cause the projector to fall and ause personal injury (Figure B).

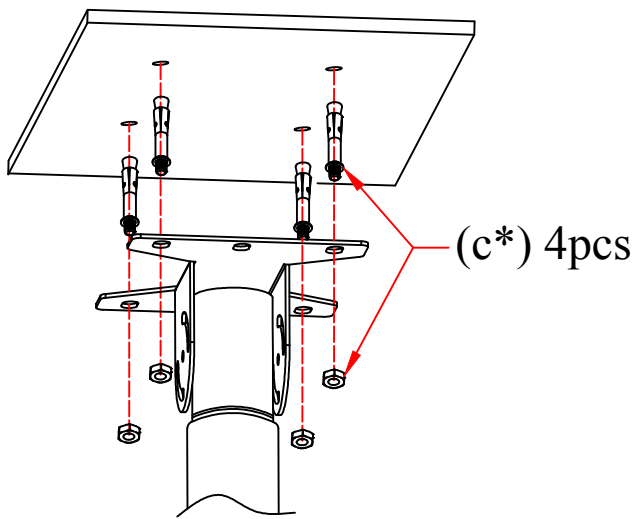


Figure 1 (keep the plate level)

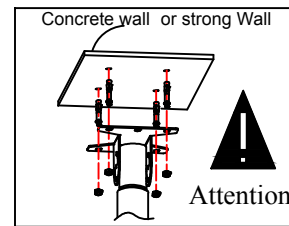


Figure A

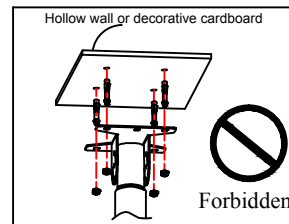


Figure B

Step 2: Attach the bracket to the Projector. (Figure 2)

Arrange the Projector Top Mount portion of the PMNPT so that it is centered on the top of the Projector, select the correct mounting screw/washer combo and secure the mount to the Projector.

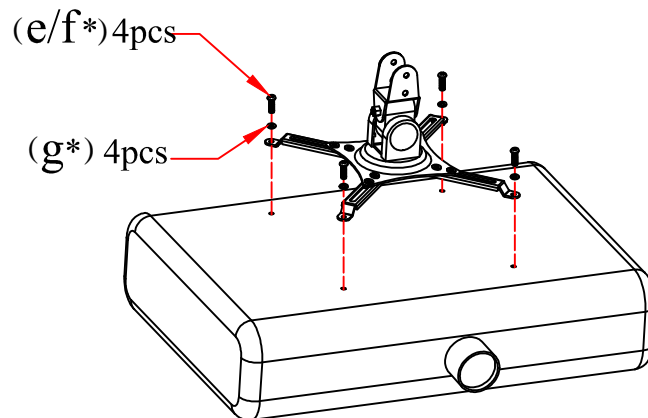


Figure 2

Step 3: Insert and tighten NPT pipe into ceiling plate (Part A).
Insert and tighten lower receiver onto NPT pipe (Part B).
Insert and tighten locking screws (a) into upper and lower sections.

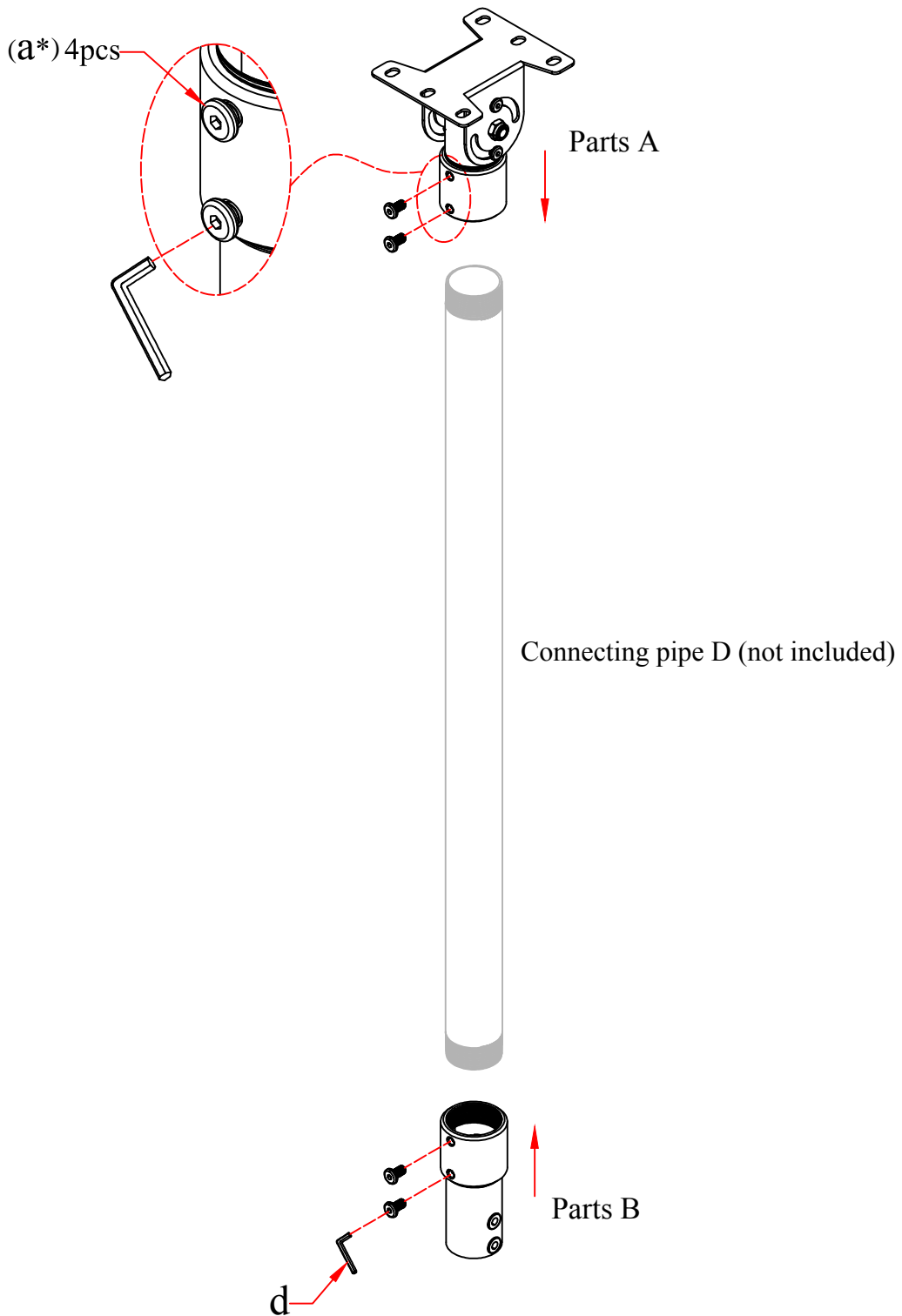
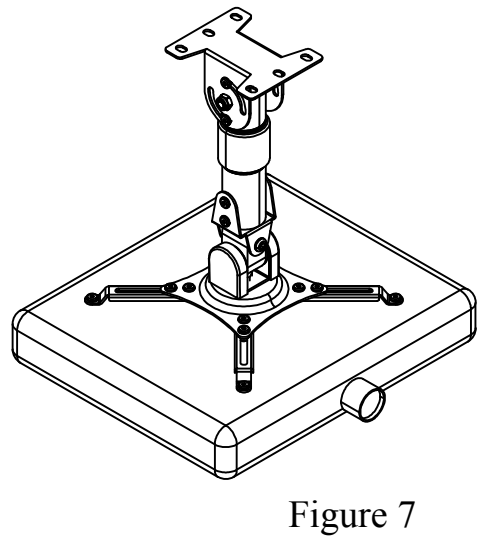
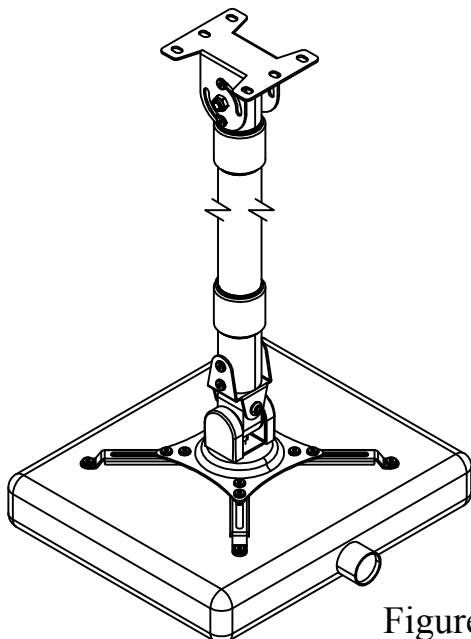
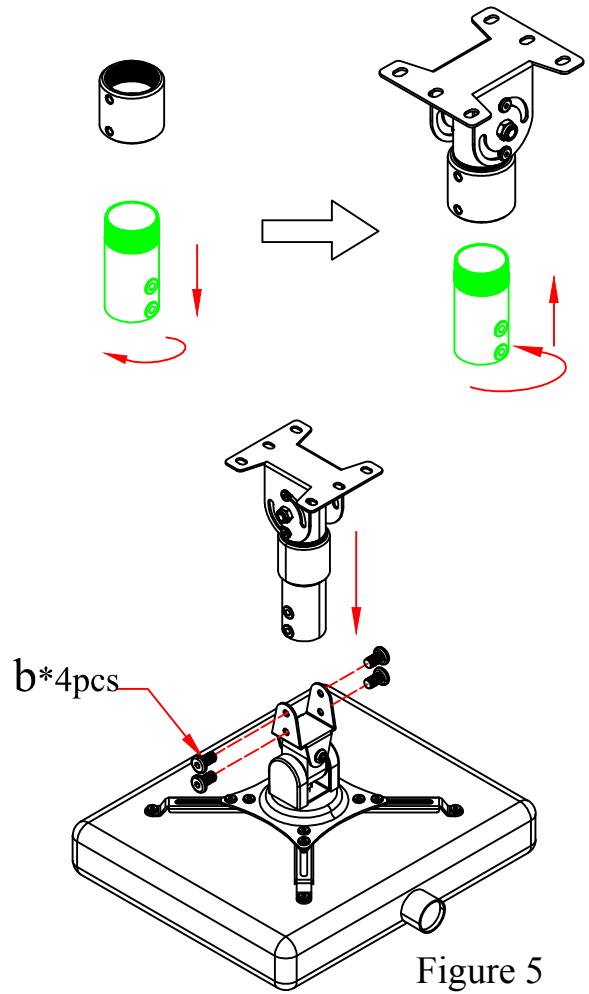
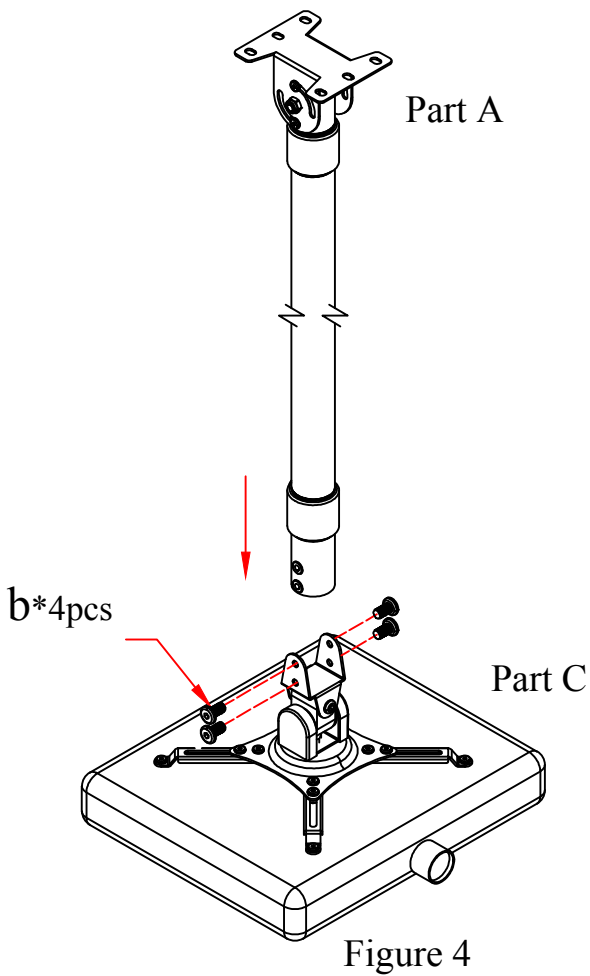


Figure 3

Hi vt g'6 Connect the Projector Top Mount (Part C) to the lower receiver (Part B).
Secure with screw (b) and tighten.



▲ Pay attention: Please arrange all power and signal cables to avoid any pinch points of the projector mount.

HELIOS™

©2016 Metra Electronics Corporation, 460 Walker Street, Holly Hill, FL 32117-2699
Specifications are subject to change without notice.
All trademarks are the property of their respective owners.

1-866-839-9187 • www.metrahometheater.com