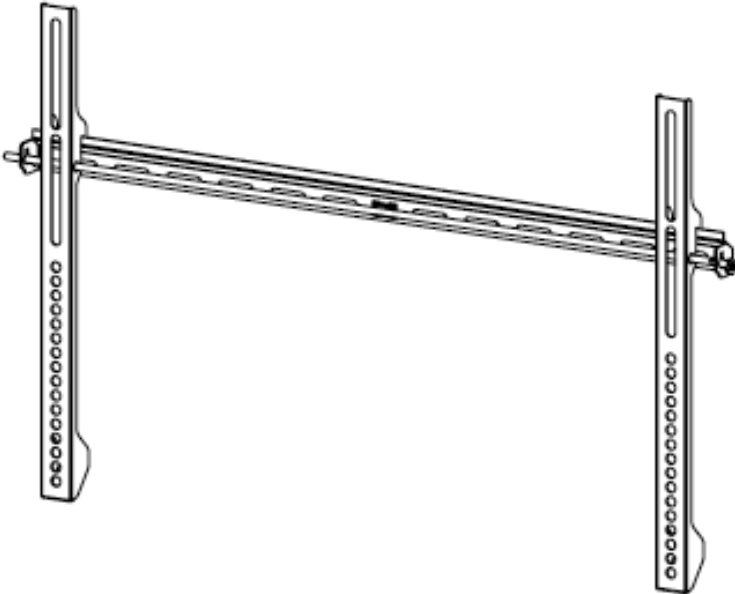


# HELIOS™

## Assembly Instructions

CS-LP44E (M) / CS-LP64E (L)

---



- 
- Please read these instructions carefully before using.
  - Max screen size: 55" (M) / 70" (L)
  - Load capacity: 100 lbs/60kg (M) : 150 lbs/68kg (L)

## TOOLS NEEDED

Herramientas Necesarias  
Outils Requis



7/32"  
5.5 mm



3/8"  
10 mm



## SYMBOLS



**Drill**  
Agujerear  
Perceur



**Level**  
Nivel  
Niveau



**Socket Wrench**  
Llave española  
Clé ouverte



**Caution**  
Precaución  
Attention



**Tighten**  
Apretar  
Serrer



**Pencil Mark**  
Marque con lápiz  
Marque de crayon



**Screwdriver**  
Destornillador  
Tournevis



**Heavy!**  
Très Lourds!  
Pesado!

## HARDWARE PART NUMBERS



**1**  
M4 x 12  
X 4



**2**  
M5 x 12  
X 4



**3**  
M6 x 15  
X 4



**4**  
M8 x 15  
X 4



**5**  
M4 x 30  
X 4



**6**  
M5 x 30  
X 4



**7**  
M6 x 30  
X 4



**8**  
M8 x 30  
X 4



**9**  
**SQUARE WASHER**  
X 4



**10**  
5mm  
**SPACER**  
X 4



**11**  
10mm  
**SPACER**  
X 4



**12**  
X 2  
**Lag Bolts**



**13**  
X 2  
**LAG BOLT WASHER**



**14**  
X 2  
**ANCHOR**



**15**  
X 2  
**STEEL WASHER**

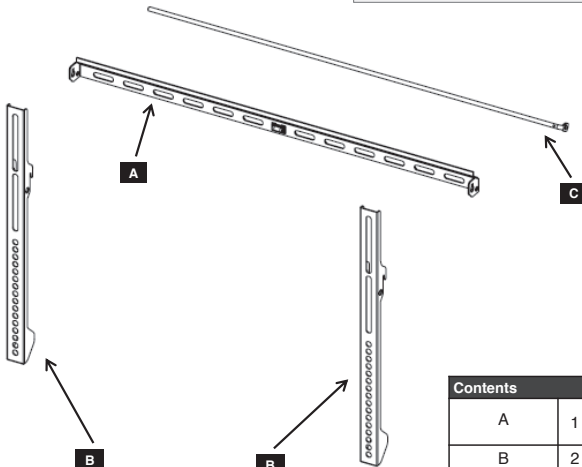
## PRODUCT COMPONENT PARTS

### Universal Adapter Range (W x H)

Minimum: 100mm x 100mm (Medium and Large)

Maximum: 400mm x 400mm (Medium)

Maximum: 600mm x 400mm (Large)



Contents		
A	1	Wall Plate (Bubble Level included)
B	2	Vertical Rails
C	1	Locking Bar

# Safety Warning

Thank you for selecting this Helios mount for your installation. Before starting your installation please read and understand all of the directions.

If you are unsure or have any doubts about the installation please contact an installation professional or Helios customer support.

- Check the packing list and boxed products carefully to verify that there are no missing and/or damaged parts.
- Never use damaged or incorrect parts to do your installation as that may cause property damage or personal injury.
- Our customer service can quickly assist you with installation questions or parts request.
- Do not use this Helios mount for any purpose other than that specified by Helios. Helios is not liable for damage or injury caused by incorrect assembly, mounting or use.

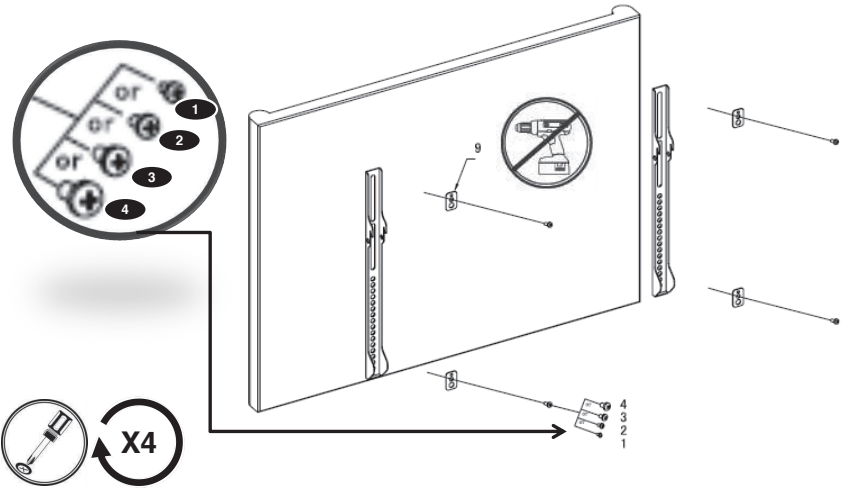
Helios customer support:  
Hours: Monday - Friday, 9 AM to 6 PM  
Phone Number: (866) 839-9187  
Email: [support@audiosolutions.com](mailto:support@audiosolutions.com)

# Installation and Mounting Directions

## STEP 1- FLAT BACK FLAT PANEL

### Connect vertical rail to flat panel

Conecte el adaptador al monitor  
Connectez l'adaptateur au moniteur

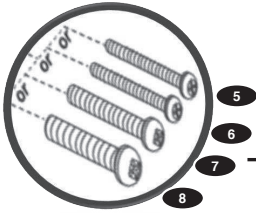


# Installation and Mounting Directions

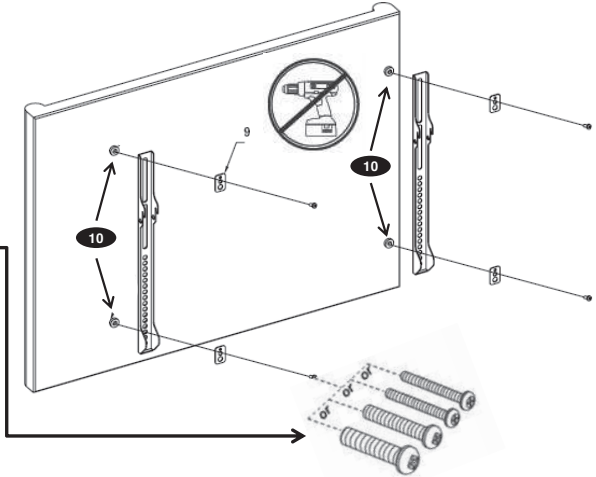
## STEP 1- CURVED BACK FLAT PANEL

### Connect vertical rail to flat panel

Conecte el adaptador al monitor  
 Connectez l'adaptateur au moniteur



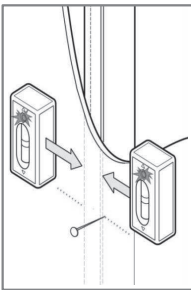
Spacers can also be used to provide clearance for cables and connectors.



## STEP 2A- WOOD STUD INSTALLATION (CONCRETE INSTALLATION SKIP TO 2B)

### Find stud and mark edge and center locations

Ubique el panel y marque las ubicaciones de los bordes y el centro.  
 Repérez l'emplacement d'une poutre, puis marquez l'emplacement des bords et du centre de cette poutre.



**LEVEL WALL PLATE WITH INCLUDED BUBBLE LEVEL AND MARK HOLES FOR DRILL BIT PILOT HOLE**

**DRILL BIT NOT INCLUDED**

7/32"

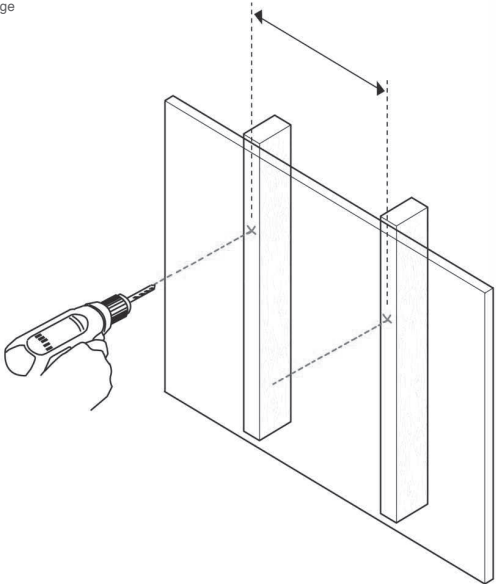
5.5mm

(2 3/4") 70mm

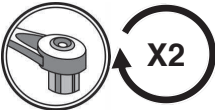
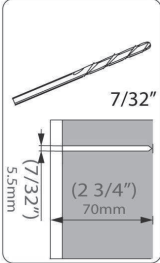
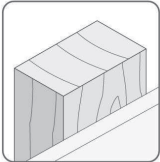
# Installation and Mounting Directions

## STEP 2A – DRILL PILOT HOLE

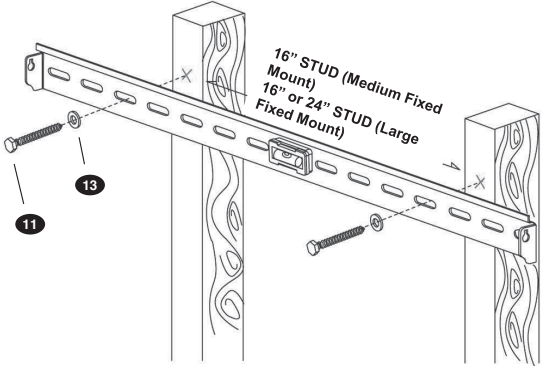
**Drill pilot hole**  
Realice el agujero piloto  
Percez le trou de guidage



**Wood Stud**  
Panel de madera  
Poutre de bois



## STEP 2A - WOOD STUD INSTALLATION CONTINUED

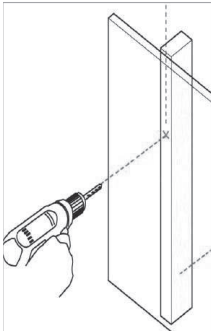


# Installation and Mounting Directions

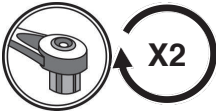
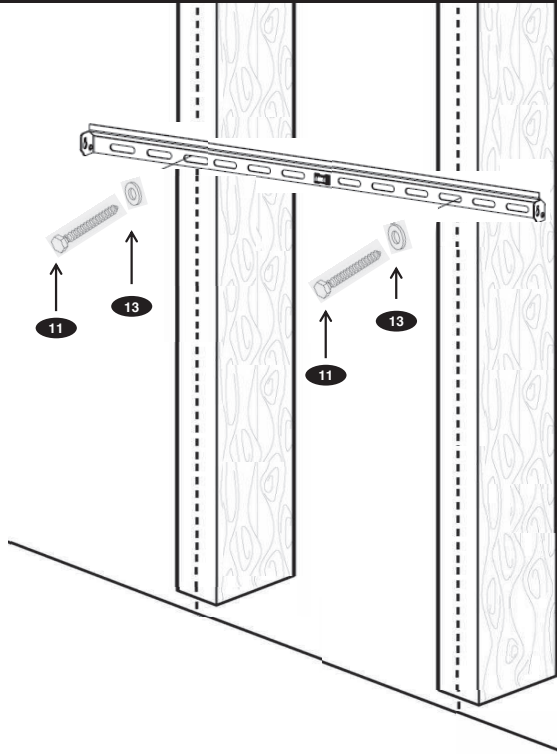
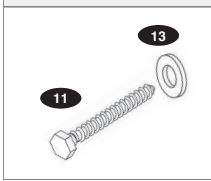
## STEP 2A - MOUNT WALL PLATE

### Mount wall plate

Coloque la placa de pared  
Montez la plaque murale



Secure lag bolts with  
steel washer to Wall  
Plate



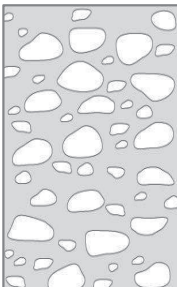
## STEP 2B - SOLID CONCRETE INSTALLATION

### Use wall plate to mark mounting locations/ drill pilot holes

Use la placa de pared para marcar el lugar donde se realizará la instalación  
Utilisez la plaque murale pour marquer l'emplacement de montage

#### Solid Concrete

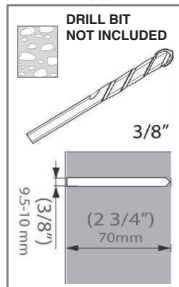
Concreto sólido  
Béton massif



#### Drill Bit

S. broca  
Foret

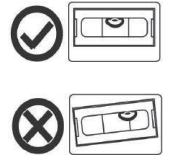
DRILL BIT  
NOT INCLUDED



#### Level

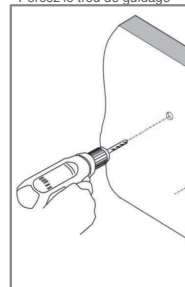
Nivelado  
Level

LEVEL WALL PLATE  
WITH INCLUDED  
BUBBLE LEVEL AND  
MARK HOLES FOR  
DRILL BIT PILOT HOLE

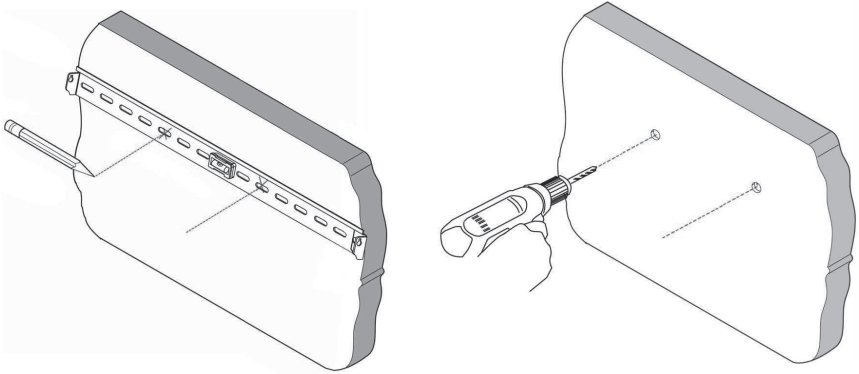


#### Drill pilot hole

Realice el agujero piloto  
Percez le trou de guidage

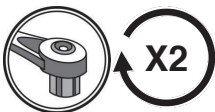
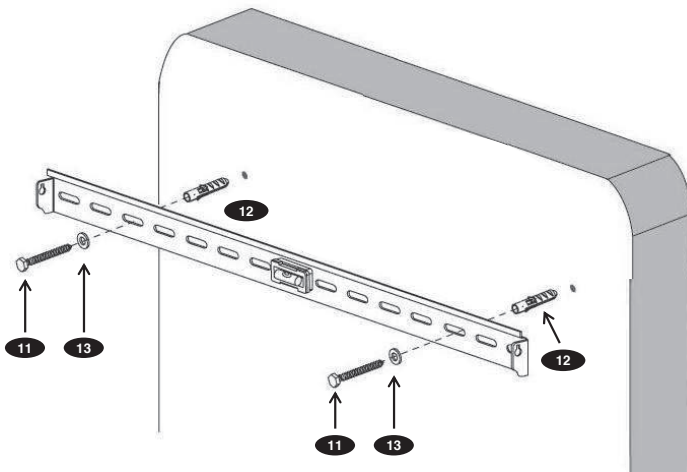


# Installation and Mounting Directions



## STEP 2B – SOLID CONCRETE CONTINUED

**Mount wall plate**  
Coloque la placa de pared  
Montez la plaque murale

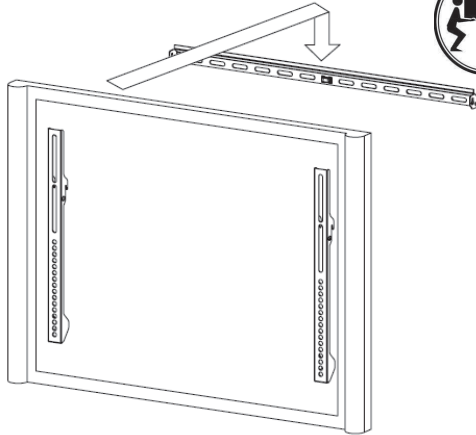


# Installation and Mounting Directions

## STEP 3

### Hang vertical rails with monitor attached

Cuelgue con el monitor adherido.  
Accrochez avec le moniteur installé.





**Heavy, Assistance Required**

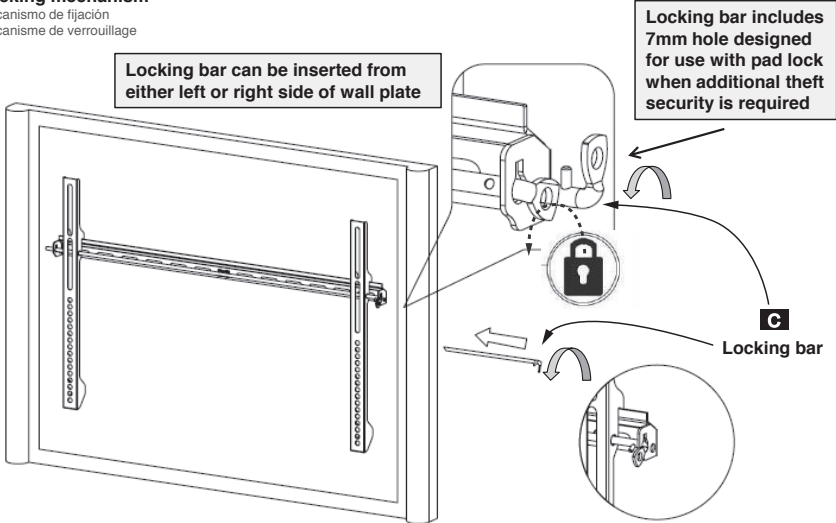
**TRES LOURD !** Cette etape requiert deux personnes

**¡PESADO!** Necesitara ayuda para realizar esta operacion

## STEP 4

### Locking mechanism

Mecanismo de fijación  
Mécanisme de verrouillage



**HELIOS™**

**Metra**  
HOME THEATER GROUP

1-866-839-9187  
www.metrahometheater.com