

HELIOS[®]

FMM44

ASSEMBLY INSTRUCTIONS



-
- Please read this instruction carefully before assembly.
 - This model will hold 26-60in plasma and LCD TV.
 - Weight Capacity :66LBS (30KG).

▲ CAUTION :

SAFETY WARNING:

Never let children climb on product or play with product.

Do not sit or stand on product.

Do not fasten a TV that is heavier than the recommended load rating to the mount.

Using suitable concrete wall or wood stud wall.

Improper installation may cause property damage and/or personal injury, so the installation must be done by two qualified contractors. The manufacture is not liable for damage or injury caused by incorrect mounting, assembly or use.

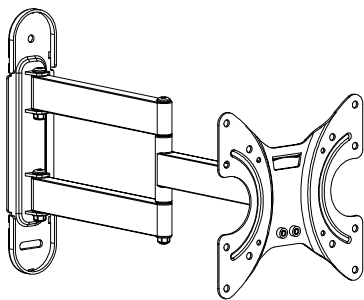
Improper handling can result in cuts and lacerations.

Pictures for reference only, subject to our available products.

Keep this instruction for future reference.

▲ **CAUTION** : This mount is intended for use with weights not exceeding "maximum weight capacity 66lbs." The wall itself has to be capable of supporting 4X standard weight. Pls don't over tighten screws in order to avoid any injury. Use with products heavier than the maximum weights indicated may result in collapse of the mount and its accessories causing possible injury.

● Part list:



A-Wall plate unit 1pc



B-Extender(L)
2pcs

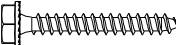


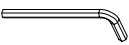








C-Extender(R)
2pcs


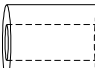
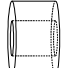





D-Plastic Cover
2pcs

● Hardware list:

			
01 --Lag bolt 2pcs	02 --Anchor 2pcs	03 --M6X8 bolt 8pcs	04 --Alley key 1pc

					
a--M4X12 bolt 4pcs	b--M6X12 bolt 4pcs	c--M8X25 bolt 4pcs	d--M4X30 bolt 4pcs	e--M6X35 bolt 4pcs	f--M8X45 bolt 4pcs

					
g--M6x17mm spacer 4pcs	h--M8x22mm spacer 4pcs	i--M8x10mm spacer 4pcs	j--2.5mm spacer 8pcs	k--M5 washer 4pcs	l--M6 washer 4pcs

Step 1: Remove the bolts ① with Allen key ④ to separate wall plate unit (A) into two pieces.(Figure 1)

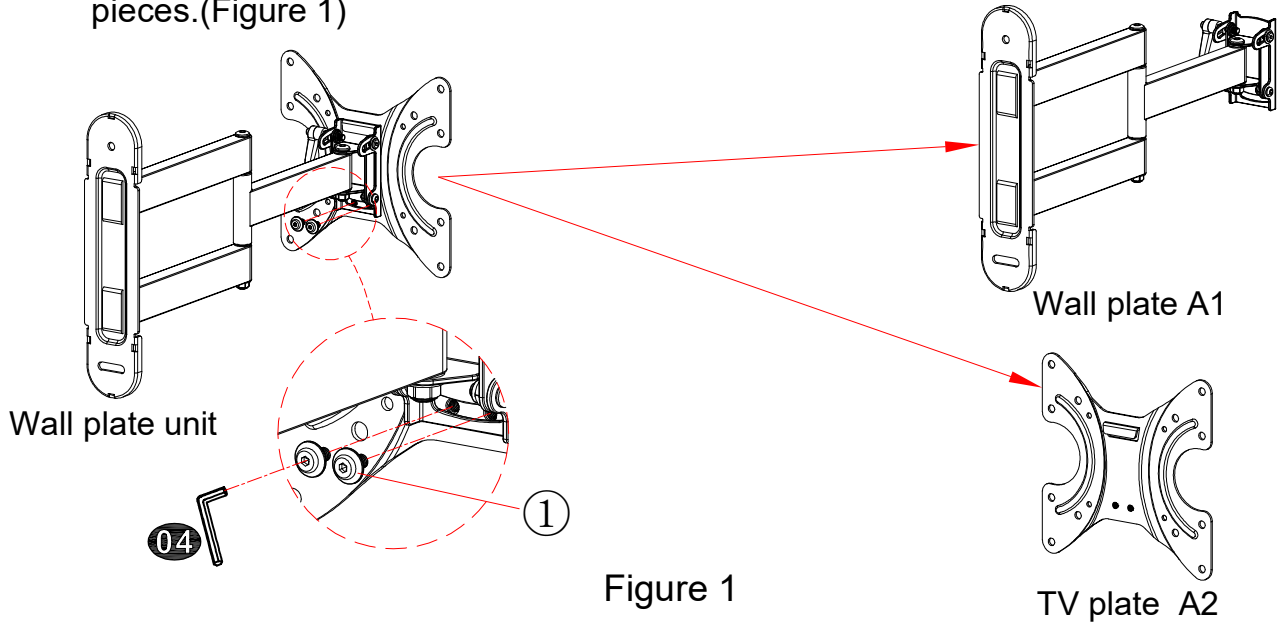


Figure 1

Step 2: Pls remove the plaster board on the surface of concrete wall when assembling mount on the concrete wall.Hold wall plate (A1) against wall at desired position on concrete wall, then using a pencil mark 2 hole locations. Then drill holes according pencil marks using 3/8" size drill bit to a depth of 2.36". Then you will need to use wall anchors ②. Insert wall anchors ② into holes, you may need to use hammer to lightly tap wall anchors into wall. Then fix wall plate (A1) to the wall with screws ①. (Figure 2)

▲ CAUTION: The concrete wall minimum thickness no less than 5.5 inches, and surface covering can't more than 3/8 inches.

If you mount TV mount into wood studs ,pre-drill the mark 2 holes using 5/32" drill bit to a depth of 2.36", fix wall plate (A1) to the wall with screws ①. (Figure 3)

▲ CAUTION: The wood stud min size is 2x4 inches, and surface covering can't more than 5/8 inches. Drill hole on the wooden pillars middle line.

▲ CAUTION: Don't use it on the concrete block.

Concrete wall

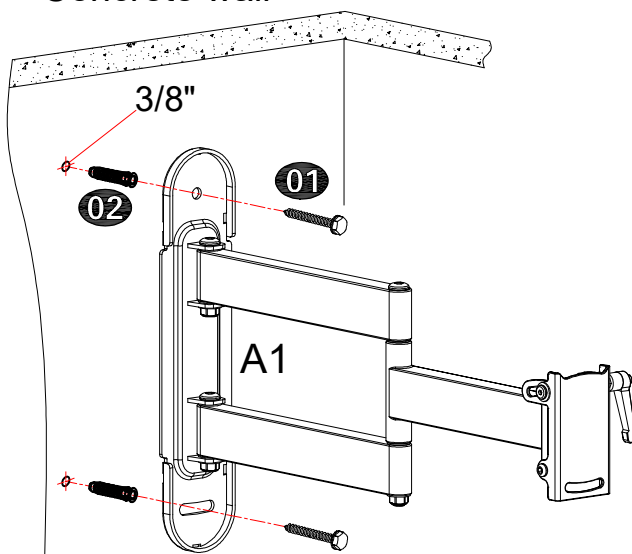
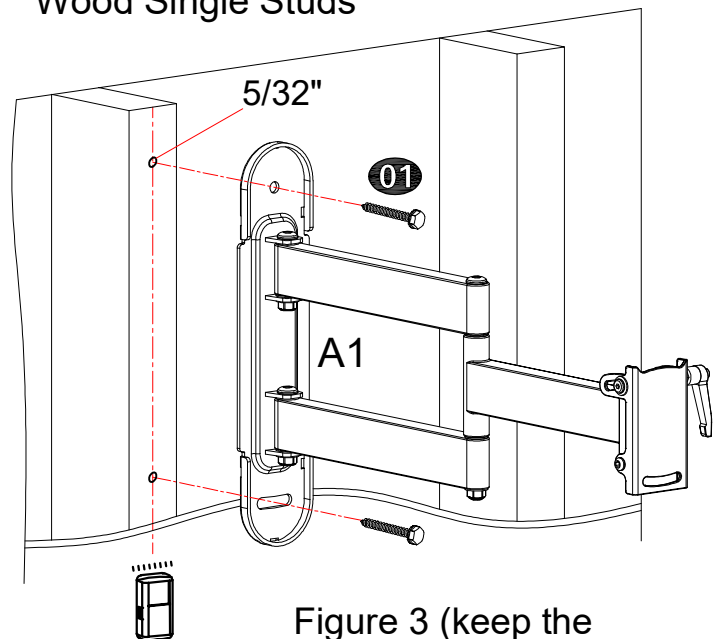


Figure 2 (keep the wall plate level)

Wood Single Studs



Stud finder

Figure 3 (keep the wall plate level)

Step 3: Plastic Cover (D) inserts into wall plate (A1). (Figure 4)

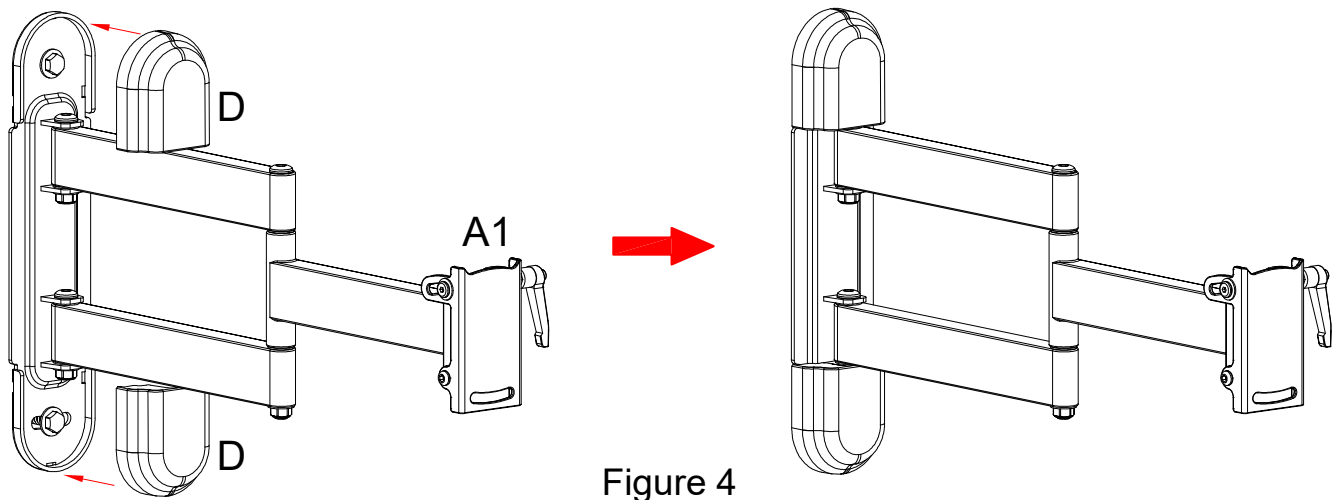


Figure 4

Step 4: Per the hole pattern on the back panel of TV, Choose the suitable unit.

1. VESA within 200x200 connect TV plate(A2) to the TV directly.
2. VESA dimension is 400x400, attach the extended arms (B, C) to the TV plate by screwing in bolts 03 with Allen key 04. Do not tighten the bolts at this step!

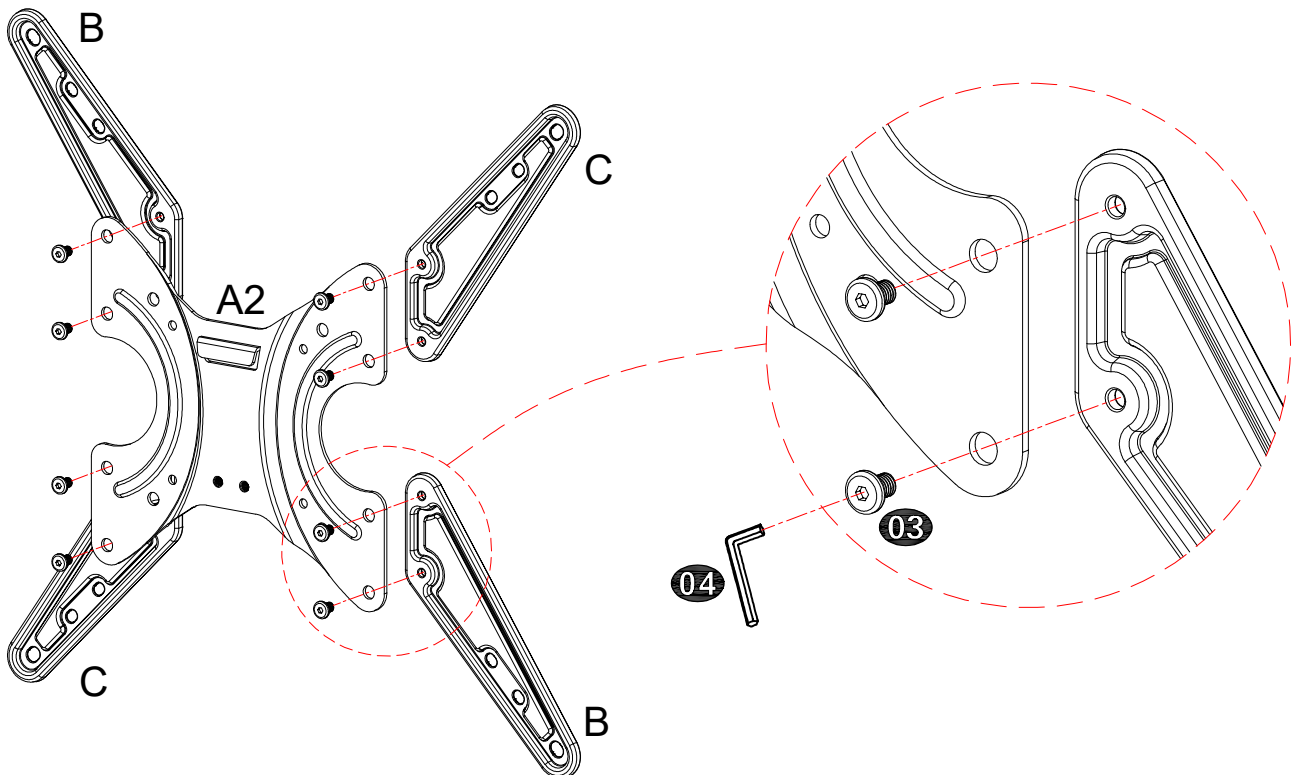


Figure 5

Step 5: Attach TV plate (A2) to the back of TV, choose corresponding bolt, washer and spacer to fix the holes of TV rear.

If the back of TV is not flat, or the bolts used to assemble TV are too long, or there is interfere between TV bracket and cable inlets, we highly recommend you to use spacers.

▲ CAUTION: Using incorrect bolts may damage your TV.

1. VESA: within 100 x 100 / 200 x 200.

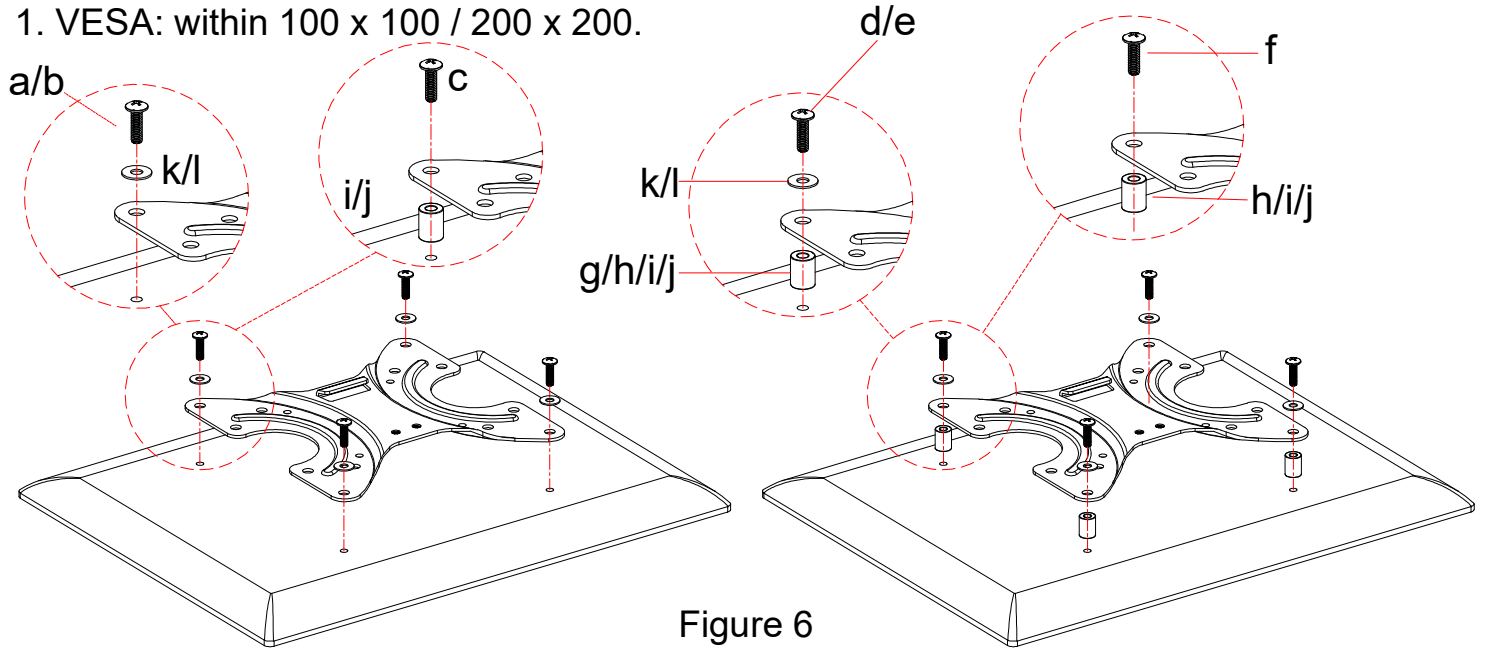


Figure 6

2. VESA: within 400 x 400.

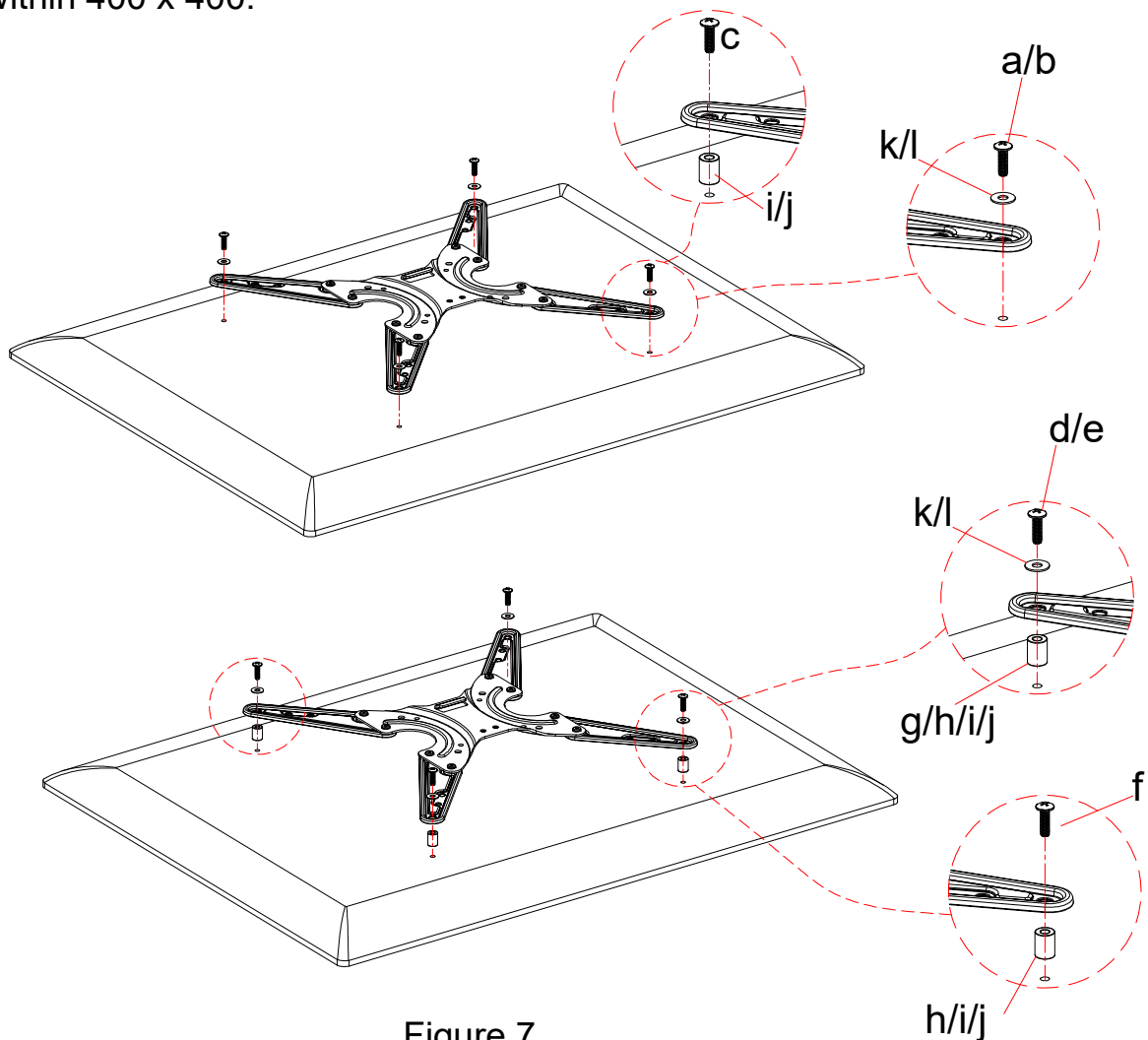


Figure 7

Step 6: Hang pre-assembled TV unit on the wall plate and fix them by bolts ①. (Figure 8)

⚠ CAUTION: This step must require 2 or more professional to finish.

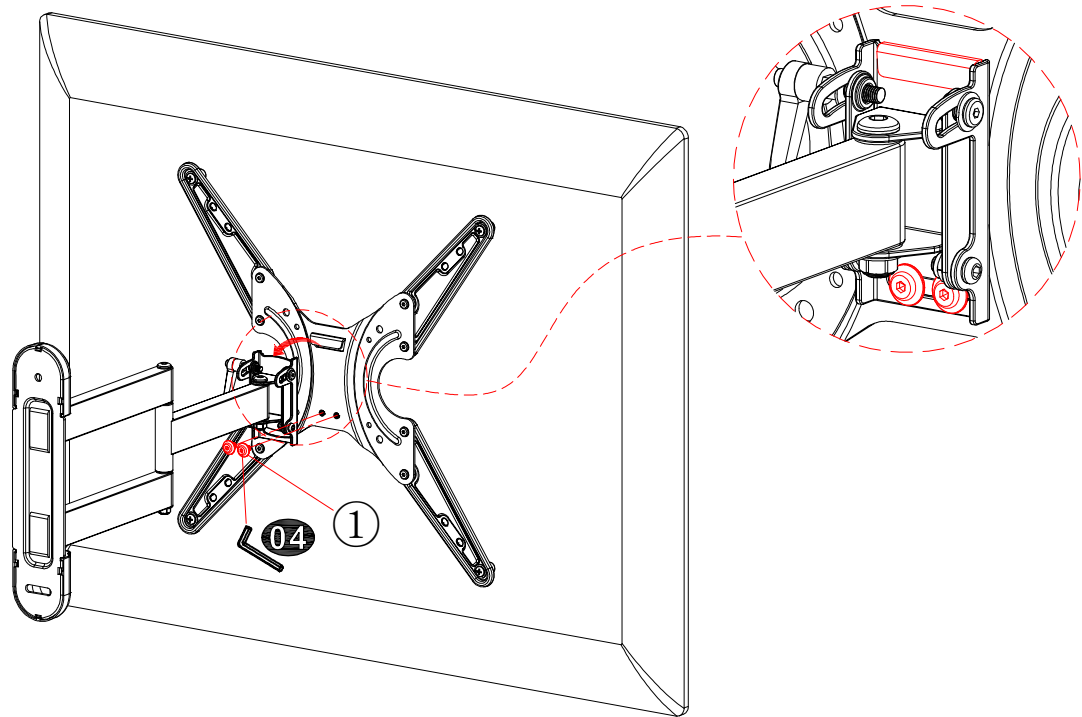


Figure 8

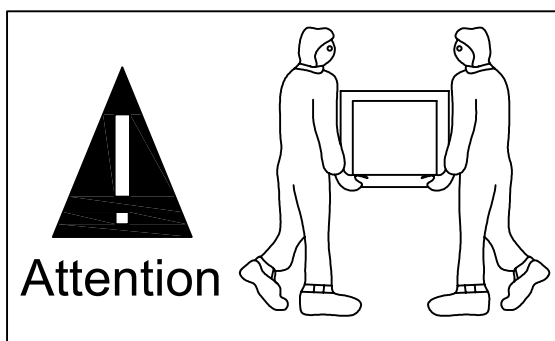


Figure 9



Figure 10

Step 7: Adjust the tilting angle with spring loaded handle:

Hold the TV and adjust it to your desired position, and fasten the handle and the bolt opposite to the handle.

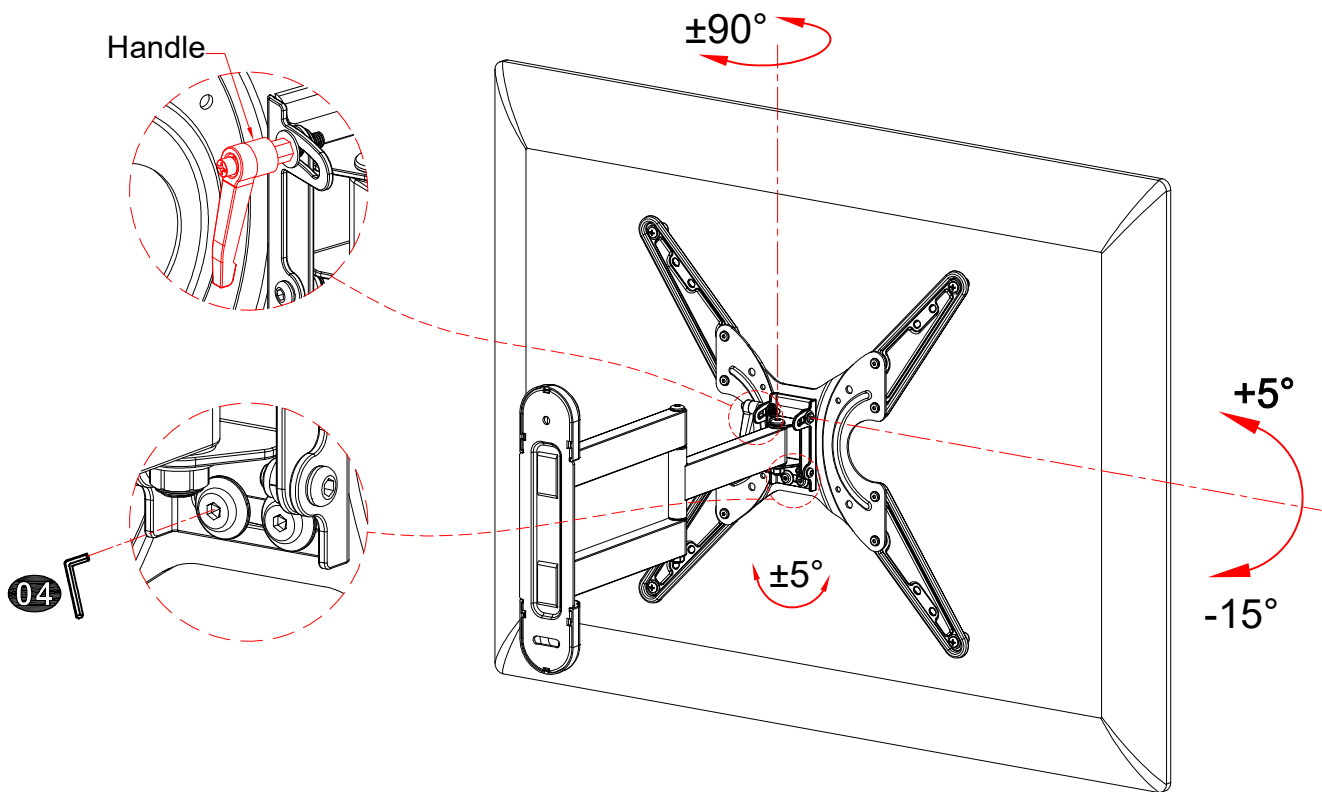


Figure 11

PAY EXTRA CARE AND ATTENTION WHEN YOU FASTEN TWO TV MOUNTS TO THE BACK PANEL OF TV IN STEP 5. MAKE SURE THE APPROPRIATE MOUNT HARDWARE IS BEING USED PROPERLY.

1. Select correct Mounting Hardware according to the screw hole size of your TV, discard any remaining screws or spacers.
2. Carefully lay your TV on its face on a non-abrasive surface, making sure to lay padding underneath it so as not to damage the screen.
3. Place left TV mount and right mount in the appropriate position, making sure **CENTERED** on the back of the TV and **LEVEL** with on another.
4. This product only install on the perpendicular wall, not install on the ceiling.

 **ether eal**

© 2023 Ethereal

460 Walker Street, Holly Hill, FL 32117-2653

Specifications are subject to change without notice.

All trademarks are the property of their respective owners.

386-255-0234 . www.EtherealPro.com

MADE IN CHINA