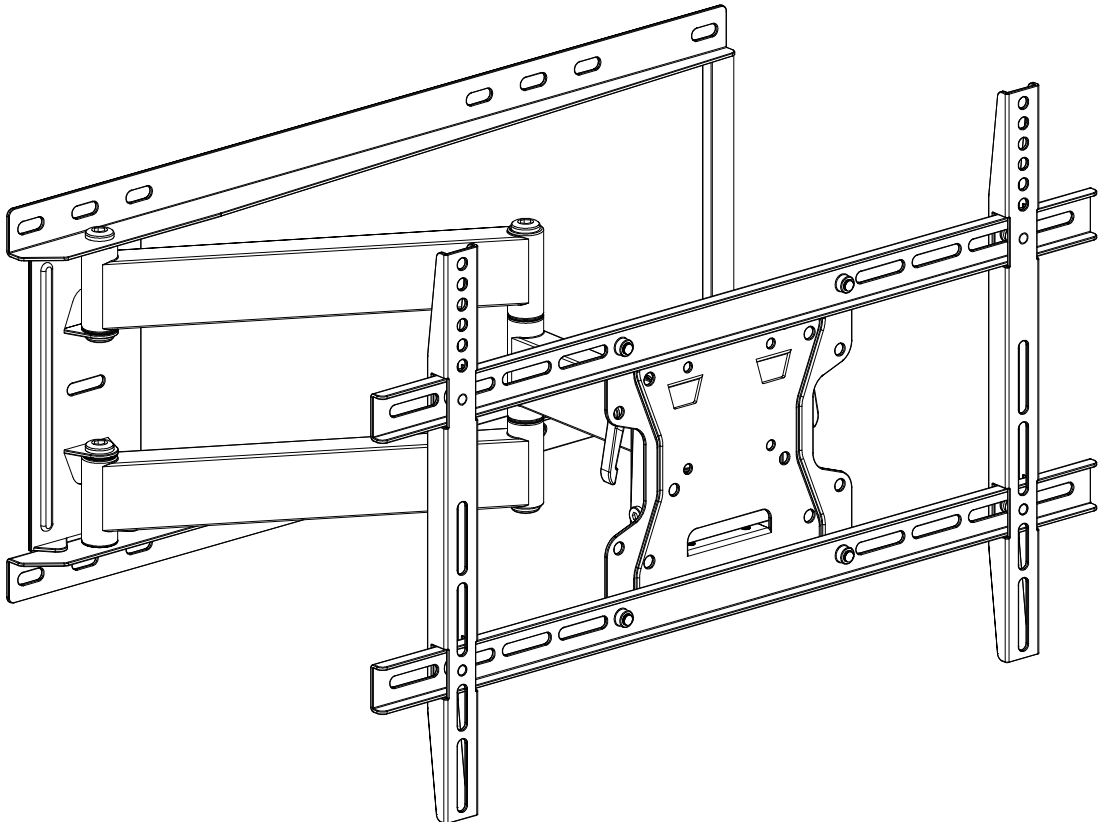


# HELIOS<sup>®</sup>

## ASSEMBLY INSTRUCTION

---



FULL-MOTION TV WALL MOUNT

MODEL:FML64S

---

**▲ CAUTION :**

- Please read this instruction carefully before assembly.
- Fits for 42-84in plasma and LCD TV.
- Weight Capacity : 60KG (132 LBS).

**⚠ CAUTION :**  
**SAFETY WARNING:**

Never let children climb on product or play with product.

Do not sit or stand on product.

Do not fasten a TV that is heavier than the recommended load rating to the mount.

Using suitable wood stud wall.

Improper installation may cause property damage and/or personal injury, so the installation must be done by two qualified contractors. The manufacture is not liable for damage or injury caused by incorrect mounting, assembly or use.

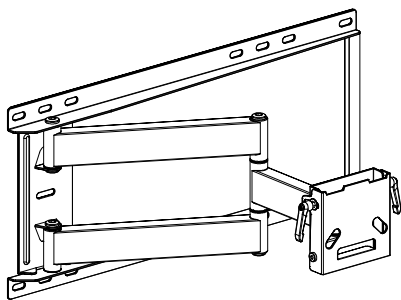
Improper handling can result in cuts and lacerations.

Pictures for reference only, subject to our available products.

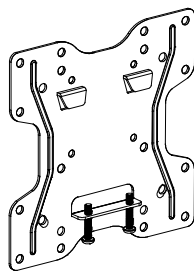
Keep this instruction for future reference.

**⚠ CAUTION :** This mount is intended for use with weights not exceeding "maximum weight capacity 132lbs." The wall itself has to be capable of supporting 4X standard weight. Pls don't over tighten screws in order to avoid any injury. Use with products heavier than the maximum weights indicated may result in collapse of the mount and its accessories causing possible injury.

● **Part list:**



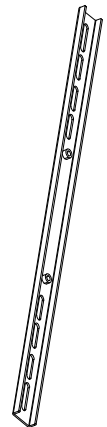
A-wall plate  
1pc



B-TV plate  
1pc

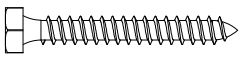
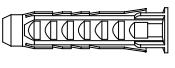
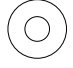




C-TV bracket  
2pcs


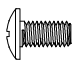
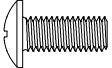


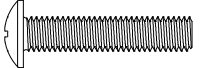
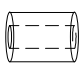
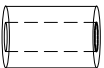






D-Fixed arm  
2pcs

● **Hardware list:**

				
<b>01</b> --Lag bolt 4pcs	<b>02</b> --Anchor 4pcs	<b>03</b> --M8 washer 4pcs	<b>04</b> --Allen key 1pc	<b>05</b> --M8X14 bolt 8pcs

● **TV mounting hardware**

					
a--M4x12 bolt 4pcs	b--M6x12 bolt 4pcs	c--M8x25 bolt 4pcs	d--M4x30 bolt 4pcs	e--M6x35 bolt 4pcs	f--M8x50 bolt 4pcs
					
g--M6x17 spacer 4pcs	h--M8x22 spacer 4pcs	i--M8x10 spacer 4pcs	j--M6/M8x2.5 spacer 8pcs	k--M4 washer 4pcs	l--M6 washer 4pcs

## Safety directions:

**Step 1:** Please remove the plaster board on the surface of concrete wall when assembling mount on the concrete wall. Hold wall plate (A) against wall at desired position on concrete wall, then using a pencil mark 4 hole locations. Then drill holes according pencil marks using 3/8" size drill bit to a depth of 2.5". Then you will need to use wall anchors (02). Insert wall anchors (02) into holes, you may need to use hammer to lightly tap wall anchors into wall. Then fix wall plate (A) to the wall with screws (01) and washers (03). (Figure 1)

Pre-drill the mark 4 holes using 7/32" drill bit to a depth of 2.5"mm, fix wall plate (A) to the wall with screws (01) and washers (03). (Figure 2)

**CAUTION:** The concrete wall minimum thickness no less than 5.5 inches, and surface covering can't more than 3/8 inches.

If you mount TV mount into wood studs, pre-drill the mark 4 holes using 7/32" drill bit to a depth of 2.5", fix wall plate unit (A) to the wall with screws (01) and washers (03). (Figure 2)

**CAUTION:** The wood stud min size is 2x4 inches, and surface covering can't more than 5/8 inches. Drill hole on the wooden pillar's middle line.

**CAUTION:** Don't use it on the concrete block.

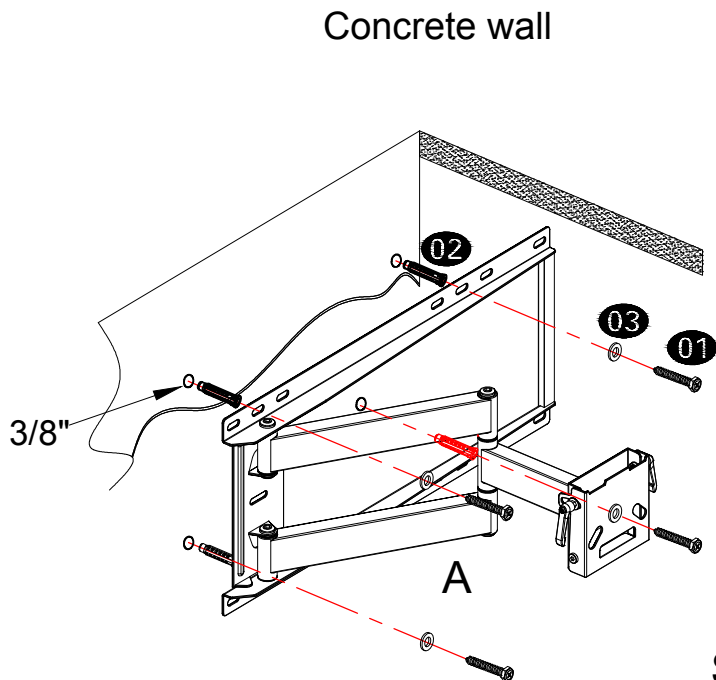


Figure 1 (keep the wall plate level)

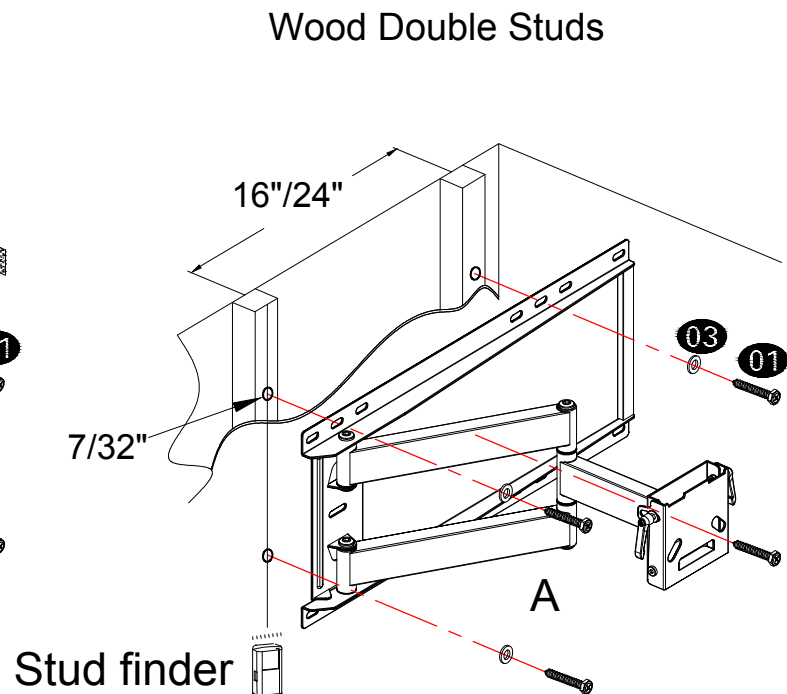


Figure 2 (keep the wall plate level)

- Step 2:** Per the hole pattern on the back panel of TV , Choose the suitable unit .
- 1 . VESA within 75x75/100x100/200x200 Choose TV plate (B) to connect TV directly.
  - 2 . VESA within (200-600)x400 Connect plate (B) to fixed arm (D) using 05 , slide TV bracket (C) onto (D).

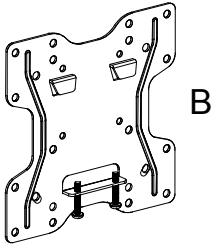


Figure 3

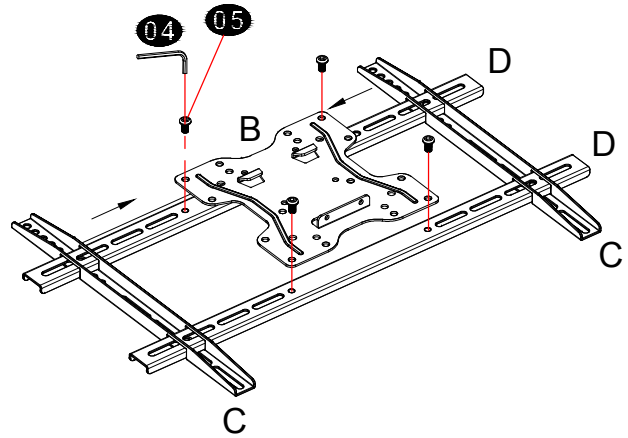


Figure 4

**Step 3:** Attach TV plate (B) to the back of TV, choose corresponding bolt, washer and spacer to fix the holes of TV rear.

If the back of TV is not flat, or the bolts used to assemble TV are too long, or there is interfere between TV bracket and cable inlets, we highly recommend you to use spacers .

**⚠ CAUTION:** Using incorrect bolts may damage your TV.

1. VESA : within 75x75 / 100 x 100 / 200x200.

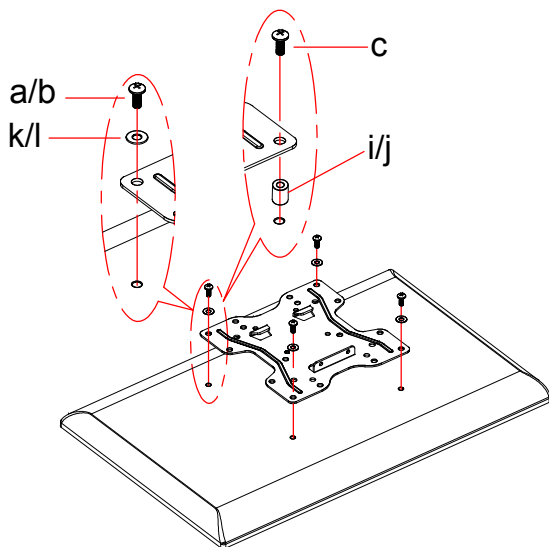


Figure 5

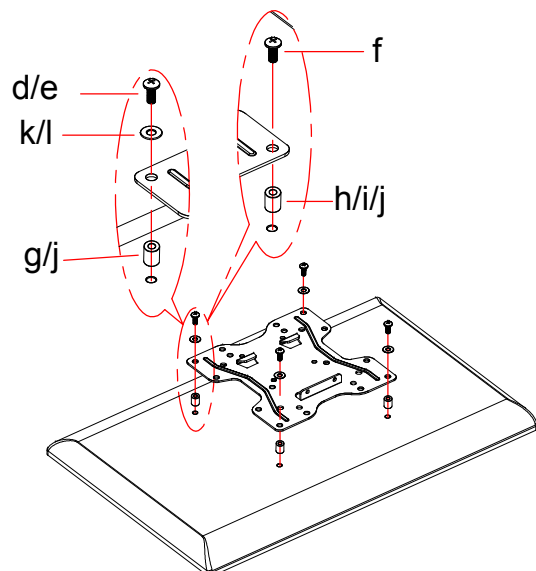


Figure 6

2. VESA : within (200-600)x400.

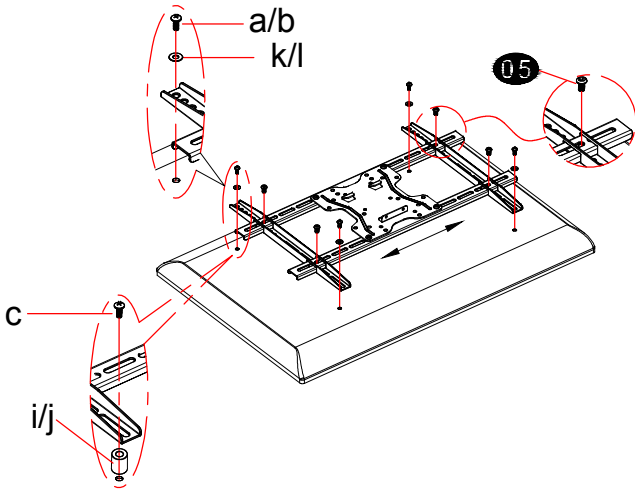


Figure 7

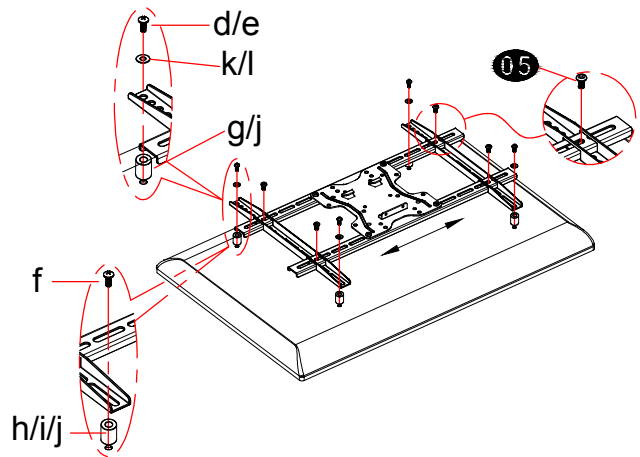


Figure 8

- ▲ CAUTION:** 1. Please use the correct screw & washer & spacer combination to fasten TV brackets to the back of TV. First screw in screws by hand, then use screwdriver to finish tightening.  
2. It is recommended to have two people to finish this step.

**Step 4:** Hang pre-assembled TV unit on the wall plate and use screws ① to fix them together.

- ▲ CAUTION:** This step must require 2 or more professional to finish.

1. VESA : within 75x75 / 100 x 100 / 200x200.

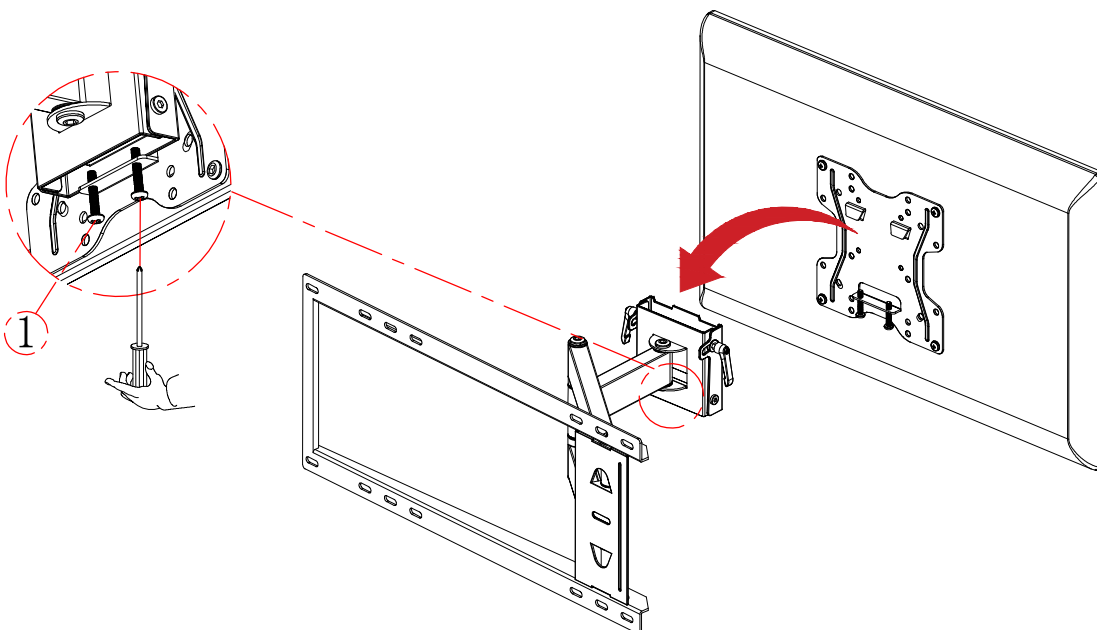


Figure 9

2. VESA : within (200-600)x400.

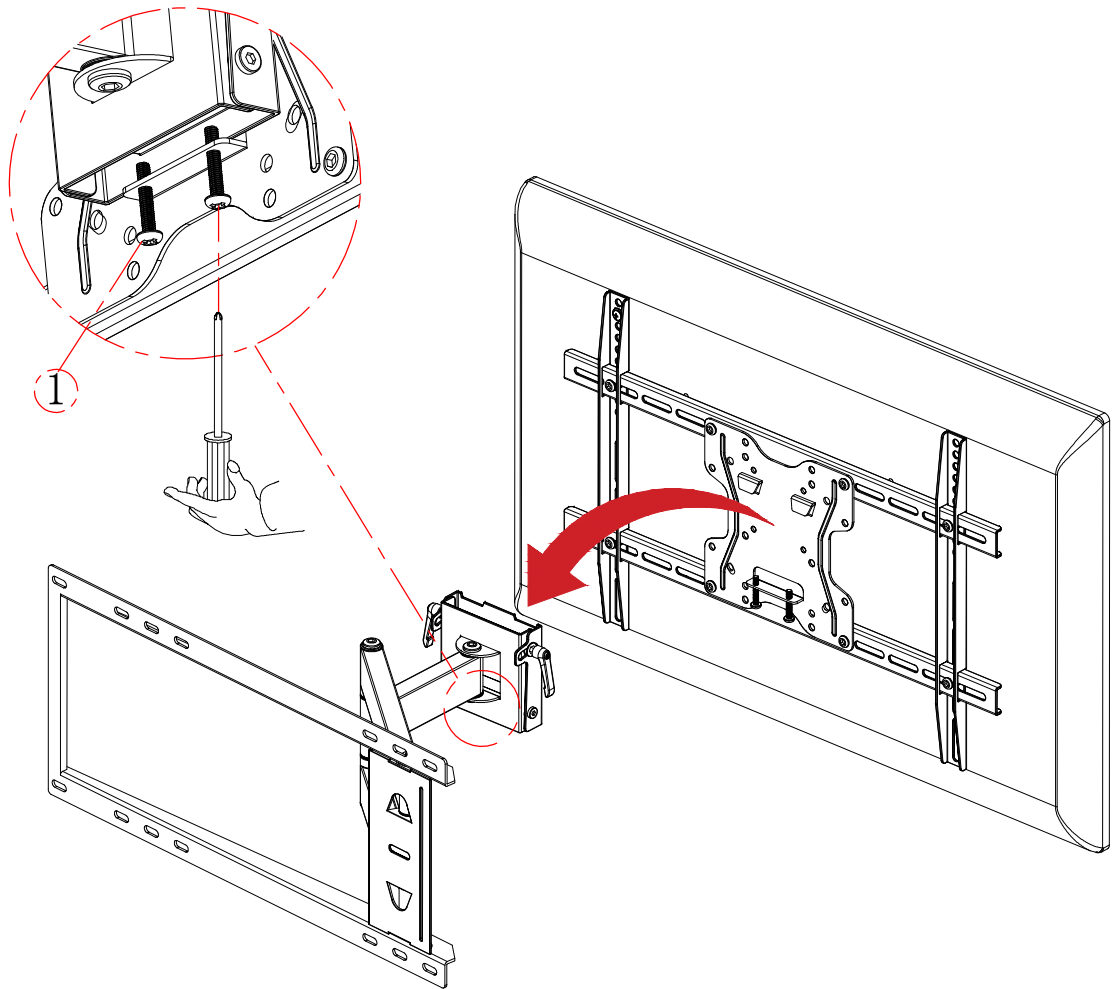


Figure 10

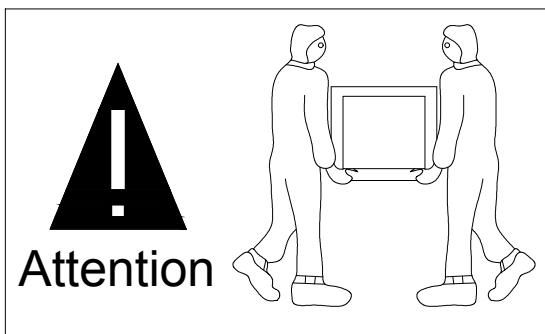


Figure 11



Figure 12

**Step 5:** You may need rotate the handle to adjust TV to your desired angle, and then don't forget to fasten the handle.

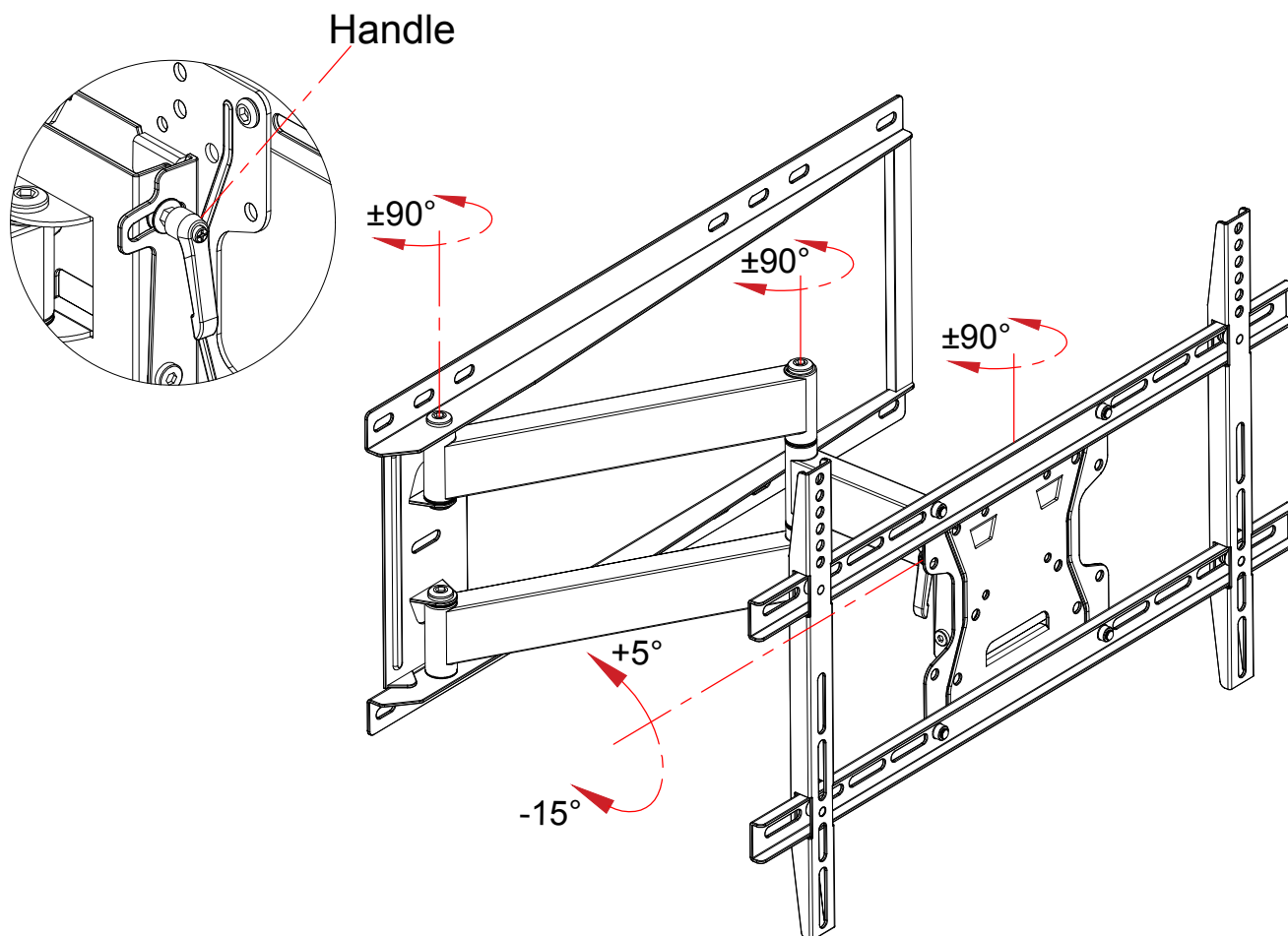


Figure 13

**PAY EXTRA CARE AND ATTENTION WHEN YOU FASTEN TWO TV MOUNTS TO THE BACK PANEL OF TV IN STEP4 . MAKE SURE THE APPROPRIATE MOUNT HARDWARE IS BEING USED PROPERLY .**

1. Select correct Mounting Hardware according to the screw hole size of your TV, discard any remaining screws or spacers.
2. Carefully lay your TV on its face on a non-abrasivesurface, making sure to lay padding underneath it so as not to damage the screen .
3. Place left TV mount and right mount in the appropriate position, making sure **CENTERED** on the back of the TV and **LEVEL** with on another .
- 4.This product only install on the perpendicular wall,not install on the ceiling.

 ethereal

EtherealPro.com • 386•255•0234