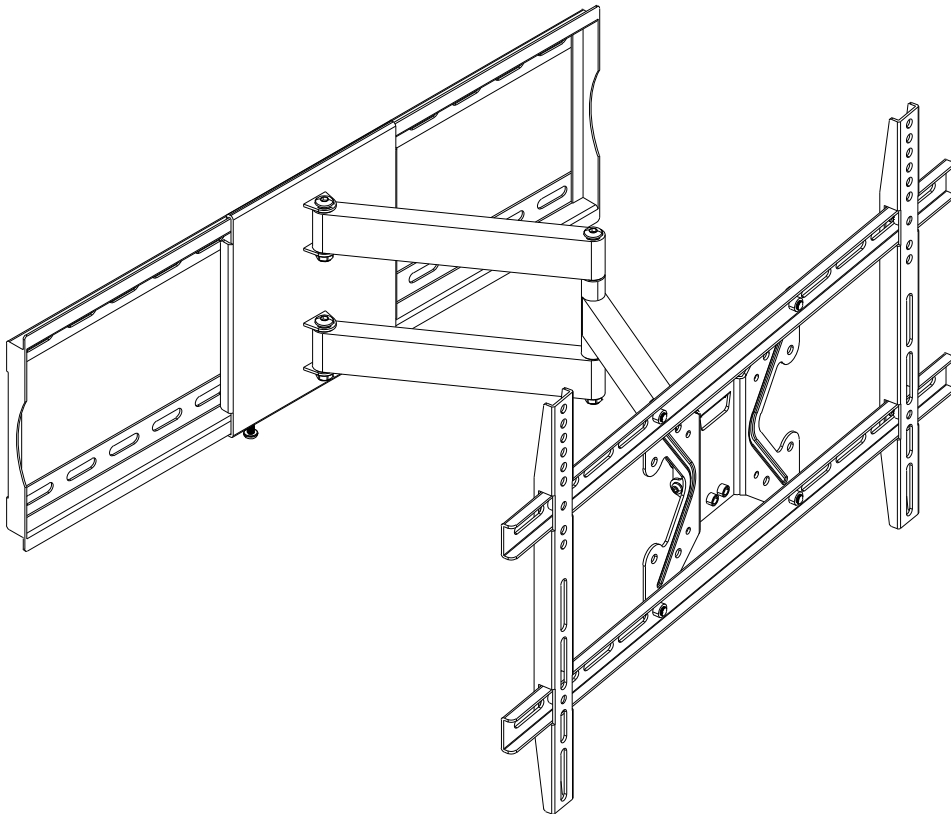


# HELIOS®

## Assembly Instructions

---



**MODEL:FML64PL**

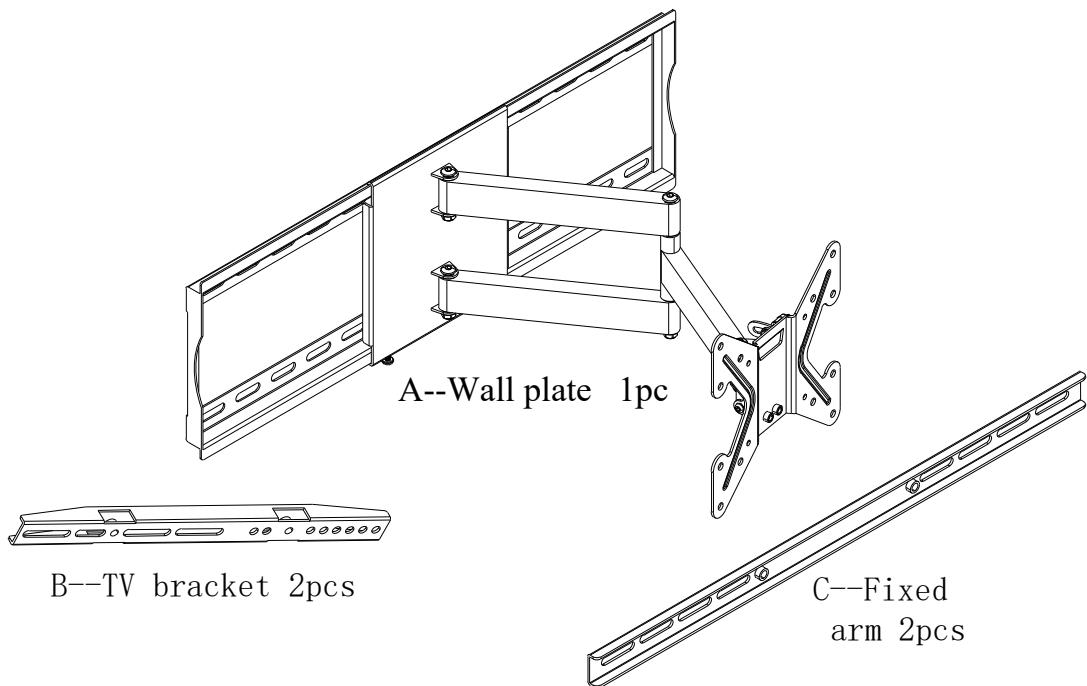
---

- Please read the instructions carefully before using.
- This model will hold 32-65 inch Plasma and LCD TVs.
- Load capacity:34kg(75LBS).

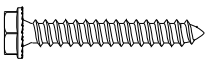
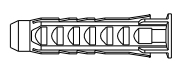
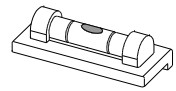


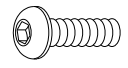
# Assembly Instructions for model:FML64PL

**Safety Warning:** Thanks for choosing Helios wall mount and please read this instruction carefully before using the model FML64PL to avoid any injury of anybody and (or) any property loss. If you do not understand these directions, or have any doubts about the safety of the installation, please call a qualified contractor or contact mounting dream customer service department. Please check carefully to make sure that there are no missing or defective parts. Never use defective parts, Improper installation may cause damage or serious injury. Do not use this product for any purpose that is not explicitly specified by Helios. Helios can not liable for damage or injury caused by incorrect mounting, incorrect assembly, or incorrect use.

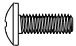
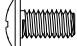
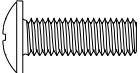


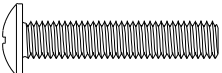

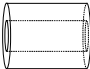




- Supplied Parts and Hardware: Some parts not shown at same scale



## ● Wall mounting hardware:

			
01--Lag bolt 4pcs	02--Anchor 4pcs	03--Bubble level 1pc	04--4mm Allen Key 1pc
			
05--5mm Allen Key 1pc	06--M8x14 Bolt 8pcs		

## ● TV mounting hardware

				
a--M4x12 bolt 4pcs	b--M6x12 bolt 4pcs	c--M8x25 bolt 4pcs	d--M4x30 bolt 4pcs	e--M6x35 bolt 4pcs
				
f--M8x45 bolt 4pcs	g--M6x17mm spacer 4pcs	h--M8x22mm spacer 4pcs	i--M8x10mm spacer 4pcs	
				
j--2.5mm spacer 8pcs	k--M4 washer 4pcs	l--M6 washer 4pcs		

### Safety Directions:

**Step 1: Read and understand all the directions, handle and use according to the directions strictly.**

**Step 2: Remove the screws ⑧ to separate it into two parts.**

**Step 3: As per different VESA size to choose the suitable unit to assemble them.**

option 1 VESA size:75\*75mm,100\*100mm.

option 2 VESA size:(200-400)\*600mm.

Instruction:Attach connecting plate (D) to fixed arm (C) using ①⑥,slide TV bracket (B) onto (C).(figure 2).

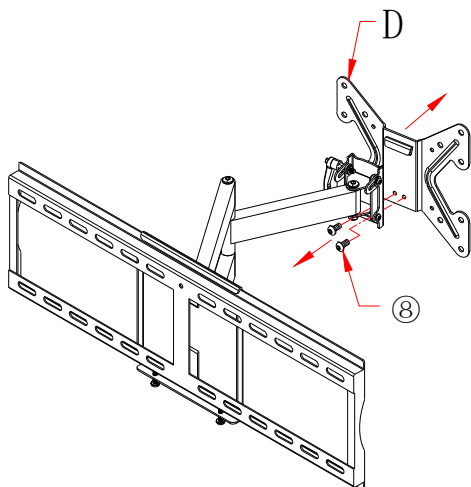


figure 1

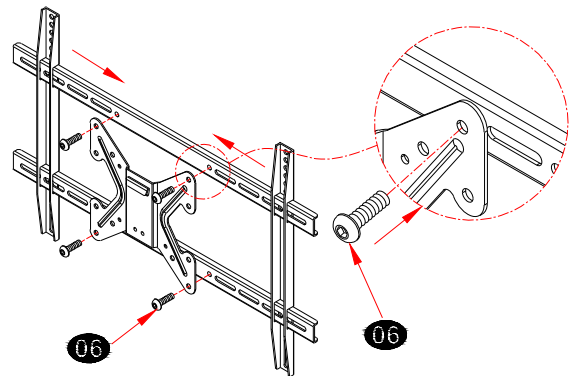


figure 2

### Step 3: Attach the wall plate

**Wood Stud Mounting:** The Wall Plate must be mounted to the wood stud which the width should be at least 50CM more than the widest point of the Wall Plate to ensure the wood stud is strong enough to hold the weight of the TV and wall mount itself. Suggest to ensure the holes location for the Wall Plate with pencil. Pre-drill a 6.4MM deep hole in each marked location . Finally, Attach the Wall Plate to the wall using wood screws and washers. Make sure the Wall Plate is oriented and against the wall

**Concrete Wall Mounting:** Choose a solid wall area ( avoid the hollow wall or the screws in the joint of the bricks) then insert the plastic screw covers . Attach the Wall Plate to the wall as the same instructions as it for wood stud mounting above.

⚠ Note: Be sure to choose a high quality wall area and enough strong to hole the weight of the TV and wall mount itself perennially when assembling. The assembly place should be far away from water.

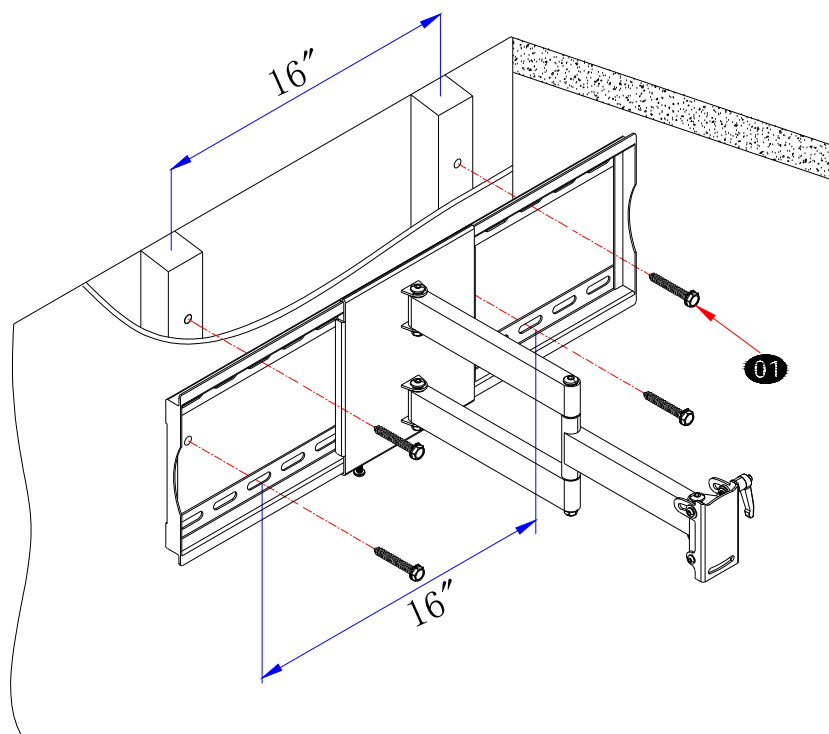


Figure 3(keep the wall plate level)

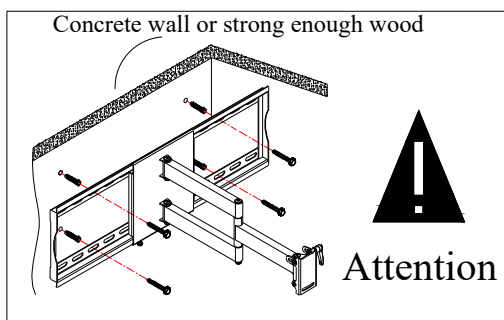


Figure 4

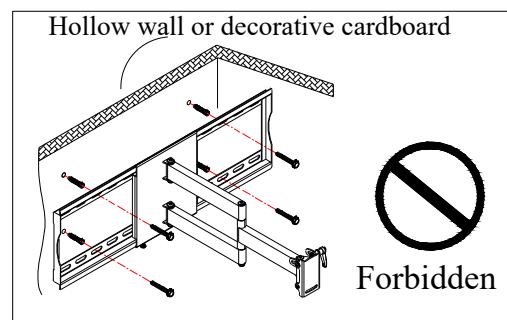


Figure 5

### Step 5: Attach TV connecting unit to TV.

Option 1 VESA:75\*75mm,100\*100mm.

Unit 1 Lay TV face down,choose the suitable hware and fix (D) to the back of TV .Please keep the TV level(figure 6).

Option 2 VESA:200\*200mm,600\*400mm.

Unit 2 Lay TV face down,fix (D) onto (B),and then slide (C) onto (B),using the correct screws to fix them on the back of TV(figure 7).

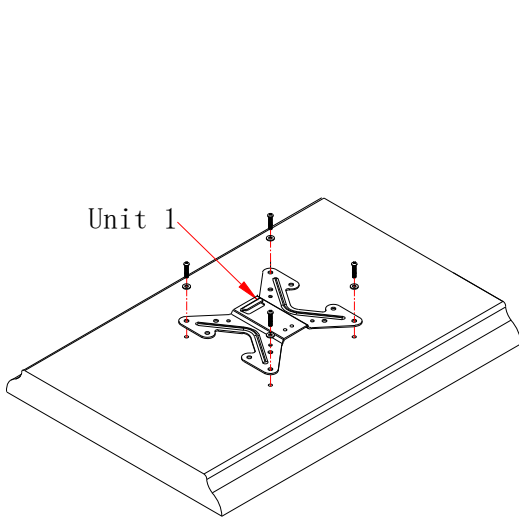


figure 6

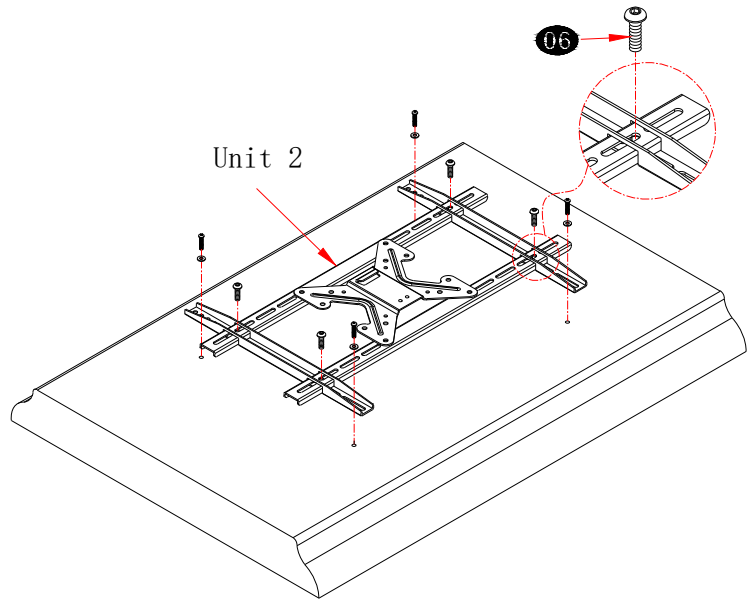


figure 7

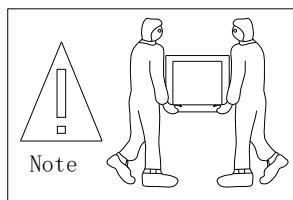


figure 8



figure 9

**⚠ Note:**1.Please use the corresponding screw&washer for the holes of the TV back, Assemble with incorrect screw & washer will damage the holes on the TV back, uneven assembly will cause uneven TV screen.

2.Professional Knowledge required to assemble the flat panel TV and the wall mount and need at least 2 people to finish this mounting procedure.Do not intent to assemble this wall mount independently to avoid incorrect assembly or any possible injury this may caused.

### Step 6:Connecting wall plate unit and TV connecting unit.

Hang preassembled TV unit onto wall plate unit. Tighten the safety screws.

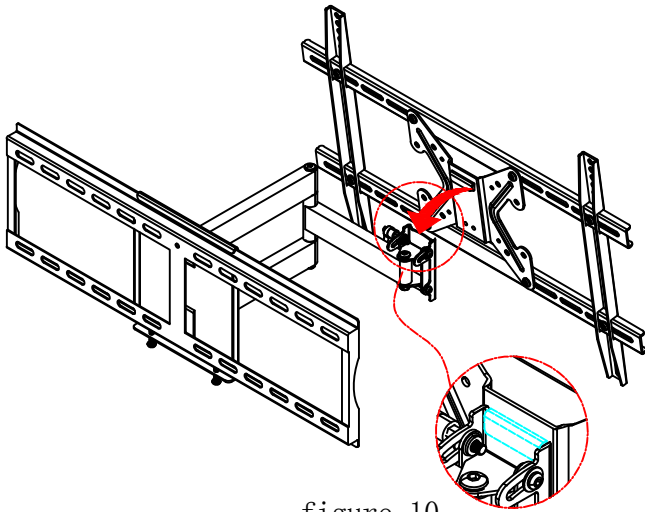


figure 10

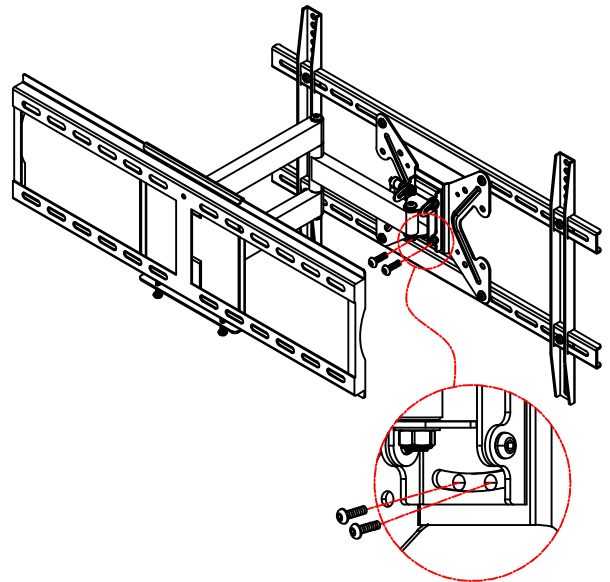


figure 11

⚠ **Note:** This step must require 2 or more professional to finish.

**Step 6: Adjust the TV angle and manage the wire**

Check and tighten all screws you can use handle (2) to adjust tilt angle. Please tighten (2) when the screen is in a desire angle. Please manage the wire to avoid the wire will be damaged by TV when turning and fix the wire clip with the wire tie according to the length of the wire.

⚠ **Note:** Please manage the TV wire and do not twist the wire on the turning area of TV.

When fixing the wire clip, please be sure the TV can extend the far-most distance from the wall.

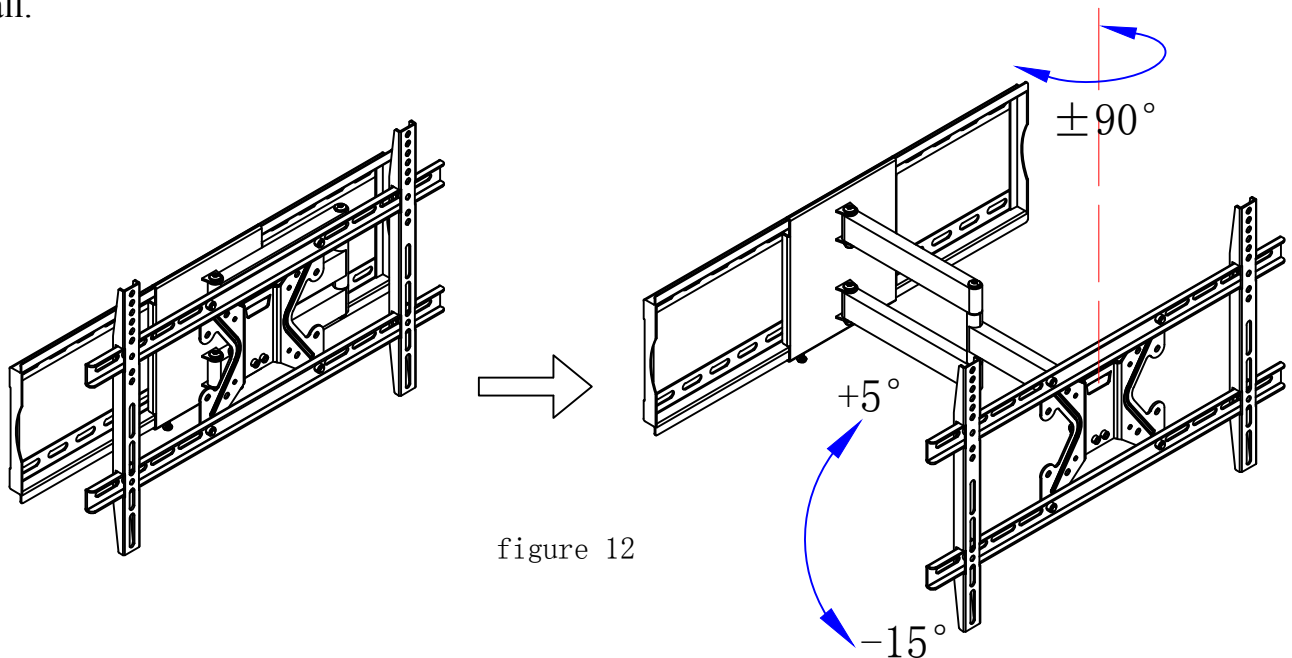


figure 12

**HELIOS<sup>®</sup>**

©2023 Ethereal, 460 Walker Street, Holly Hill, FL 32117-2699  
 Specifications are subject to change without notice.  
 All trademarks are the property of their respective owners.

**Ethereal**

386-255-0234 • www.EtherealPro.com