

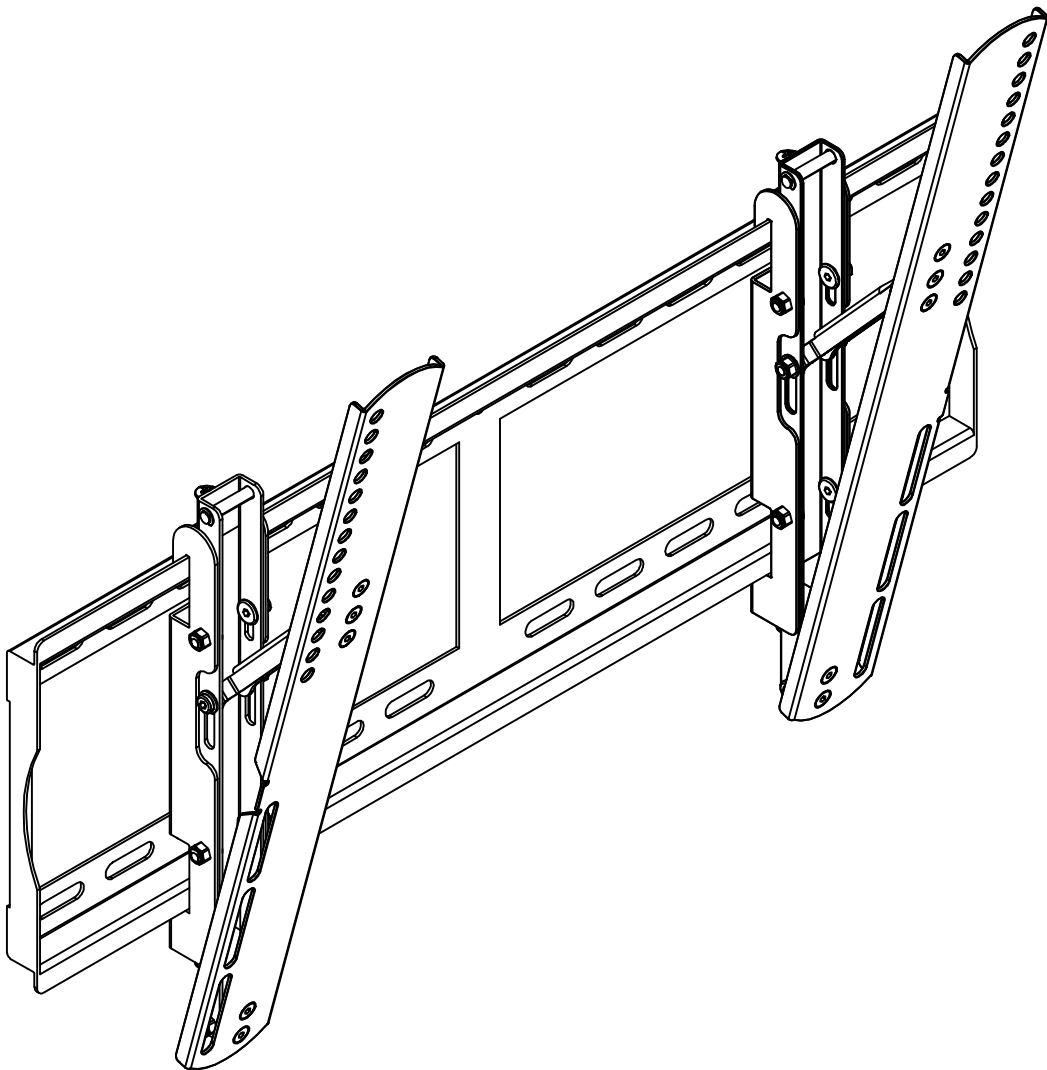
# HELIOS™

BY AUDIO SOLUTIONS

## Assembly Instructions

### TL64PL

---



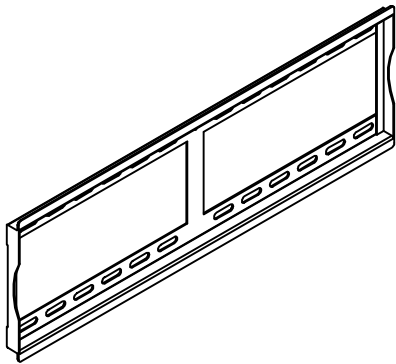
- 
- Please read these instructions carefully before using.
  - This model will hold most 32-65 Flat Panel TVs.
  - Load capacity: 45kg (99Lbs).

# TL64PL Safety

**Safety Warning:** Thanks for choosing this Helios wall mount and please read these instructions carefully before using the model TL64PL to avoid any injury of anybody and(or) any property loss. If you do not understand these directions, or have any doubts about the safety of the installation, please call a qualified contractor or contact Helios customer service department.

Please check carefully to make sure that there are no missing or defective parts. Our customer representatives can quickly assist you with installation questions and missing or defective parts. Replacement parts for products purchased through authorized dealers will be shipped to you directly. Never use defective parts, improper installation may cause damage or serious injury. Do not use this product for any purpose that is not explicitly specified by Helios. Helios is not liable for damage or injury caused by incorrect mounting, incorrect assembly, or incorrect use.

- Supplied Parts and Hardware: Some parts not shown at same scale



A--Wall plate 1pc






B--Left bracket 1pcs



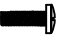





C--Right bracket 1pcs

- Assembly Hardware:

		
① M8 washer 4pcs	② — square head screw 4pcs	③ — concrete bolt 4pcs

- Hardware for TV assembly:

					
a--M8X16 bolt 4pcs	b--M6X12 bolt 4pcs	c--M5X12 bolt 4pcs	d--M8X30 bolt 4pcs	e--M6X25 bolt 4pcs	f--M5X25 bolt 4pcs

					C--Fixed arm 2pcs
g--M6/M5 washer 4pcs	h--M8 washer 4pcs	i--M8 spacer 4pcs	j--M6 wrench 1pcs	k--Ø4 wrench 1pcs	

**Safety Directions:**

**Step 1: Read and understand all the directions, handle and use according to the directions strictly.**

**Step 2: Attach the wall plate (A) on the wall**

**Wood Stud Mounting:** The Wall Plate must be mounted to the wood stud which the width should be at least 50CM more than the widest point of the Wall Plate to ensure the wood stud is strong enough to hold the weight of the TV and wall mount itself. Suggest to ensure the holes location for the Wall Plate with lination. Pre-drill a 6.4MM deep hole in each marked location . Finally, Attach the Wall Plate to the wall using wood screws and washers. Make sure the Wall Plate is oriented and against the wall .

**Concrete Wall Mounting:** Choose a solid wall area ( avoid the hollow wall or the screws in the joint of the bricks) then insert the plastic screw covers . Attach the Wall Plate to the wall as the same instructions as it for wood stud mouning above.

▲ Note: Be sure to choose a high quality wall area and enough strong to hole the weight of the TV and wall mount itself perennially when assembling. The assembly place should be far away from the water and sunshine .

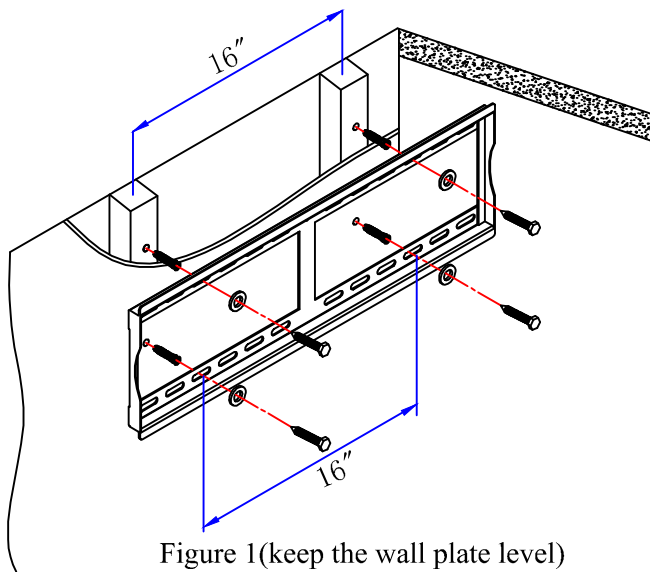


Figure 1(keep the wall plate level)

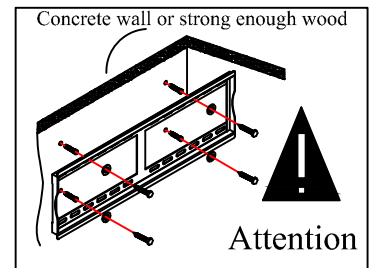


Figure 2

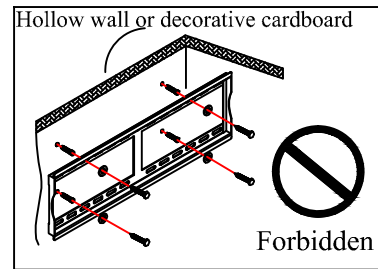


Figure 3

**Step 3: Attach two brackets (B) to TV back.**

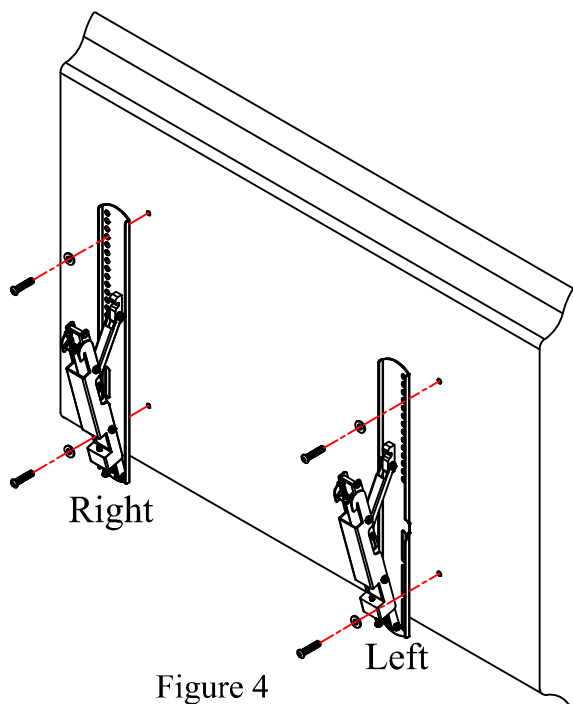


Figure 4

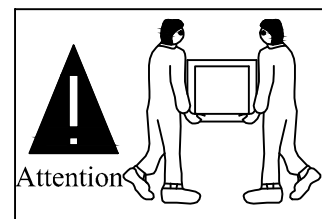


Figure 5



Figure 6

- ▲ Note:** 1. Please use the corresponding screw & washer for the holes of the TV back, assembling with incorrect screw & washer will damage the holes on the TV back, uneven assembly will cause slanted TV screen.
2. Professional knowledge required to assemble the flat panel TV and the wall mount and need at least 2 people to finish this mounting procedure. Do not attempt to assemble this wall mount independently to avoid incorrect assembly or any possible injury this may cause.

**Step 4:** Hang pre-assembled TV unit on the wall plate and tighten the safety screws.

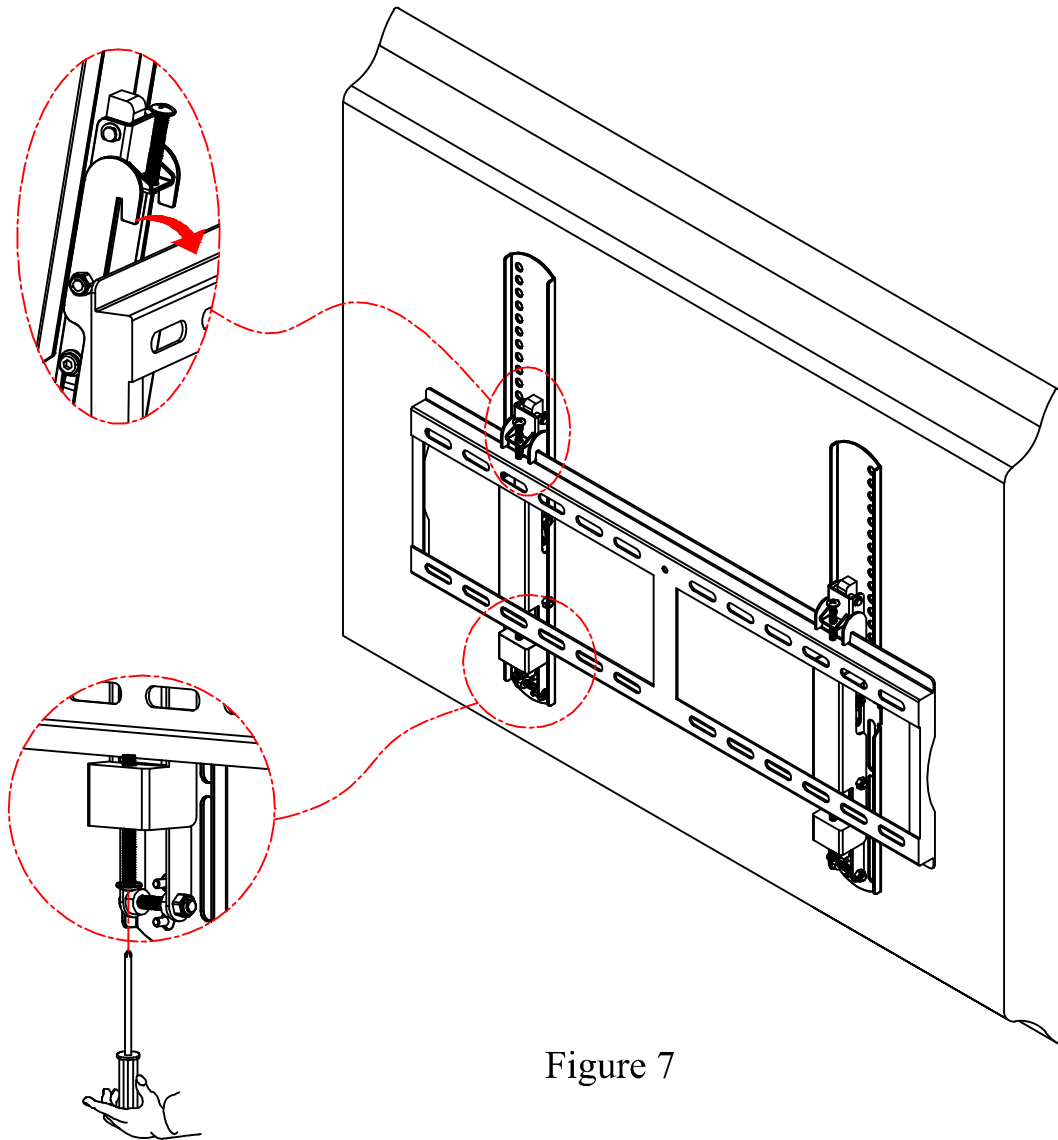


Figure 7

**▲ Note:** This step must require 2 or more professional to finish.

**Step 5:** Turn the screws at the top of brackets to make slight level adjustment.

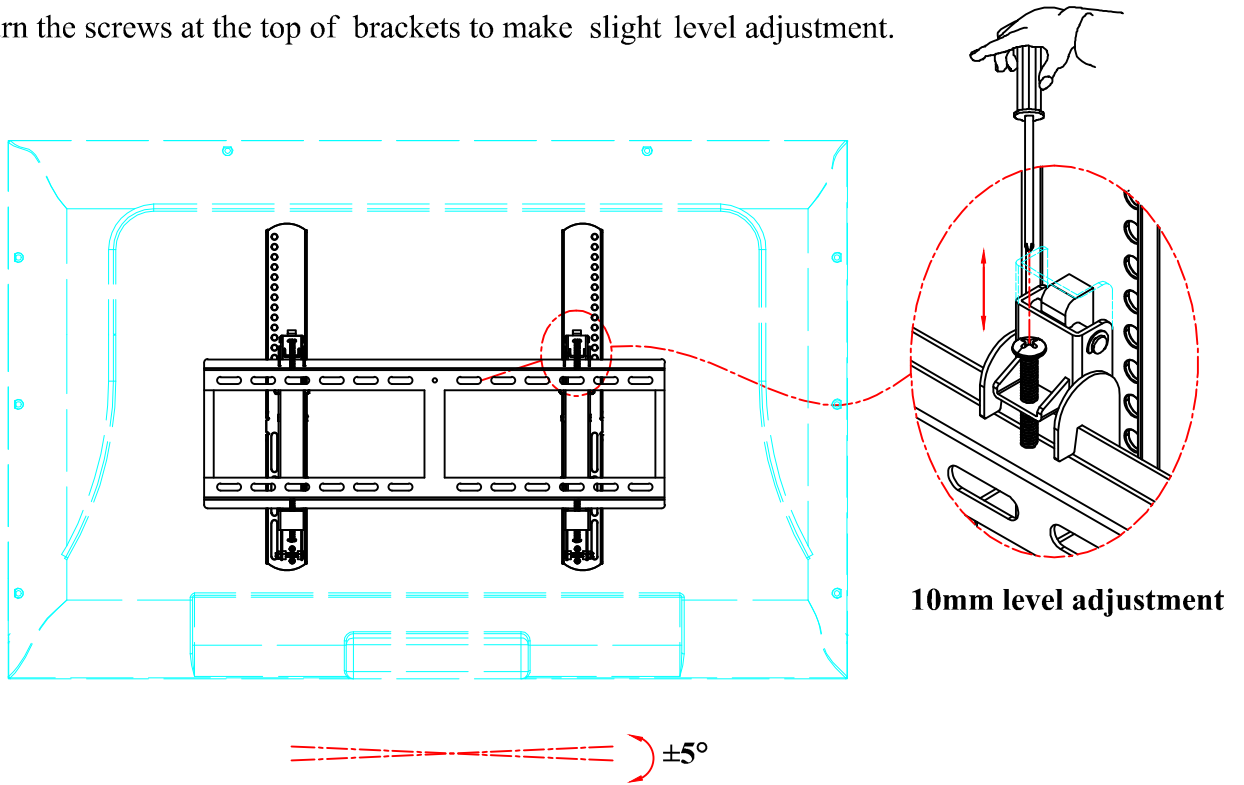


Figure 8

**Step 6:** Loosen the screws on two sides to tilt up or down.

▲ Note: If you would like to adjust its angle, pls remove the side screws as the below drawing shown.

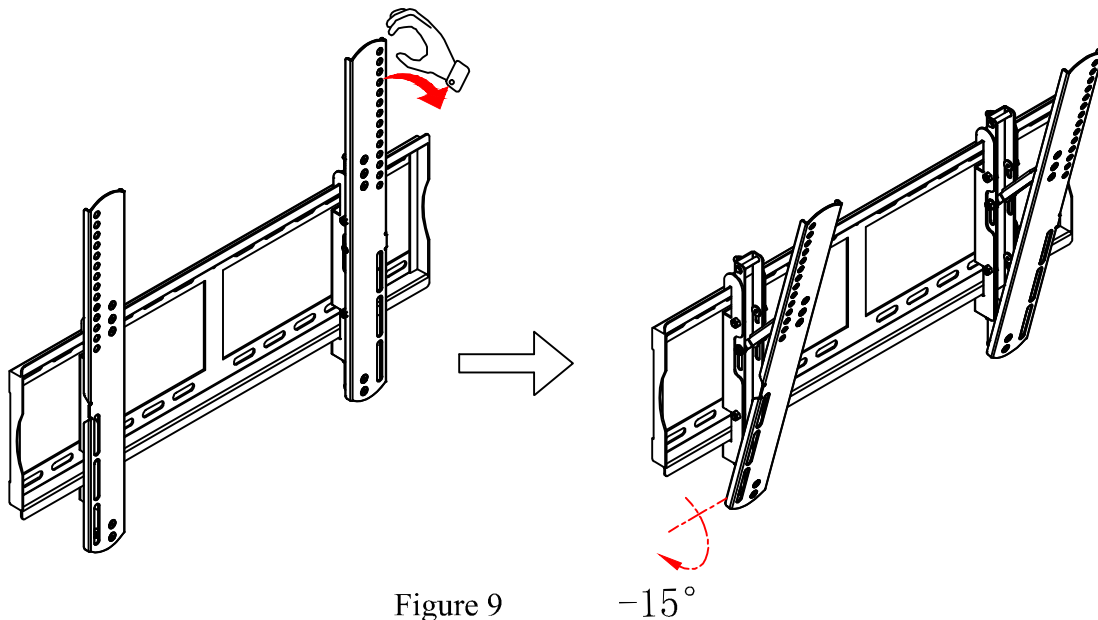


Figure 9

**HELIOS™**  
BY AUDIO SOLUTIONS

©2014 Metra Electronics Corporation, 460 Walker Street, Holly Hill, FL 32117-2699  
Specifications are subject to change without notice.  
All trademarks are the property of their respective owners.