

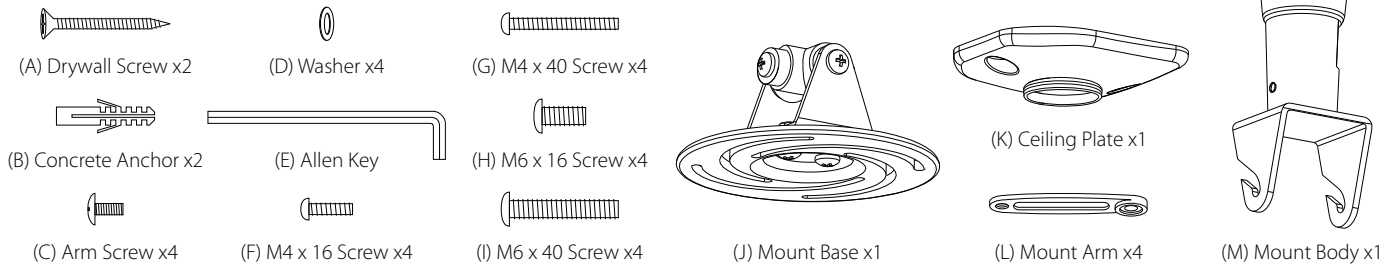
# Universal Projector Mount Instructions

**HELIOS**<sup>TM</sup>  
BY AUDIO SOLUTIONS

866.839.9187 • audiosolutions.com

## Backage Contents

Before beginning installation, make sure all parts have been included in your package. You should find the following:

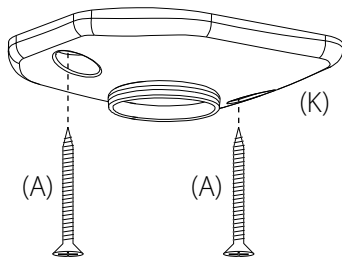


## Installation

### Step 1

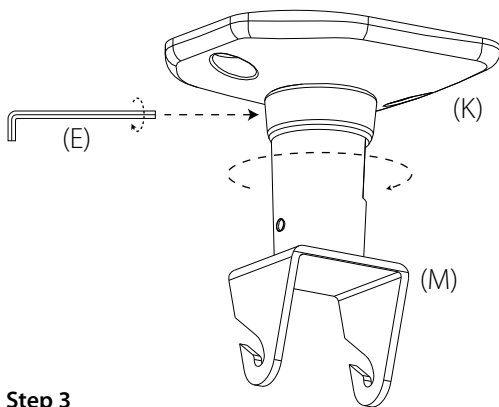
Attach the Ceiling Plate (K) to the ceiling using the Drywall Screws (A). If you are installing into a concrete ceiling, also use the Concrete Anchors (B).

**IMPORTANT:** If you are not installing into a concrete ceiling, make sure that you screw directly into a wooden joist or other adequate support.



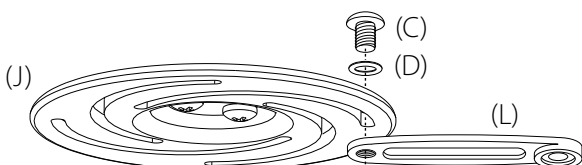
### Step 2

Screw the Mount Body (M) onto the Ceiling Plate (K) by turning it clockwise. Tighten the safety screw(s) using the Allen Key (E).



### Step 3

Secure the Mount Arms (L) to the Mount Base (J) using the Arm Screws (C) and Washers (D). Leave the Arm Screws (C) loose so that you can adjust them when attaching the projector.

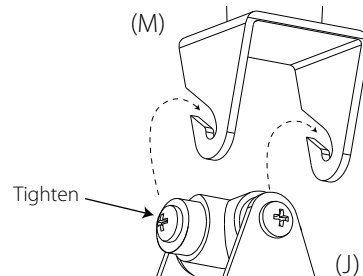


### Step 4

Attach your projector to the Mount Arms (L) using the correct bolt from the hardware kit (F, G, H, or I). If none of these bolts fit, check with the manufacturer of your projector for the proper size. Once attached, make sure all screws and bolts are snug.

### Step 5

Carefully hook the Mount Base (J) with your projector attached to the Mount Body (M). Tighten the screws on both sides of the Mount Base (J) to prevent the projector from being knocked off the Mount Body (M). Installation is now complete.



### Adjustment

To change the tilt of your projector, first loosen the screws located on both sides of the Mount Base (see below). Move the projector into the desired position and re-tighten the screws.

To change the direction your projector faces, first loosen the swivel screws (see below) using the Allen Key (E). Turn the projector to the desired direction and retighten the screws.

**WARNING:** When adjusting the direction, only turn the mount enough to reach the desired direction. DO NOT CONTINUALLY TURN THE PROJECTOR IN A COUNTER-CLOCKWISE DIRECTION! This can cause the mount to come apart and may cause injury or damage.

