

HELIOS™

FMXL75

ASSEMBLY INSTRUCTION



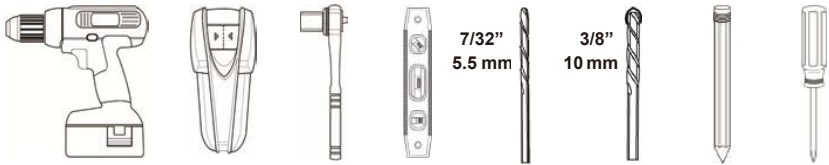
- Please read these instructions carefully before using.
- This model will hold 42"-90" Flat Panel TVs.
- Load capacity: 68kg (150Lbs).

FMXL75 Information

- Please read these instructions carefully before starting.
- This product will hold 42" to 90" Flat Panel TVs.
- Load capacity: 68kg (150Lbs).

TOOLS NEEDED

Herramientas Necesarias
Outils Requis



SYMBOLS



Drill
Agujerear
Perçer



Level
Nivel
Niveau



Socket Wrench
Llave española
Clé ouverte



Caution
Precaución
Attention



Tighten
Ajustar
Serrer



Pencil Mark
Marque con lápiz
Marque de crayon

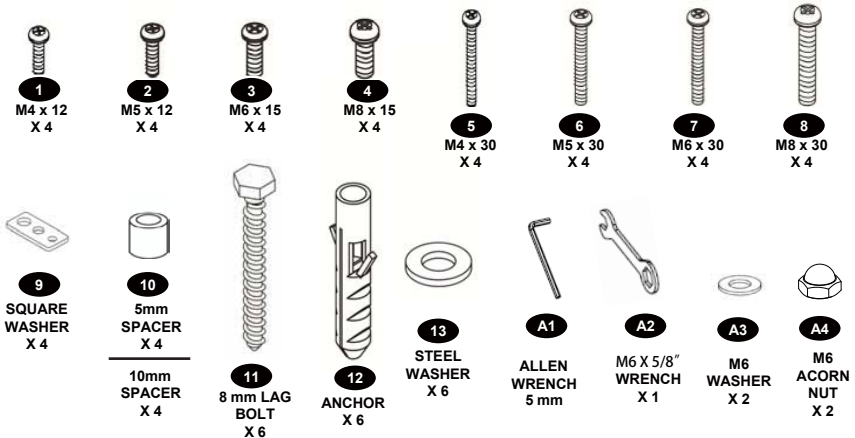


Screwdriver
Destornillador
Tournevis

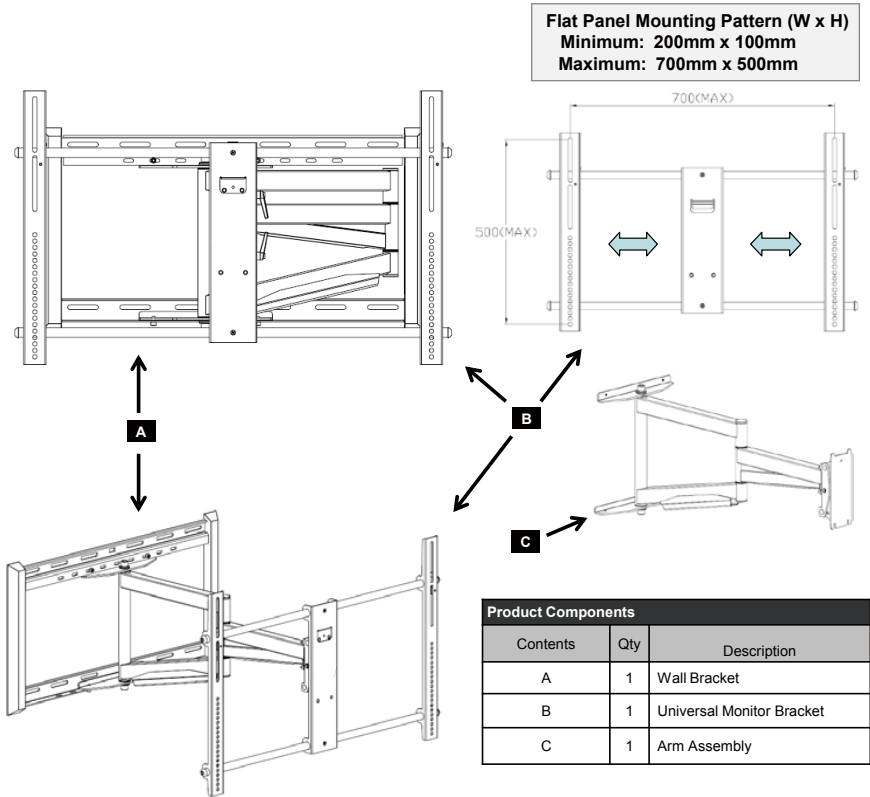


Heavy!
Très Lourd!
!Pesado!

HARDWARE PRODUCT NUMBERS



PRODUCT COMPONENT PARTS



Safety Warning

Please read this entire manual carefully before assembling this unit to avoid bodily injury and/or any property loss. If you do not understand these directions, or have any doubts about the safety of the installation, please call Tech Support at 1-866-839-9187.

Please check carefully to ensure there are no missing or defective parts. Our customer representatives can quickly assist you with installation questions and missing or defective parts. Replacement parts for products purchased through authorized dealers will be shipped to you directly.

Do not attempt to use any parts not provided by the manufacturer. Using other screws could cause injury or property loss.

Never use defective parts, as improper installation may cause damage or serious injury.

Do not use this product for any purpose not explicitly specified by Metra Home Theater Group™. Metra Home Theater Group™ cannot be liable for damage or injury caused by incorrect assembly, or incorrect use.

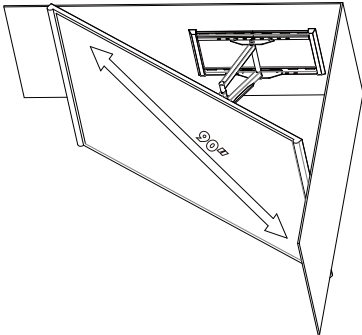
- Read these instructions.
- Keep these instructions.
- Heed all warnings.
- Follow all instructions.
- **WARNING:** Use only the supplied screws intended for the current application to avoid personal injury or property damage.

CORNER MOUNTING INFORMATION

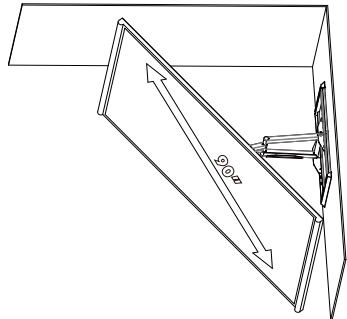
The Extra Large Full Motion Mount can be installed in a corner location when needed. Prior to installing the Mount it is important to determine the appropriate corner wall to install the mount. Please see diagrams below to assist in determining the appropriate wall placement to use.



Drawings below show the Extra Large Full Motion Mount attached to the left and right of the corner. Depending on the desired angle for viewing, please review to determine which wall to mount your panel.



Drawing shows panel mounted to left corner wall



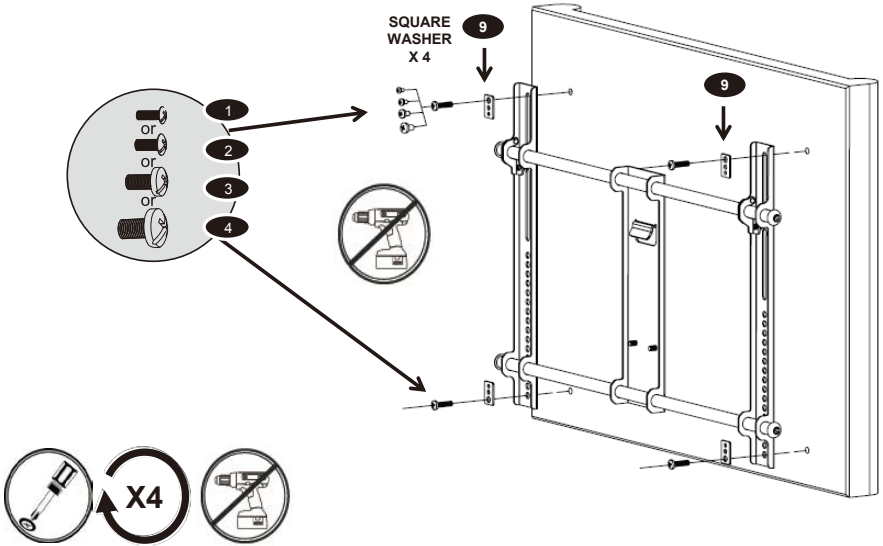
Drawing shows panel mounted to the right corner wall

Maximum angle for corner placement decreases as panel size increases.

STEP 1A- FLAT BACK FLAT PANEL (UNIVERSAL MONITOR PLATE)

Connect Universal Monitor Plate to flat panel

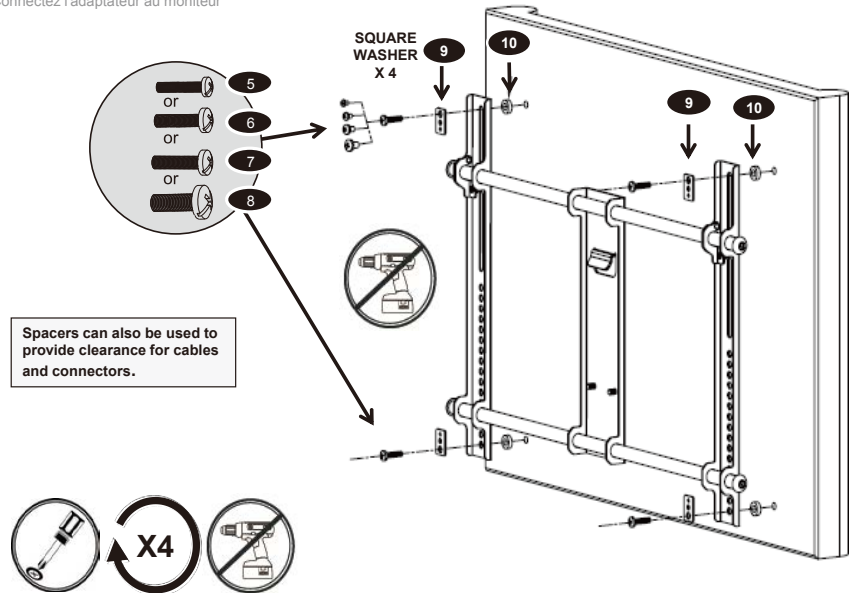
Conecte el adaptador al monitor
Connectez l'adaptateur au moniteur



STEP 1B- CURVED BACK FLAT PANEL (UNIVERSAL MONITOR PLATE)

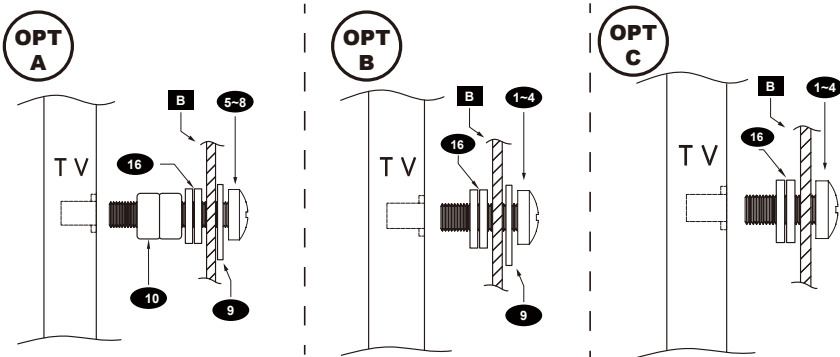
Connect Universal Monitor Plate to flat panel

Conecte el adaptador al monitor
Connectez l'adaptateur au moniteur



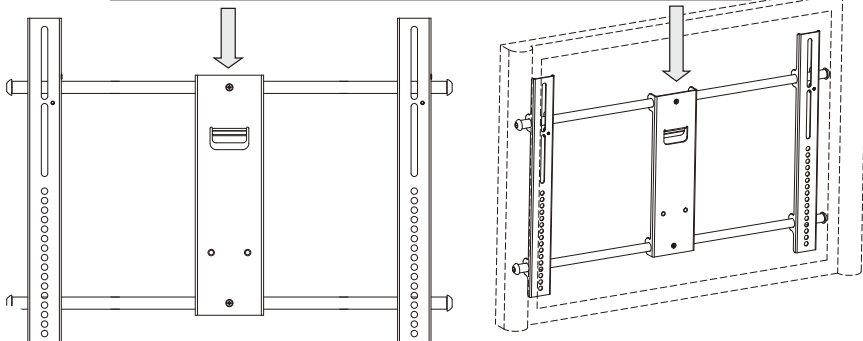
STEP 1- USE M8 STEEL WASHER IF THE PHILLIPS SCREWS FROM THE MONITOR KIT ARE TOO LONG

Diagrams show three options for using additional washers if hardware screws are too long to properly tighten into back of flat panel television.

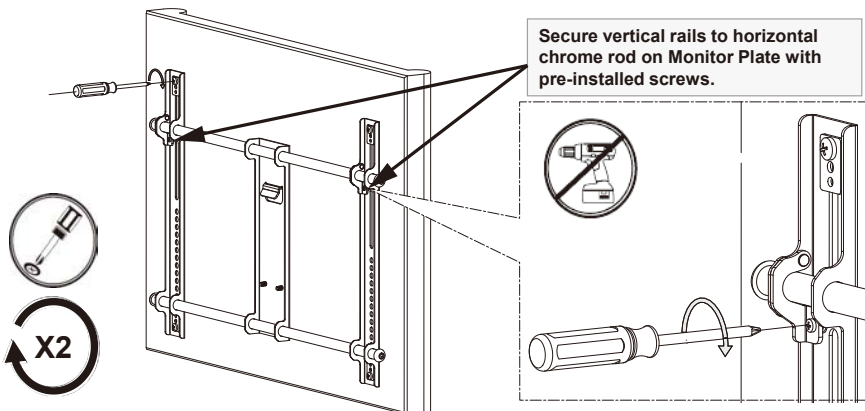


STEP 2- CENTER UNIVERSAL MONITOR PLATE

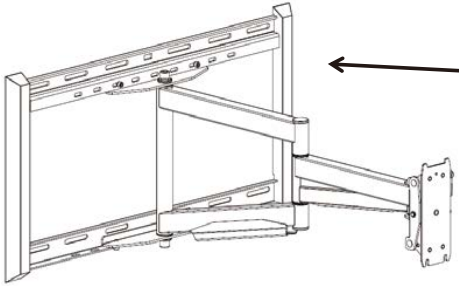
Monitor Plate must be centered (horizontal plane) on back of flat panel



STEP 2- SECURE UNIVERSAL MONITOR PLATE VERTICAL RAILS

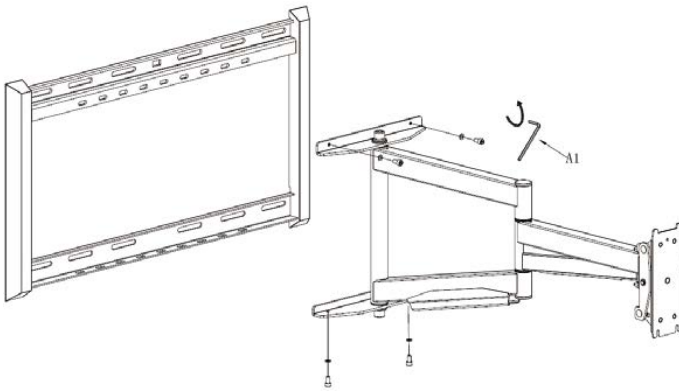


STEP 2C- PRIOR TO EXTENDING ARMS REMOVE ARM ASSEMBLY FROM WALL PLATE



Prior to extending arm:
• Remove 2 Allen screws at top of Arm Assembly with included Allen wrench.
• Remove 2 Allen screws at bottom of Arm Assembly with included Allen wrench.
Note- 4 Allen screws will be used in Step 4 to reattach arm assembly to wall mount.

Remove Arm Assembly by gently pulling lower section of Arm Assembly away from Wall Plate which will allow for top portion of Arm Assembly to be lowered and moved away from Wall Plate.

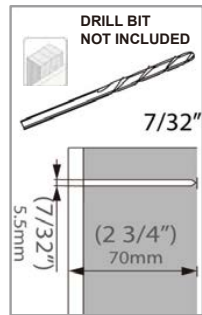
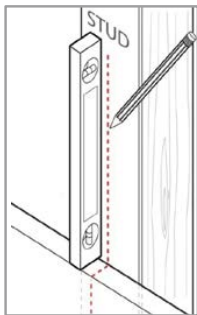
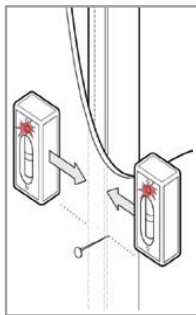


STEP 3A- WOOD STUD INSTALLATION (CONCRETE INSTALLATION SKIP TO 3B)

Find stud and mark edge and center locations

Ubique el panel y marque las ubicaciones de los bordes y el centro.

Repérez l'emplacement d'une poutre, puis marquez l'emplacement des bords et du centre de cette poutre.

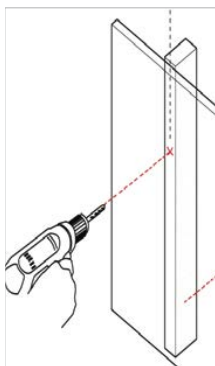


STEP 3A - DRILL PILOT HOLE AND MOUNT WALL PLATE

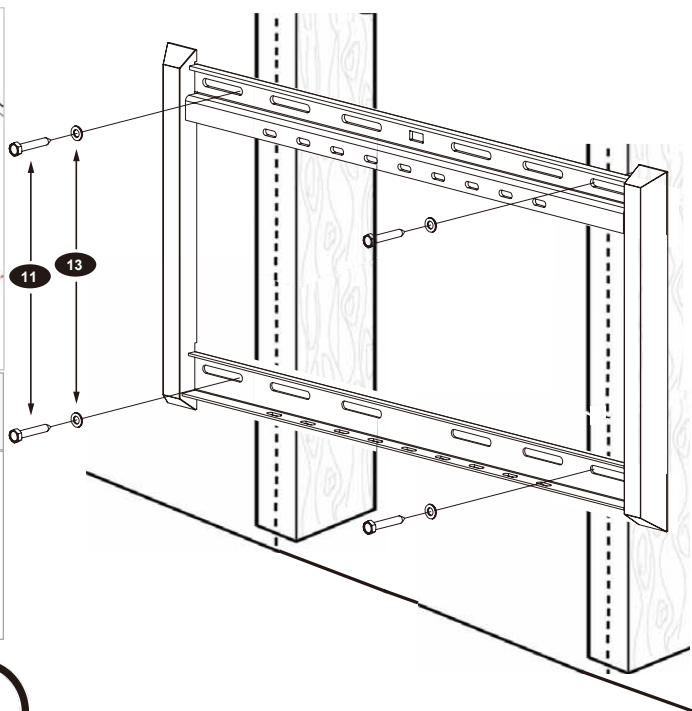
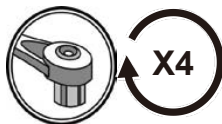
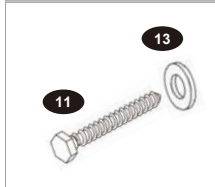
Mount wall plate

Coloque la placa de pared

Montez la plaque murale



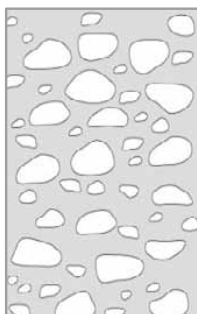
Secure lag bolts with steel washer to Wall Plate



STEP 3B – SOLID CONCRETE INSTALLATION

Solid Concrete

Concreto sólido
Béton massif



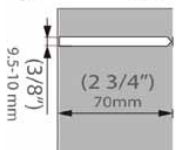
Drill Bit

S. broca
Foret

DRILL BIT
NOT INCLUDED



3/8"



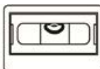
9.5-10 mm

(3/8")
(2 3/4")
70mm

Level

Nivelado
Level

LEVEL WALL PLATE
WITH INCLUDED
BUBBLE LEVEL AND
MARK HOLES FOR
DRILL BIT PILOT HOLE



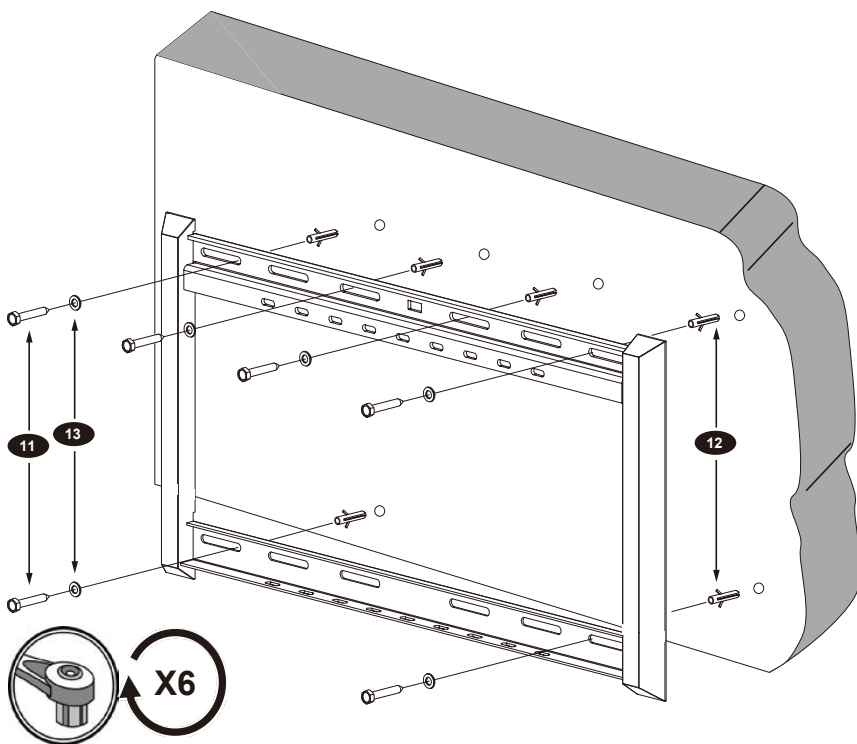
Drill pilot hole

Realice el agujero piloto
Percevez le trou de guidage

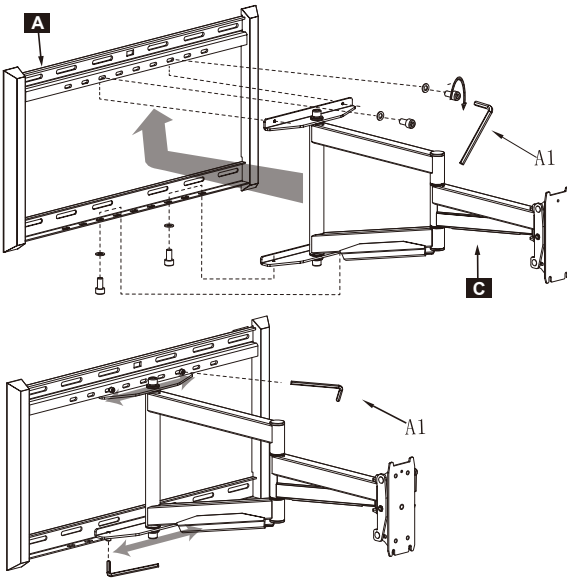


STEP 3B – DRILL PILOT HOLES AND MOUNT WALL PLATE

- Insert Wall Anchors into Concrete Wall
- Secure Lag Bolts to Wall Bracket

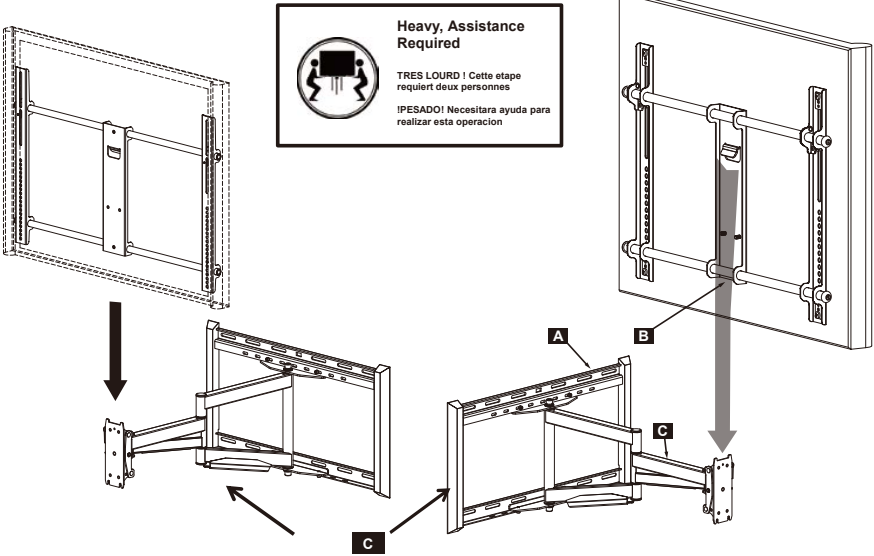


STEP 4 - ATTACH ARM ASSEMBLY TO WALL BRACKET

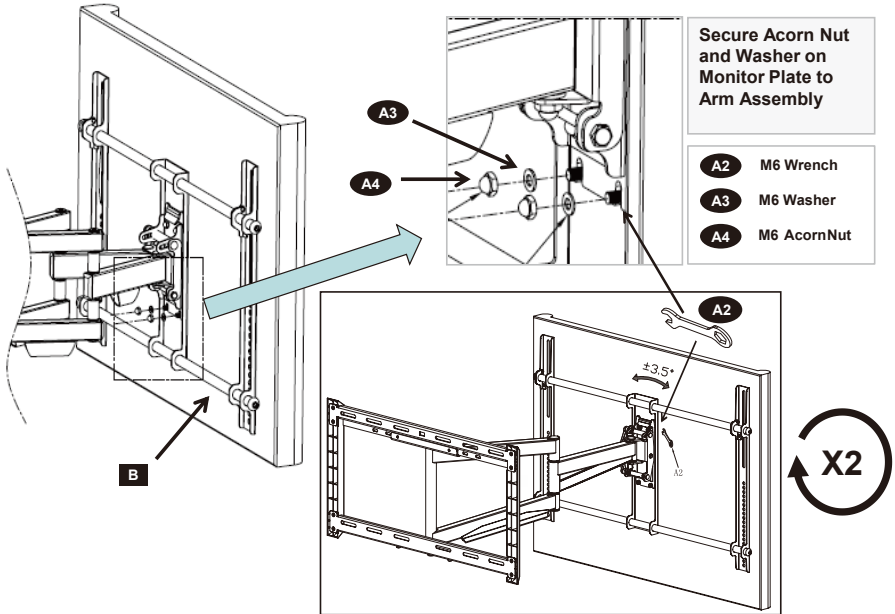


Position Arm Assembly to desired lateral position on wall bracket for optimum placement of Flat Panel. Secure Arm Assembly to Wall plate using screws removed from Step 2.

STEP 5 - ATTACH UNIVERSAL MOUNT BRACKET TO ARM ASSEMBLY & WALL BRACKET

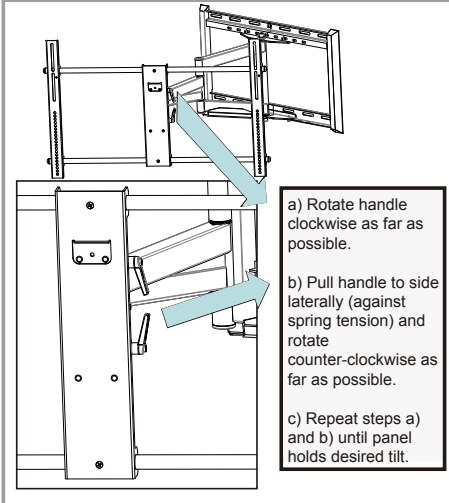


SECURE MONITOR PLATE TO ARM ASSEMBLY

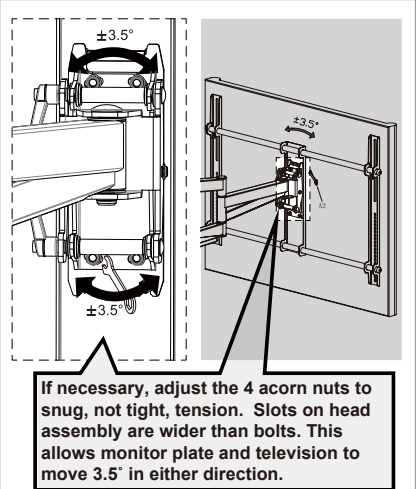


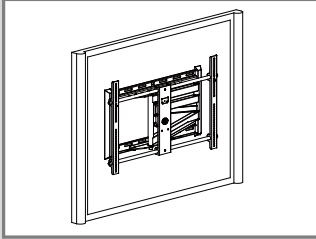
ADJUST TILT TENSION/ POST INSTALLATION LEVEL

Adjust tilt mechanism tension with ratchet handle lever



Built-in level feature for post installation correction





**Congratulations!
Installation complete**

WARRANTY INFORMATION

- This warranty applies to US Residents who purchase from an authorized Helios Dealer. Helios products are covered against defects in materials and workmanship for 5 years. Helios will repair or replace the defective component or product, at its sole discretion. Failure to follow product care instructions from Helios will result in void of warranty.
- To obtain warranty service, contact Helios customer service at 1-866-839-9187. You must supply a copy of your original receipt. If your product must be shipped to Helios for inspection, you will be responsible for the shipping charges. Replacement product shipped to you will be returned freight pre-paid.
- Helios disclaims any liability for modifications, improper installations, installations over the specified weight range, or failure to follow care instructions provided by Helios. To the maximum extent permitted by law, Helios disclaims any other warranties, expressed or implied, including warranties of fitness for a particular purpose and warranties of merchantability. Helios will not be liable for any damages arising out of the use of, or inability to use, Helios products.
- This warranty gives you specific legal rights, and you may also have other rights which vary from state to state.
- Specifications are subject to change without prior notice.

HELIOS™

©2016 Metra Electronics Corporation, 460 Walker Street, Holly Hill, FL 32117-2699

Specifications are subject to change without notice.

All trademarks are the property of their respective owners.

Metra
HOME THEATER GROUP

1-866-839-9187

www.metrahometheater.com