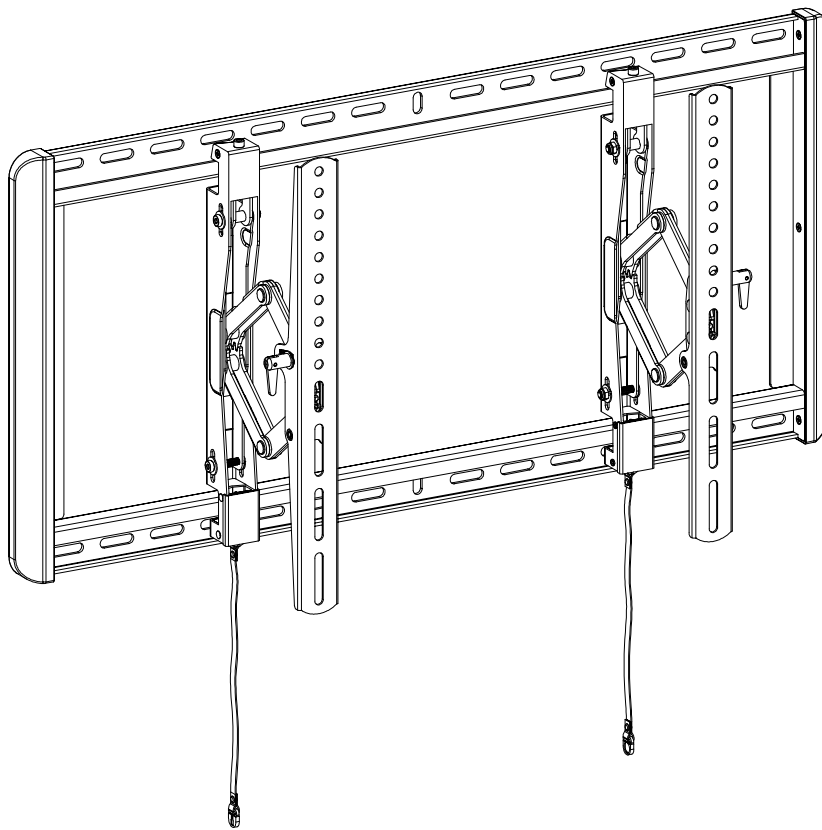


HELIOS®

ASSEMBLY INSTRUCTION



Model:
HTL64

▲ CAUTION :

- Please read this instruction carefully before assembly.
- Fits for 42-90in plasma and LCD TV.
- Weight capacity 150lbs(68kg).

⚠ CAUTION :

SAFETY WARNING:

Never let children climb on product or play with product.

Do not sit or stand on product.

Do not fasten a TV that is heavier than the recommended load rating to the mount.

Using suitable concrete block/wall or wood stud wall.

Improper installation may cause property damage and/or personal injury, so the installation must be done by two qualified contractors. The manufacture is not liable for damage or injury caused by incorrect mounting, assembly or use.

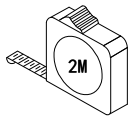
Improper handling can result in cuts and lacerations.

Pictures for reference only, subject to our available products.

Keep this instruction for future reference.

⚠ CAUTION : This mount is intended for use with weights not exceeding "maximum weight capacity 150lbs." The wall itself has to be capable of supporting 2X standard weight plus 200lbs. Please don't over tighten screws in order to avoid any injury. Use with products heavier than the maximum weights indicated may result in collapse of the mount and its accessories causing possible injury.

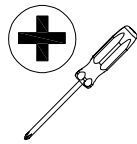
● Installation Tools(Not Included)



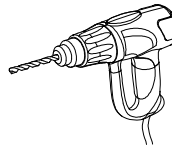
Band Tape



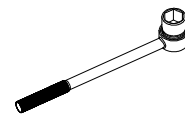
Pencil



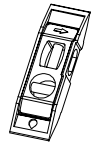
Screwdriver



Electrodrill



Socket Wrench
1/2"(13mm)

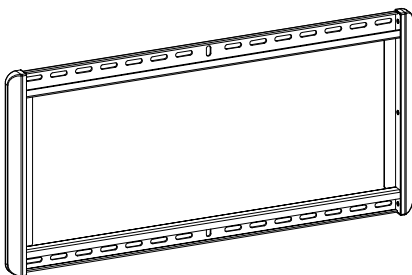


Level

Wood Stud Install		
	7/32"(5.5mm) Wood Drill Bit	Stud Finder

Concrete Install		
	3/8"(10mm) Masonry Drill Bit	Hammer

● Part list:



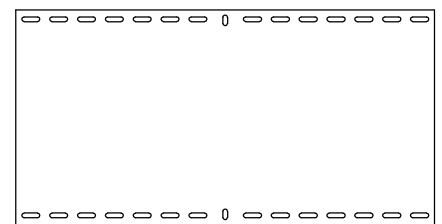
A--Wall plate
1pc



B--TV bracket(Left)
1pc

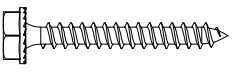
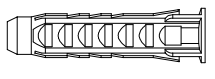



C--TV bracket(Right)
1pc


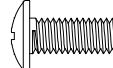
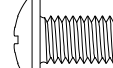
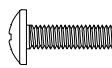
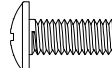
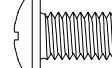
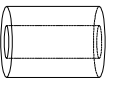
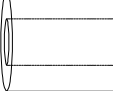
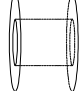


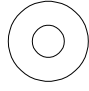


Mounting Template

● Wall mounting and TV bracket assembly hardware:

		
01 M8x60mm Lag bolt 4 pcs	02 Anchor 4 pcs	03 Allen key 1 pc

● TV mounting hardware:

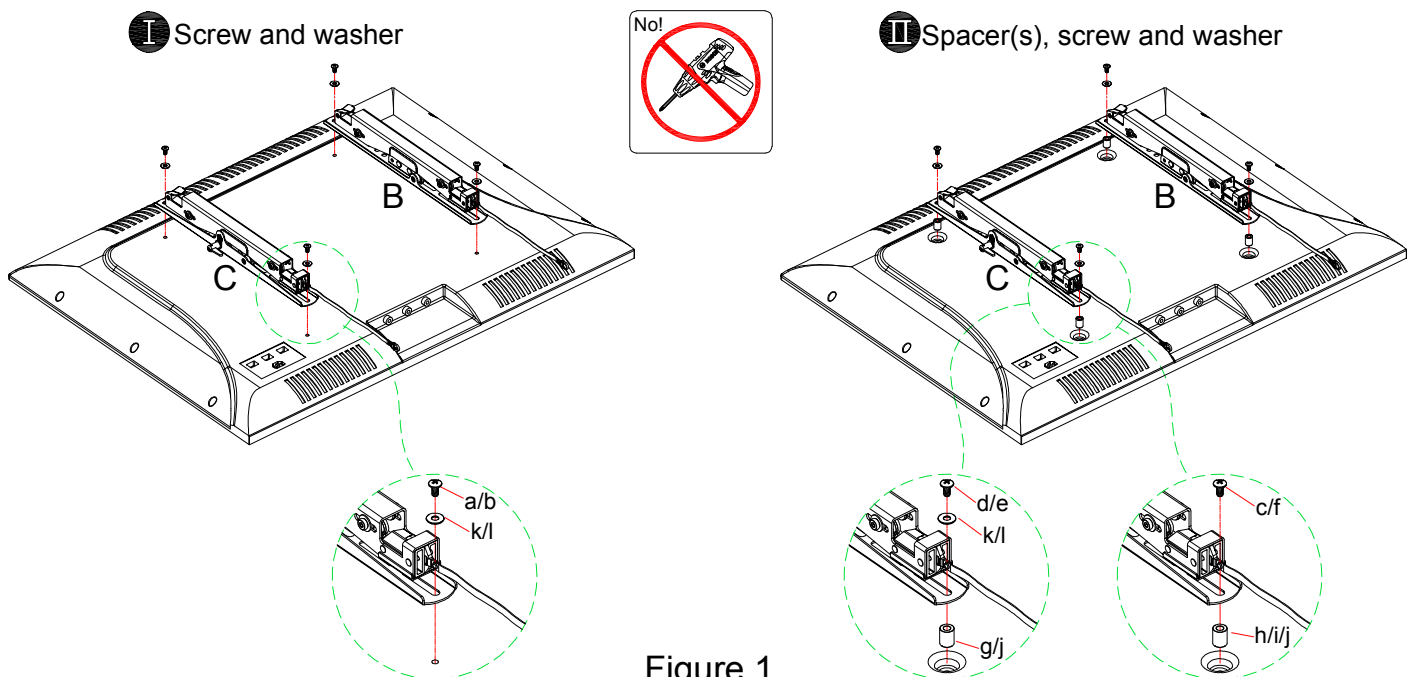
					
a--M4x12 screw 4 pcs	b--M6x12 screw 4 pcs	c--M8x25 screw 4 pcs	d--M4x30 screw 4 pcs	e--M6x35 screw 4 pcs	f--M8x45 screw 4 pcs
					
g--M6x17mm spacer 4 pcs	h--M8x22mm spacer 4 pcs	i--M8x10mm spacer 4 pcs	j--2.5mm spacer 8 pcs	k--M5 washer 4 pcs	l--M6 washer 4 pcs

Step 1: Attach Bracket (B) (C) to the back of TV, choose corresponding screws, washer, spacer (if needed) to attach to the holes of TV rear. (Figure 1)

⚠ CAUTION:

- Please **DO NOT** use an electrodrill to secure the brackets to the TV.
- Using incorrect bolts may damage your TV.

NOTE: Choose proper washer or spacer that fits your particular TV mounting holes.



Tips: If you need to combine M6(b/e) or M8(c/f) screw with 2.5mm spacer(j), you have to remove the inner circle.

Step 2: Install wall plate (A) on the wall.

For concrete wall: Remove the plaster board on the surface of the concrete wall. Hold the wall plate (A) against the concrete wall at the desired position. Next, using a pencil, mark 4 hole locations. Drill holes according to pencil marks using a 3/8" size drill bit to a depth of 2.5". Insert concrete anchors **02** into holes. You may need to use a hammer to lightly tap the concrete anchors into the wall. Then attach the wall plate (A) to the wall with lag bolts **01**. (Figure 2)

CAUTION: The concrete wall must be a minimum thickness of 5.5 inches and the surface covering can't be more than 3/8 inches.

CAUTION: Do not use on concrete block.

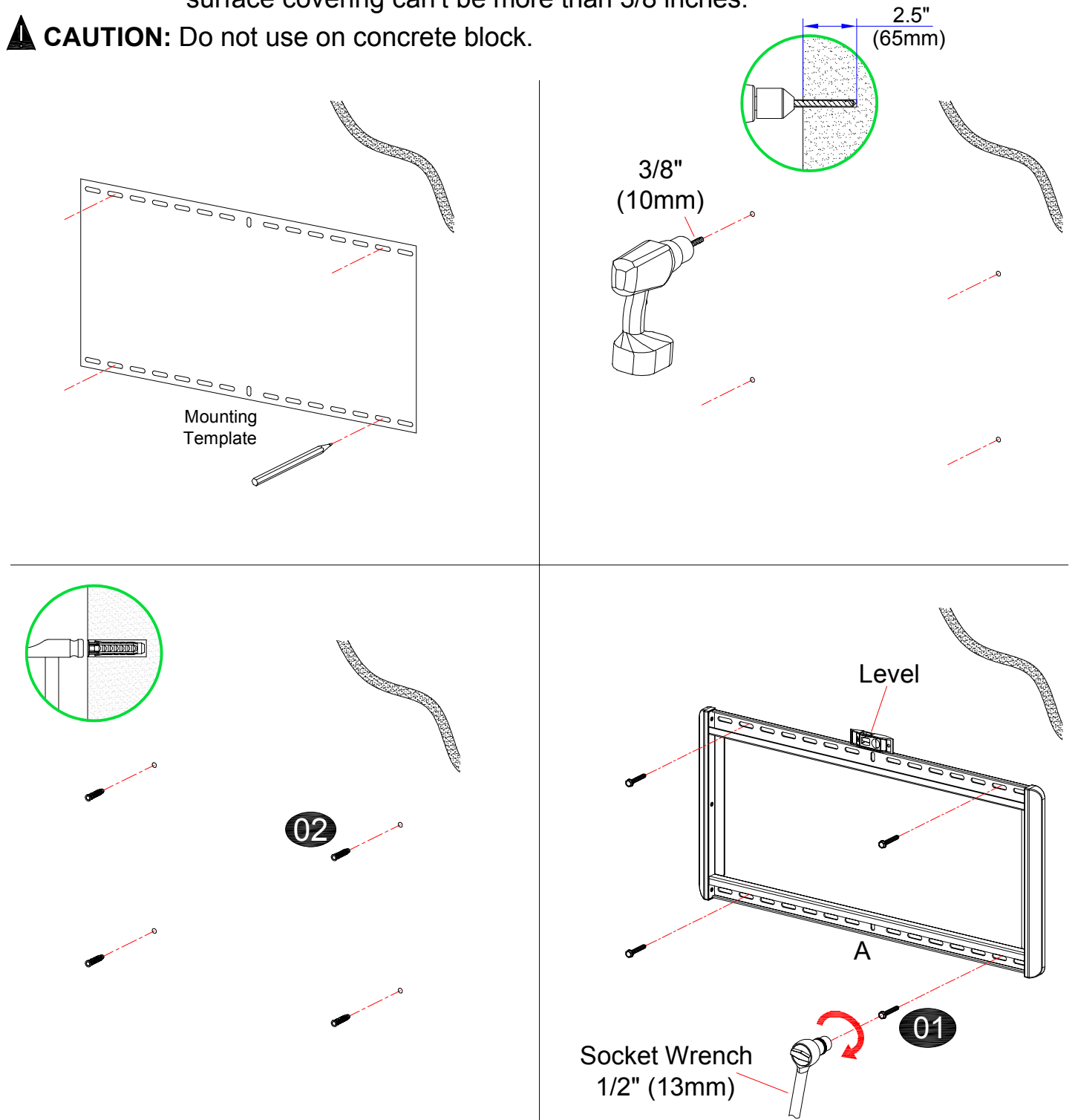


Figure 2 (keep the wall plate level)

For wood studs: Using the stud finder, locate your two wood studs. Hold the wall plate (A) against the wall at the desired position. Next, using a pencil, mark 4 hole locations. Pre-drill the 4 marked holes using a 7/32" drill bit to a depth of 2.5". Attach the wall plate (A) to the wall with lag bolts 01. (Figure 3)

NEVER USE ANCHOR 02 FOR WOOD STUDS ASSEMBLY

▲ CAUTION: The wood stud minimum size is 2x4 inches, and the surface covering can't be more than 5/8 inches. Drill hole on the wood stud center line.

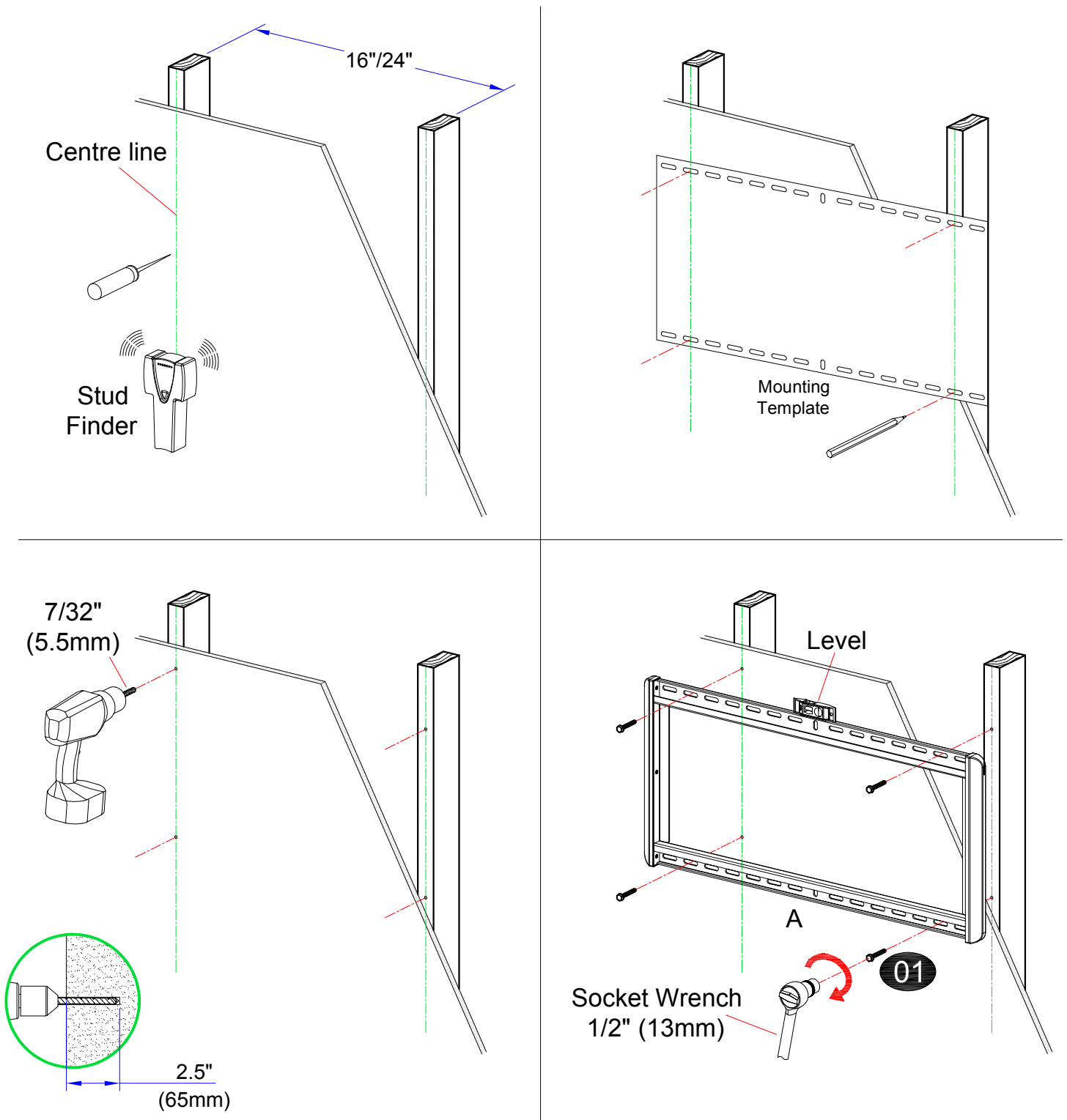


Figure 3 (keep the wall plate level)

Step 3: Hang the pre-assembled TV unit onto the wall plate (A). Pull down straps to lock the brackets in place. (Figure 4)

▲ CAUTION: This step must require 2 or more people to complete installation.

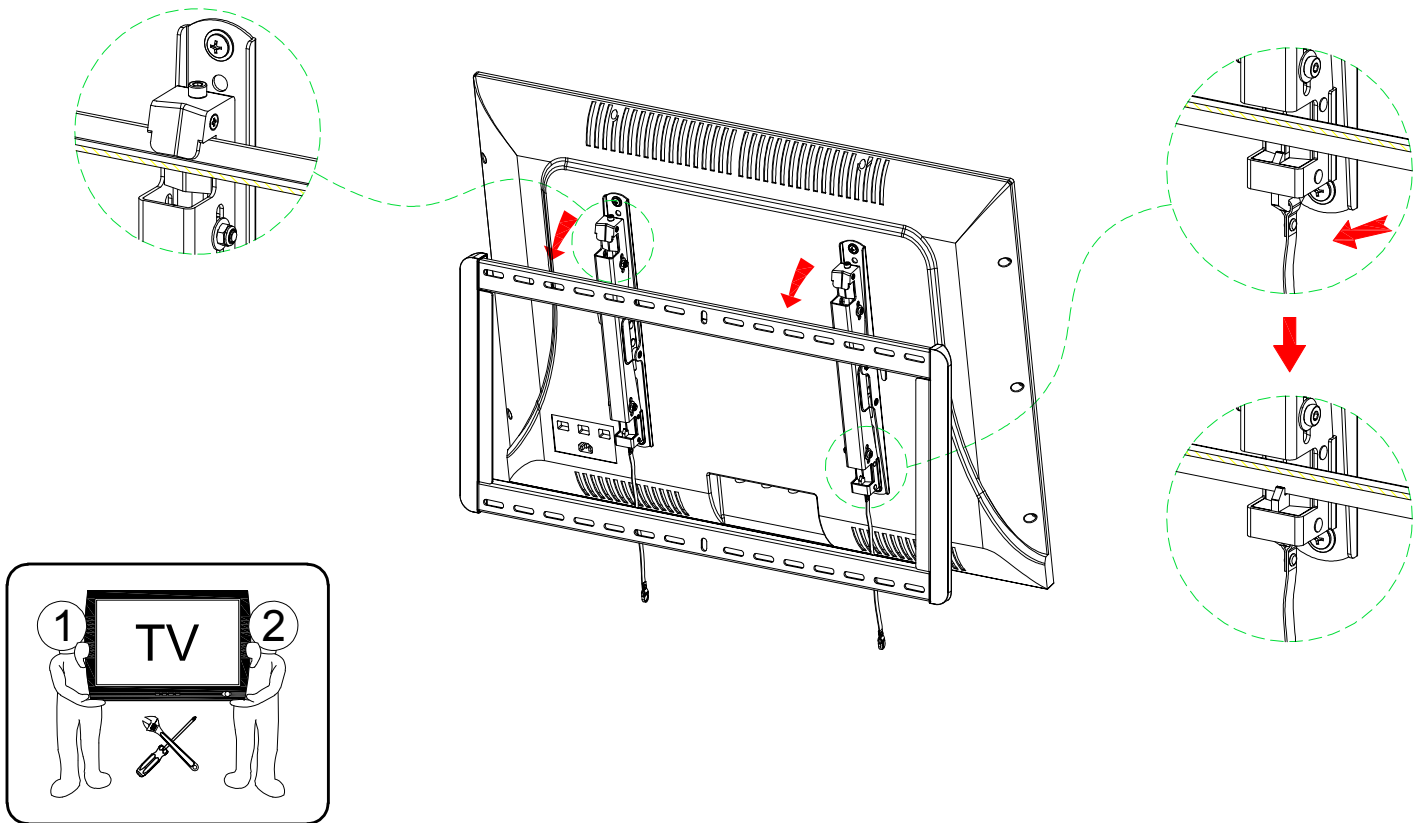


Figure 4

Step 4: Tighten or loosen these 2 screws on the top of bracket (B) and (C) to level your TV by using the allen key 03. (Figure 5)

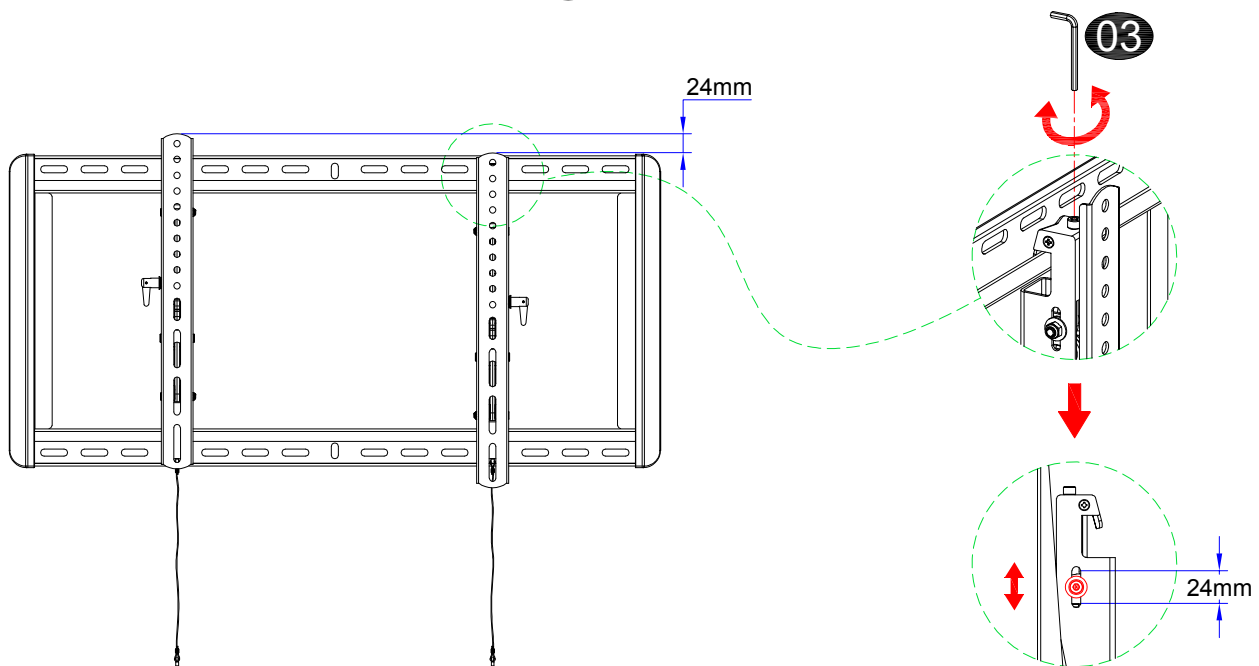


Figure 5

Step 5: Adjustment distance from wall and rotation angle from side to side. (Figure 6)

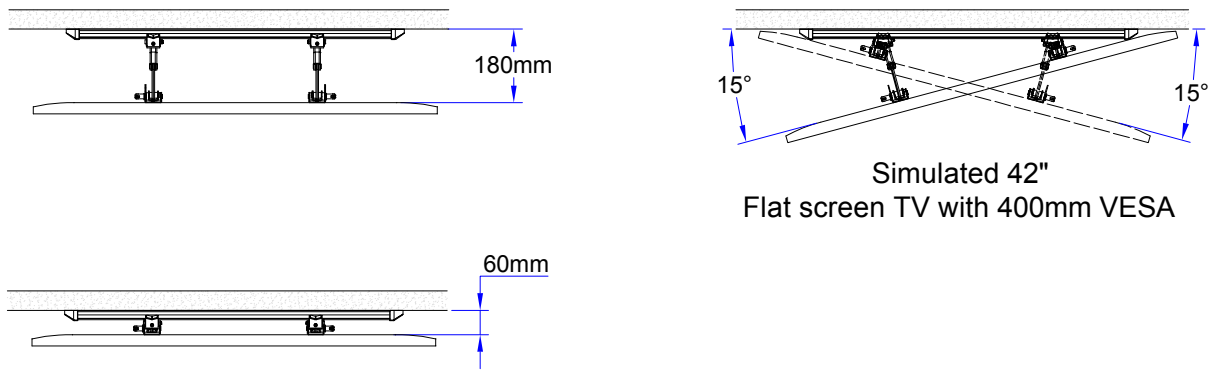


Figure 6

Step 6: Tilting angle adjustment (+2°/-15°):

Loosen handles by maximum 1/2 turns, adjust TV to your desired position, then tighten the handles. (Figure 7)

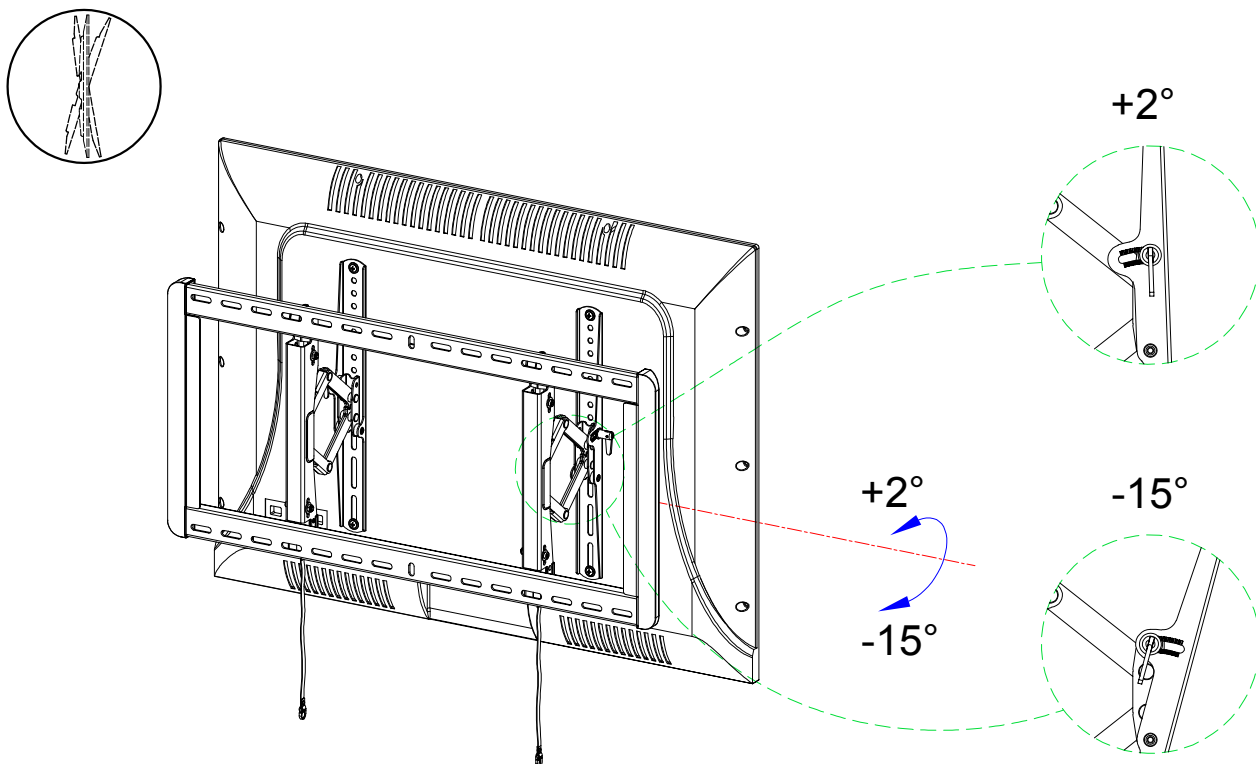
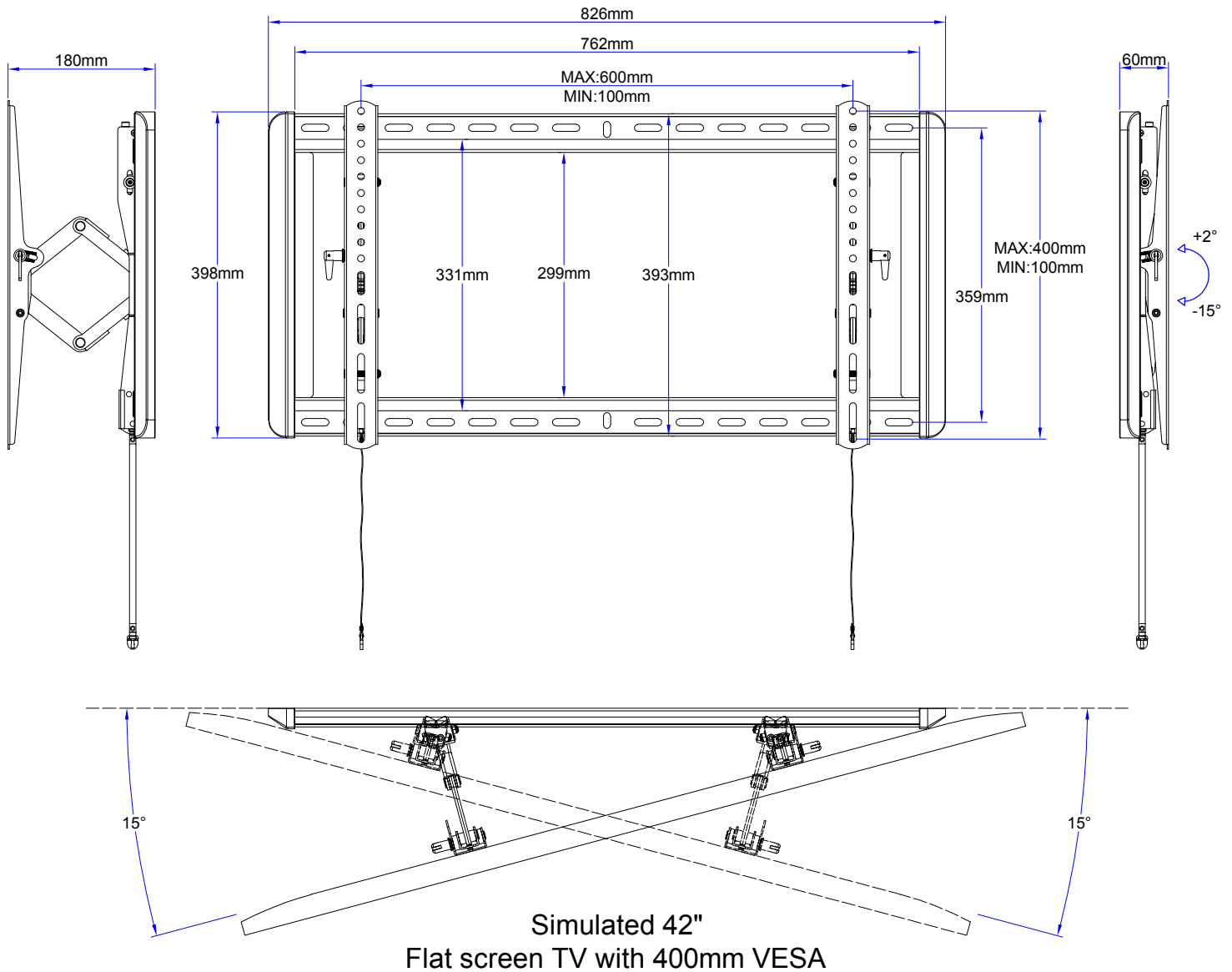


Figure 7

Product dimensions:



⚠ CAUTION :

PAY EXTRA CARE AND ATTENTION WHEN YOU FASTEN TWO TV BRACKETS TO THE BACK PANEL OF TV IN STEP 1. MAKE SURE THE APPROPRIATE MOUNT HARDWARE IS BEING USED PROPERLY.

1. Select correct mounting hardware according to the screw hole size of your TV, discard any remaining screws or spacers.
2. Carefully lay your TV on its face on a non-abrasive surface, making sure to lay padding underneath it so as not to damage the screen.
3. Place left TV bracket and right bracket in the appropriate position, making sure CENTERED on the back of the TV and LEVEL with another.
4. This product only install on the perpendicular wall, not install on the ceiling.

 ethereal

EtherealPro.com • 386•255•0234