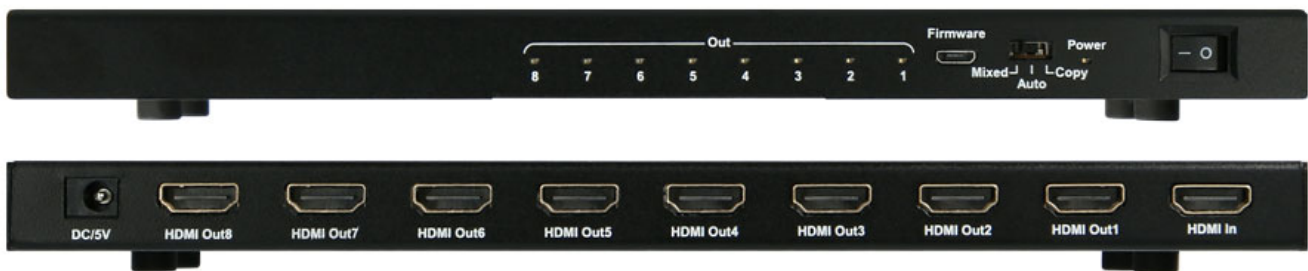




CS-1X8HDMSP5 HDMI 2.0 1x8 HDMI Splitter, HDCP2.2 Supports 3D, 4Kx2K@60Hz(YUV 4:4:4), 18G, HDR, EDID

Operating Instructions



Notice

The information in this document is subject to change without notice. Every effort has been made in the preparation of this document to ensure accuracy of the contents, but all statements, information, and recommendations in this document do not constitute the warranty of any kind, express or implied.

Features

- Simultaneously displays an Ultra Hi-Def source on up to eight Ultra HD displays.
- Supports resolutions up to Ultra HD 4Kx2K(3840x2160@60Hz YUV 4:4:4).
- Supports three kinds of EDID handling abilities.
- Supports HDCP2.2/1.4 Compliant.
- Supports 36 bit Deep Color.
- Supports LPCM 7.1, Dolby[®] TrueHD, Dolby digital[®] Plus, and DTS-HD[®] Master Audio.[™]
- Support 3D.
- Bandwidth 18G.
- Support HDR.
- Support online firmware upgrade via Micro USB Port.

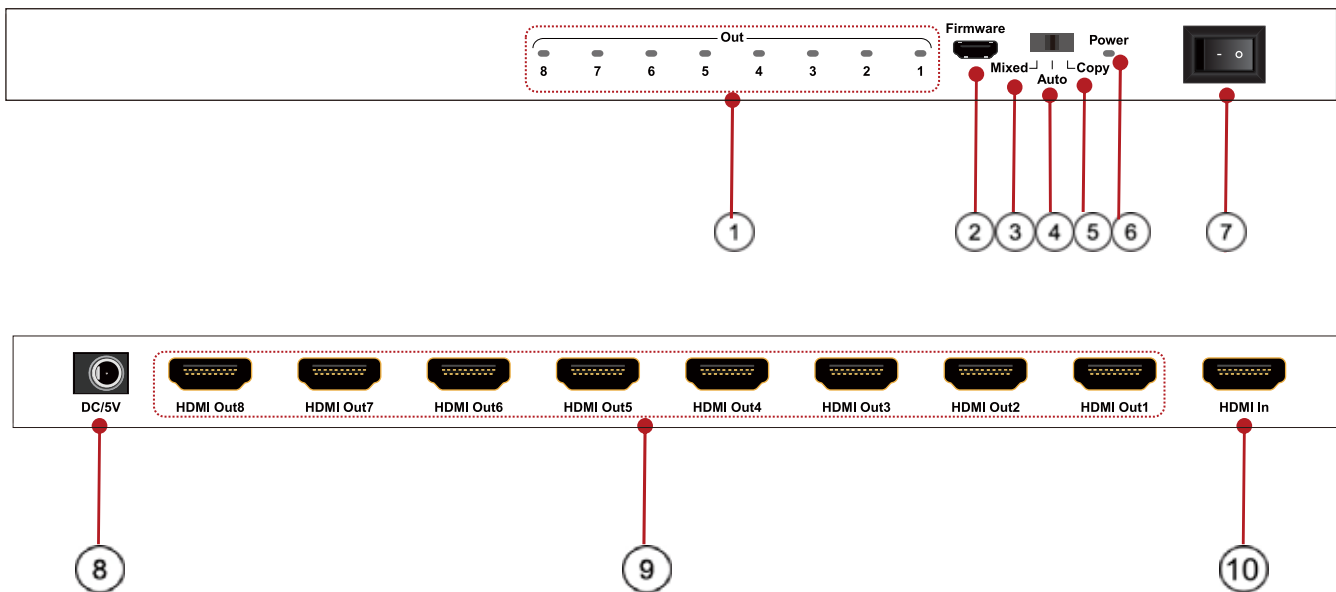
Package Contents

- 1 x HDMI Splitter
- 1 x 5V/1A DC Adapter
- 1 x User Manual

SPECIFICATIONS

Operating Temperature Range	-5 to +40°C (+23 to +104°F)
Operating Humidity Range	5 to 90%RH (No Condensation)
Bandwidth frequency	18Gbps
HDCP	HDCP2.2
Input ports	1xHDMI(female)
Output ports	8xHDMI outputs(female)
Resolution outputs	up to 4Kx2K(3840x2160@60Hz YUV 4:4:4)
Dimensions(LxWxH)	247.2x110x17mm
Power consumption	5W(MAX)
Transmission Distance	15m(Maximum)over standard HDMI cable/26AWG
Net Weight	610g

PANEL DESCRIPTIONS



- ① Indicator of HDMI output
- ② Firmware port
- ③ Switch to “Mixed EDID” mode
- ④ Switch to “Auto EDID” mode
- ⑤ Switch to “Copy EDID” mode
- ⑥ Indicator of Power input
- ⑦ Power on/off: press the up/down to open/close the device
- ⑧ Power input
- ⑨ HDMI output ports
- ⑩ HDMI input port

EDID Introduction:

Copy EDID: ^① output 8 is prior port

When **output 8** is connected to one display, other displays connected to other outputs will follow the resolution of output 8.

Auto: ^① Default 4K@60Hz.

Mixed EDID: always follow the lowest resolution of the displays connected to 8 outputs in order to support all displays show the source.



Note

^① **The HDCP Version is prior to EDID, when the source is HDCP2.2, if the TV supports HDCP2.2, it will output 4K@60Hz, if the TV doesn't support HDCP2.2, it will output 1080p. please see below table:**

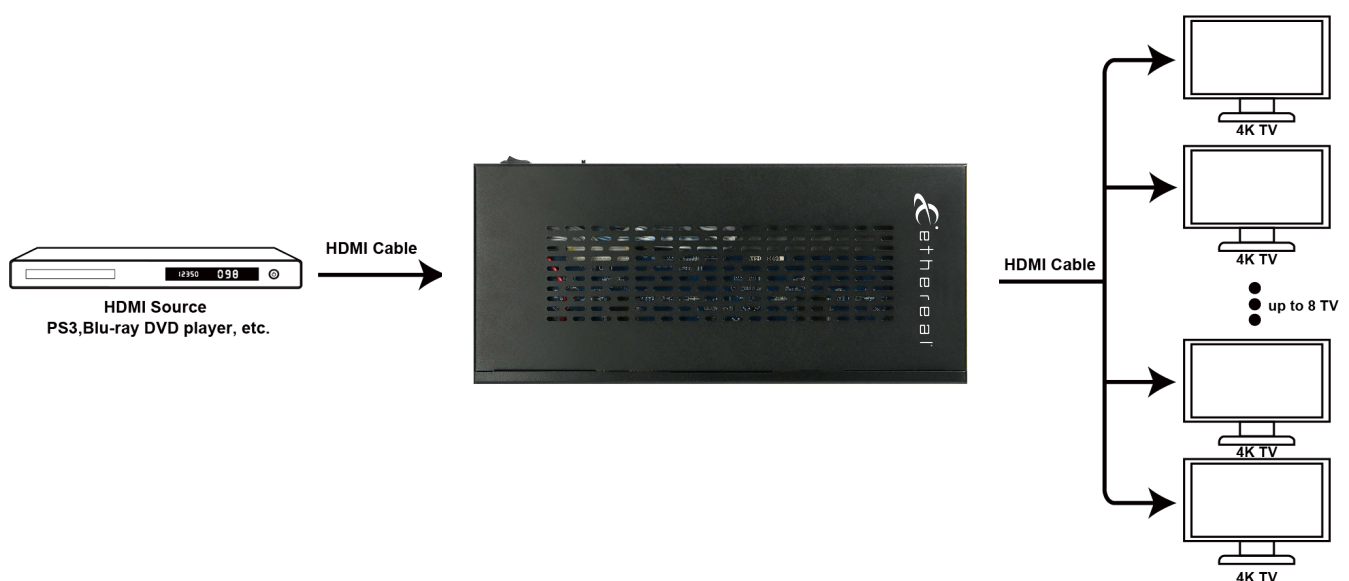
Input source	HDMI display Support HDCP2.2	HDMI display Doesn't support HDCP2.2
HDCP2.2 4K@60Hz	HDCP2.2 4K@60Hz	HDCP1.4 1080p@60Hz
HDCP2.2 4K@24Hz	HDCP2.2 4K@24Hz	HDCP1.4 1080p@24Hz
HDCP1.4 4K@24Hz	HDCP1.4 4K@24Hz	HDCP1.4 4K@24Hz

^② **Supports HDR under copy EDID and Mixed EDID mode**

Connecting and operating

- 1) Connect the HDMI input source to input port of HDMI splitter.
- 2) Connect the HDMI splitter output ports to the displays.
- 3) Power up splitter, source and displays.

Connection Diagram



Safety information

Safeguards



To reduce the risk of electric shock, do not expose this product to rain or moisture

PRODUCT SERVICE

1) **Damage requiring service:** The unit should be serviced by qualified service personnel if:

- (a) The DC power supply cord or AC adaptor has been damaged;
- (b) Objects or liquids have gotten into the unit;
- (c) The unit has been exposed to rain;
- (d) The unit does not operate normally or exhibits a marked change in performance;
- (e) The unit has been dropped or the cabinet damaged.

Servicing Personnel: Do not attempt to service the unit beyond that described in these operating instructions. Refer all other servicing to authorized servicing personnel.

Warranty Statement

Metra Home Theater Group, a division of Metra Electronics Corporation (hereinafter, the "Company") extends to the original retail purchaser of this product the following limited one year (12 Month warranty) based upon the following terms and limitations. This limited warranty is provided by the Company and there are no other warranties, expressed or implied, except as required by law, including warranties of merchantability and fitness for a specific purpose, that are provided for herein, however all such implied warranties, if any, are limited to the duration of this specific limited product warranty. Some states do not allow limitations on how long an implied warranty lasts, so the above limitations may not apply to you.

If this product or any part thereof, under normal use and conditions, be proven defective in material or workmanship within 12 months from the date of original purchase, such defect(s) will be repaired or replaced (at the Company's option) without charge for parts and repair labor. To obtain repair or replacement within the terms of this Warranty, the product along with any accessories included in the original packaging must be delivered with proof of purchase in the form of a bill of sale, receipt, credit card transaction, or the bar code and product number on the box. In addition, please provide a written specification as to the nature of defect(s), prepay the cost of shipping, and send the product to the Company at the address show below. No returns will be accepted without prior written authorization. Please contact Metra Home Theater Group for Return Authorization.

Do not return this product to the Retailer.

This Warranty is not transferable and does not cover any product purchased, serviced or used outside the United States or Canada. The Warranty does not cover damage caused by an AC adapter not provided with the product. Damage caused by accidents, abuse, misuse or modification of the product will render this warranty null and void.

Metra Electronics Corporation shall not be liable, under any circumstances, for incidental, indirect, special, and consequential or multiple damages as a result of the sale or use of this product. Some states/countries do not allow the exclusion or limitation of incidental or consequential damages, so the above limitation or exclusion may not apply to you.

Warranty Conditions

THE EXTENT OF THE COMPANY'S LIABILITY UNDER THIS WARRANTY IS LIMITED TO THE REPAIR OR REPLACEMENT PROVIDED ABOVE AND, IN NO EVENT, SHALL THE COMPANY'S LIABILITY EXCEED THE PURCHASE PRICE PAID BY PURCHASER FOR THE PRODUCT.

No person or representative is authorized to assume for the Company any liability other than expressed herein in connection with the sale of this product.



©2024 Ethereal

460 Walker Street, Holly Hill, FL 32117-2699

Specifications are subject to change without notice.

All trademarks are the property of their respective owners.

386-255-0234

www.etherealpro.com