

Safety information

Safeguards



To reduce the risk of electric shock, do not expose this product to rain or moisture



386.255.0234 www.EtherealPro.com

© Copyright Ethereal

HDMI 2.0 1x2 HDMI Splitter, HDCP 2.2

Supports 3D, 4Kx2K@60Hz (YUV 4:4:4), 18G, HDR, EDID

CS-1X2HDMSPL5



Notice

The information in this document is subject to change without notice. Every effort has been made in the preparation of this document to ensure accuracy of the contents, but all statements, information, and recommendations in this document do not constitute the warranty of any kind, express or implied.

Features

- Simultaneously displays an Ultra Hi-Def source on up to two Ultra HD displays.
- Supports resolutions up to Ultra HD 4Kx2K(3840x2160@60Hz YUV 4:4:4).
- Supports three kinds of EDID handling abilities.
- Supports HDCP2.2/1.4 Compliant.
- Supports 36 bit Deep Color.
- Supports LPCM 7.1, Dolby® TrueHD, Dolby digital® Plus, and DTS-HD® Master Audio™.
- Support 3D.
- Bandwidth 18G.
- Support HDR.
- Support online firmware upgrade via Micro USB Port.

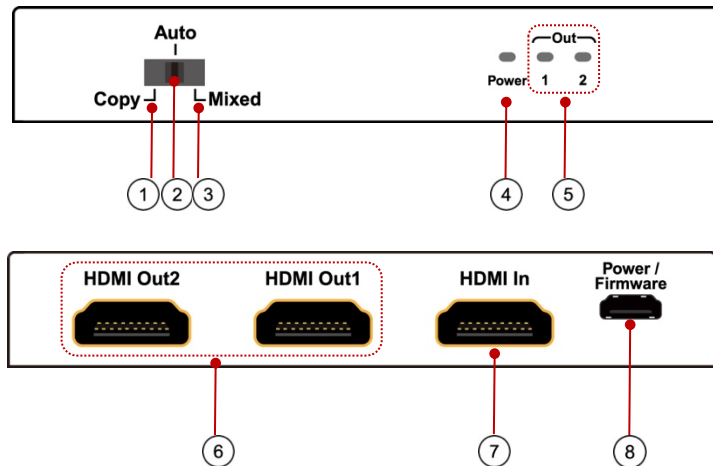
Package Contents

- 1 x HDMI Splitter
- 1 x 5V/1A DC Adapter
- 1 x User Manual

SPECIFICATIONS

Operating Temperature Range	-5 to +40°C(+23 to +104°F)
Operating Humidity Range	5 to 90%RH (No Condensation)
Bandwidth frequency	18Gbps
HDCP	HDCP2.2
Input ports	1xHDMI(female)
Output ports	2xHDMI outputs(female)
Resolution outputs	up to 4Kx2K(3840x2160@60Hz YUV 4:4:4)
Dimensions(LxWxH)	93.6x61x15mm
Power consumption	1W(MAX)
Transmission Distance	10m(Maximum)over standard HDMI cable/24AWG
Net Weight	120g

PANEL DESCRIPTIONS



- ① Switch to "Copy EDID" mode
- ② Switch to "Auto EDID" mode
- ③ Switch to "Mixed EDID" mode
- ④ Indicator of power input
- ⑤ Indicator of HDMI output
- ⑥ HDMI output ports
- ⑦ HDMI input port
- ⑧ Power/Firmware port

EDID Introduction:

Copy EDID: output 1 is prior port
 a. When **output 1** is connected to one display, another display which connected to output 2 will follow the Resolution of output 1.
 b. When **output 1** is disconnected, output 2 will output 4K@60Hz.

Auto: Default 4K@60Hz.

Mixed EDID: always follow the lowest resolution of the displays connected to 2 outputs in order to support all displays show the source.

Note ① **The HDCP Version is prior to EDID, when the source is HDCP2.2, if the TV supports HDCP2.2, it will output 4K@60Hz, if the TV doesn't support HDCP2.2, it will output 1080p. please see below table:**

Input source	HDMI display Support HDCP2.2	HDMI display Doesn't support HDCP2.2
HDCP2.2 4K@60Hz	HDCP2.2 4K@60Hz	HDCP1.4 1080p@60Hz
HDCP2.2 4K@24Hz	HDCP2.2 4K@24Hz	HDCP1.4 1080p@24Hz
HDCP1.4 4K@24Hz	HDCP1.4 4K@24Hz	HDCP1.4 4K@24Hz

② **Support HDR under copy EDID and Mixed EDID mode!**

Connecting and operating

- 1) Connect the HDMI input source to input port of HDMI splitter.
- 2) Connect the HDMI splitter output ports to the displays.
- 3) Power up splitter, source and displays.

Connection Diagram

