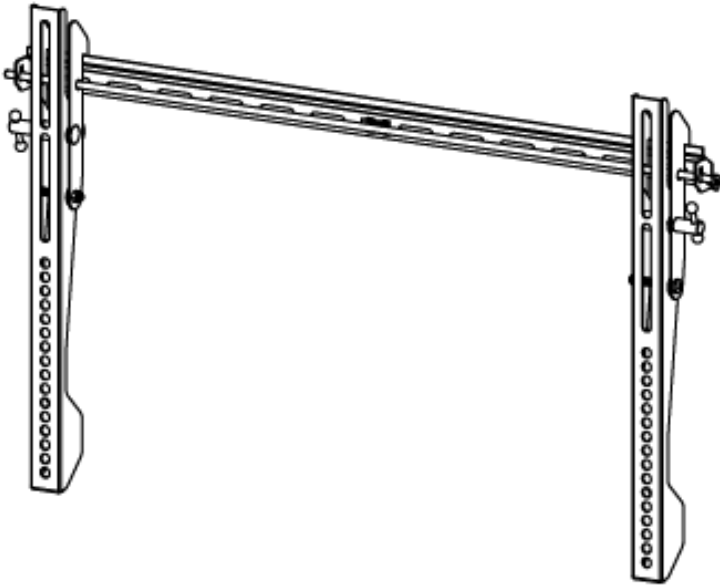


HELIOS™

Assembly Instructions

CS-TM44E (M) / CS-TL64E (L)



-
- Please read these instructions carefully before using.
 - Max screen size: 55" (M) / 70" (L)
 - Load capacity: 100 lbs/60kg (M) : 150 lbs/68kg (L)

TOOLS NEEDED

Herramientas Necesarias
Outils Requis



7/32"
5.5 mm



3/8"
10 mm



SYMBOLS



Drill
Aggènciar
Perceur



Level
Nivell
Niveau



Socket Wrench
Llave española
Clé ouverte



Caution
Precaucion
Attention



Tighten
Ajustar
Serrer



Pencil Mark
Marque con lápiz
Marque de crayon



Screwdriver
Destornillador
Tournevis



Heavy!
Tres Lourd!
!Pesado!

HARDWARE PART NUMBERS



1
M4 x 12
X 4



2
M5 x 12
X 4



3
M6 x 15
X 4



4
M8 x 15
X 4



5
M4 x 30
X 4



6
M5 x 30
X 4



7
M6 x 30
X 4



8
M8 x 30
X 4



9
SQUARE
WASHER
X 4



10
5mm
SPACER
X 4



11
10mm
SPACER
X 4



12
X 2
Lag Bolts



13
X 2
LAG
BOLT
WASHER



14
X 2
ANCHOR



15
X 2
STEEL
WASHER

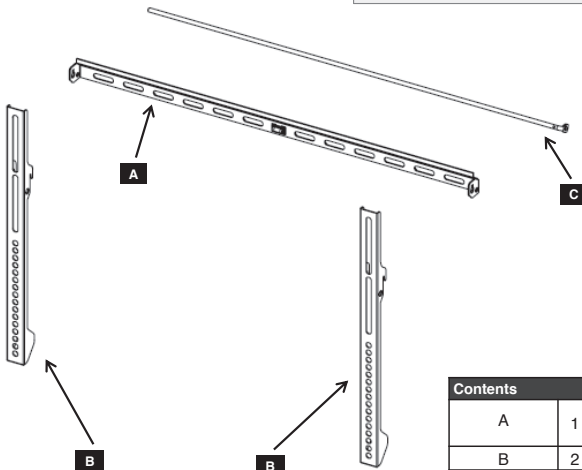
PRODUCT COMPONENT PARTS

Universal Adapter Range (W x H)

Minimum: 100mm x 100mm (Medium and Large)

Maximum: 400mm x 400mm (Medium)

Maximum: 600mm x 400mm (Large)



Contents		
A	1	Wall Plate (Bubble Level included)
B	2	Vertical Rails
C	1	Locking Bar

Safety Warning

Thank you for selecting this Helios mount for your installation. Before starting your installation please read and understand all of the directions.

If you are unsure or have any doubts about the installation please contact an installation professional or Helios customer support.

- Check the packing list and boxed products carefully to verify that there are no missing and/or damaged parts.
- Never use damaged or incorrect parts to do your installation as that may cause property damage or personal injury.
- Our customer service can quickly assist you with installation questions or parts request.
- Do not use this Helios mount for any purpose other than that specified by Helios. Helios is not liable for damage or injury caused by incorrect assembly, mounting or use.

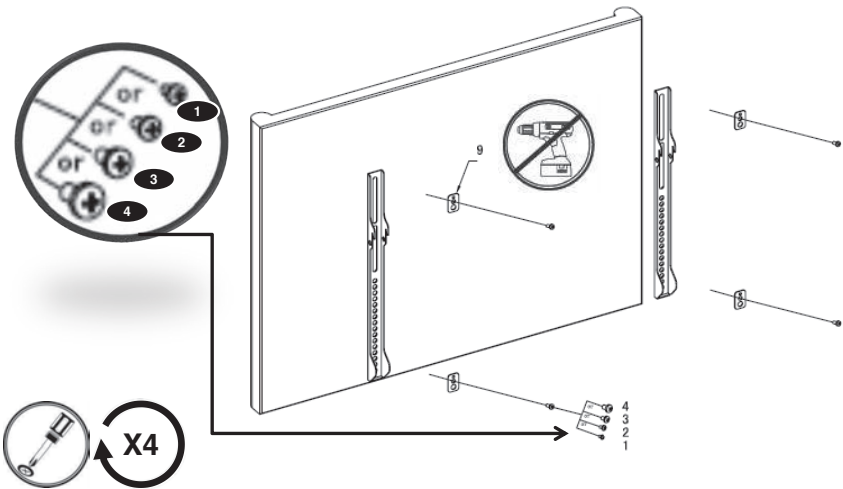
Helios customer support:
Hours: Monday - Friday, 9 AM to 6 PM
Phone Number: (866) 839-9187
Email: support@audiosolutions.com

Installation and Mounting Directions

STEP 1- FLAT BACK FLAT PANEL

Connect vertical rail to flat panel

Conecte el adaptador al monitor
Connectez l'adaptateur au moniteur

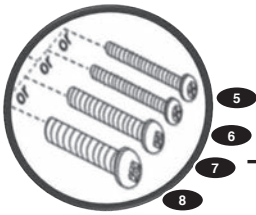


Installation and Mounting Directions

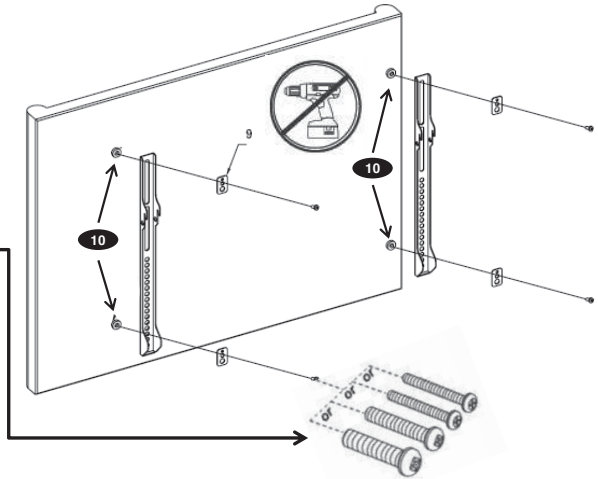
STEP 1- CURVED BACK FLAT PANEL

Connect vertical rail to flat panel

Conecte el adaptador al monitor
 Connectez l'adaptateur au moniteur



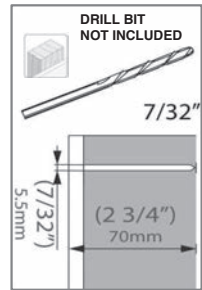
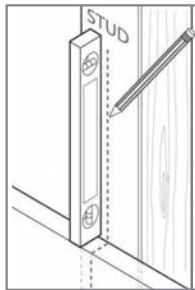
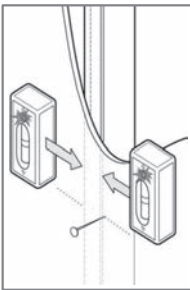
Spacers can also be used to provide clearance for cables and connectors.



STEP 2A- WOOD STUD INSTALLATION (CONCRETE INSTALLATION SKIP TO 2B)

Find stud and mark edge and center locations

Ubique el panel y marque las ubicaciones de los bordes y el centro.
 Repérez l'emplacement d'une poutre, puis marquez l'emplacement des bords et du centre de cette poutre.

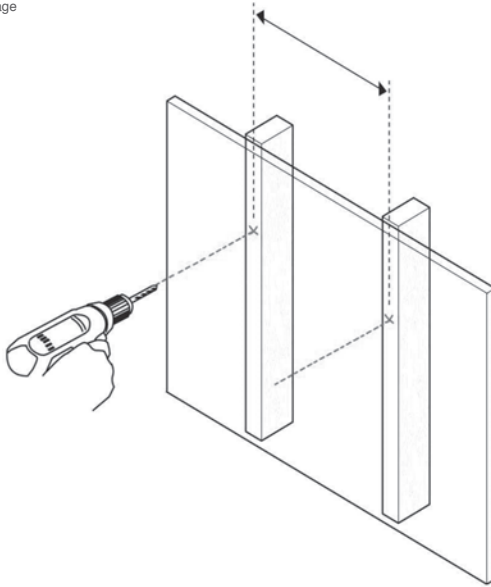


Installation and Mounting Directions

STEP 2A – DRILL PILOT HOLE

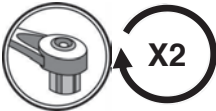
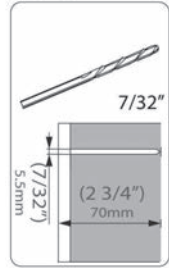
Drill pilot hole

Realice el agujero piloto
Percez le trou de guidage

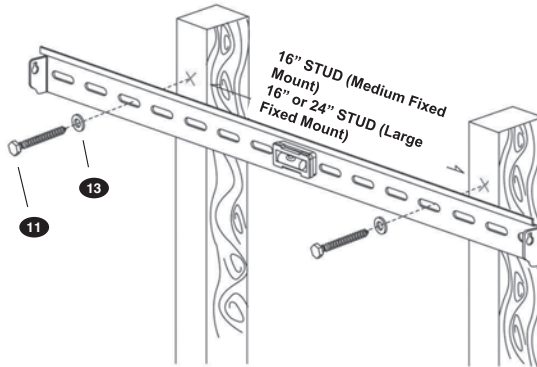


Wood Stud

Panel de madera
Poutre de bois



STEP 2A - WOOD STUD INSTALLATION CONTINUED

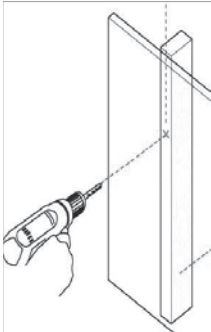


Installation and Mounting Directions

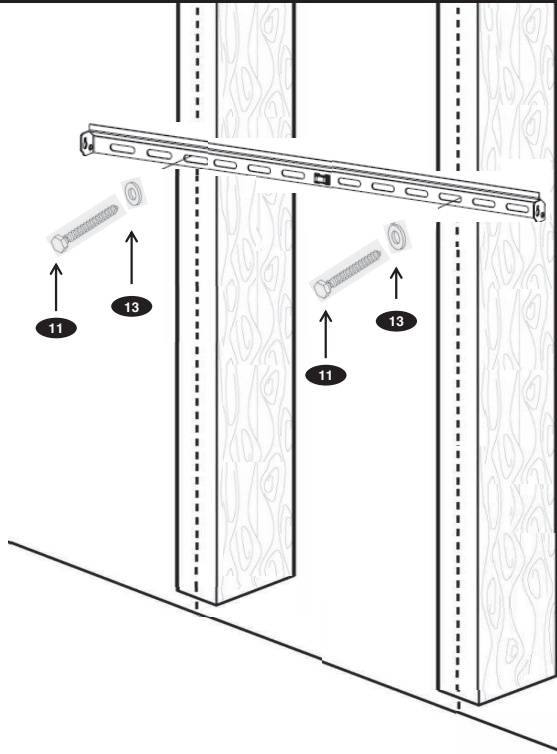
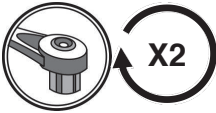
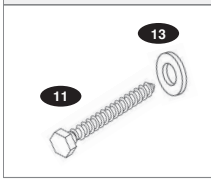
STEP 2A - MOUNT WALL PLATE

Mount wall plate

Coloque la placa de pared
Montez la plaque murale



Secure lag bolts with
steel washer to Wall
Plate



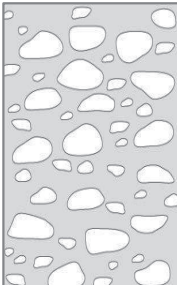
STEP 2B - SOLID CONCRETE INSTALLATION

Use wall plate to mark mounting locations/ drill pilot holes

Use la placa de pared para marcar el lugar donde se realizará la instalación
Utilisez la plaque murale pour marquer l'emplacement de montage

Solid Concrete

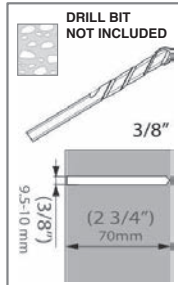
Concreto sólido
Béton massif



Drill Bit

S. broca
Foret

DRILL BIT
NOT INCLUDED



Level

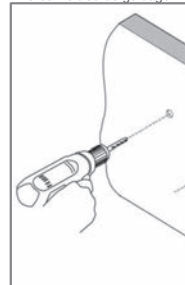
Nivelado
Level

LEVEL WALL PLATE
WITH INCLUDED
BUBBLE LEVEL AND
MARK HOLES FOR
DRILL BIT PILOT HOLE

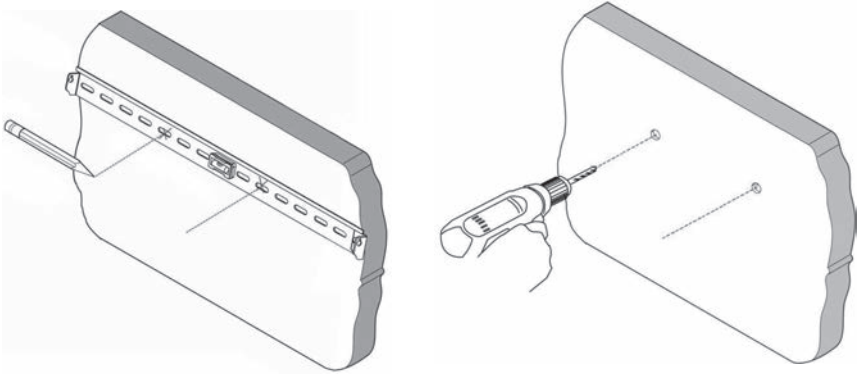


Drill pilot hole

Realice el agujero piloto
Percez le trou de guidage

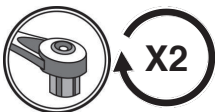
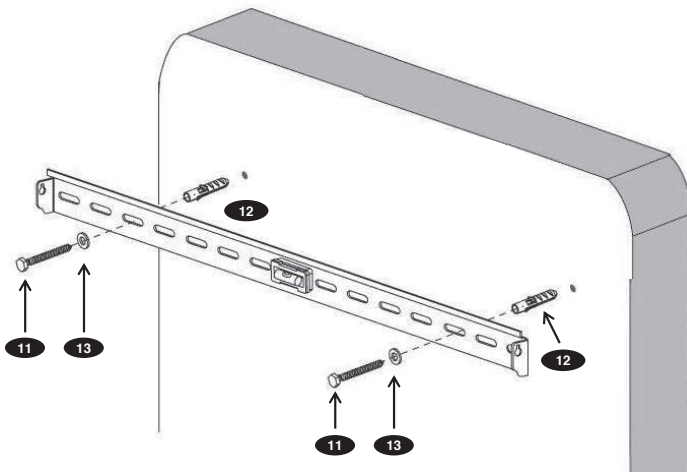


Installation and Mounting Directions



STEP 2B – SOLID CONCRETE CONTINUED

Mount wall plate
Coloque la placa de pared
Montez la plaque murale

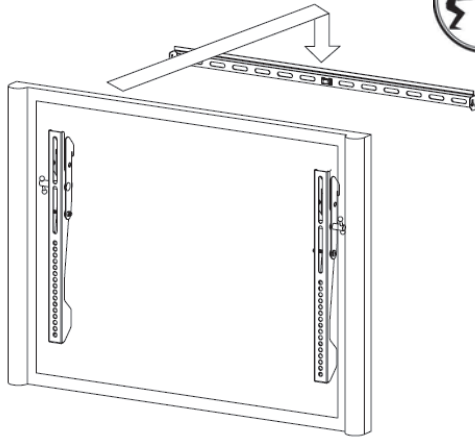


Installation and Mounting Directions

STEP 3

Hang vertical rails with monitor attached

Cuelgue con el monitor adherido.
Accrochez avec le moniteur installé.





Heavy, Assistance Required

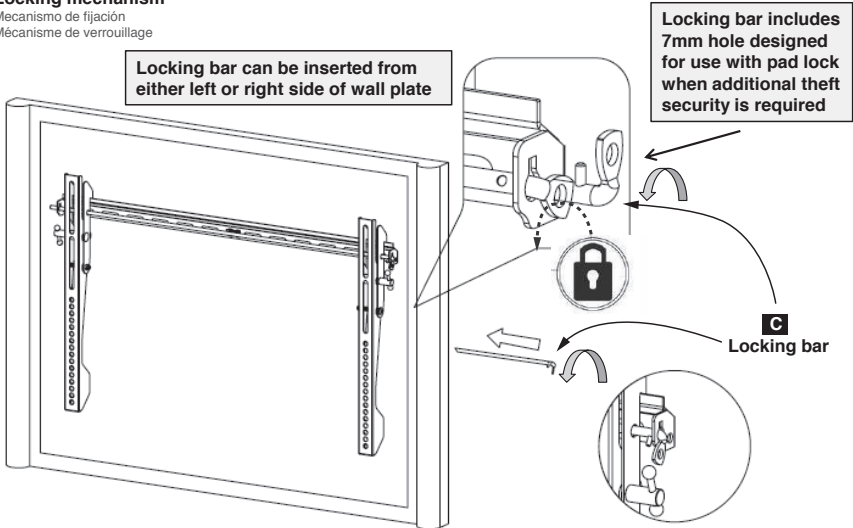
TRES LOURD ! Cette etape requiert deux personnes

¡PESADO! Necesitara ayuda para realizar esta operacion

STEP 4

Locking mechanism

Mecanismo de fijación
Mécanisme de verrouillage



HELIOS™

Metra

HOME THEATER GROUP

1-866-839-9187

www.metrahometheater.com

©2016 Metra Electronics Corporation, 460 Walker Street, Holly Hill, FL 32117-2699

Specifications are subject to change without notice.

All trademarks are the property of their respective owners.